

Symantec NetBackup OpsCenter Database Schema Document

Version
7.7



Contents

OpsCenter-specific Entities

- Jobs

 - Monitoring-specific Tables

 - Reporting specific tables

- Entites

 - How to use entity?

- Views

 - How to use OpsCenter Views?

- Policies

- Clients

- Special Notes

 - How to use timestamps in OpsCenter?

 - How to use lookup columns?

- OpsCenter Database Tables

- OpsCenter Database Views

- OpsCenter Database Functions

- OpsCenter Database Procedures

- Index

OpsCenter-specific Entities

Jobs

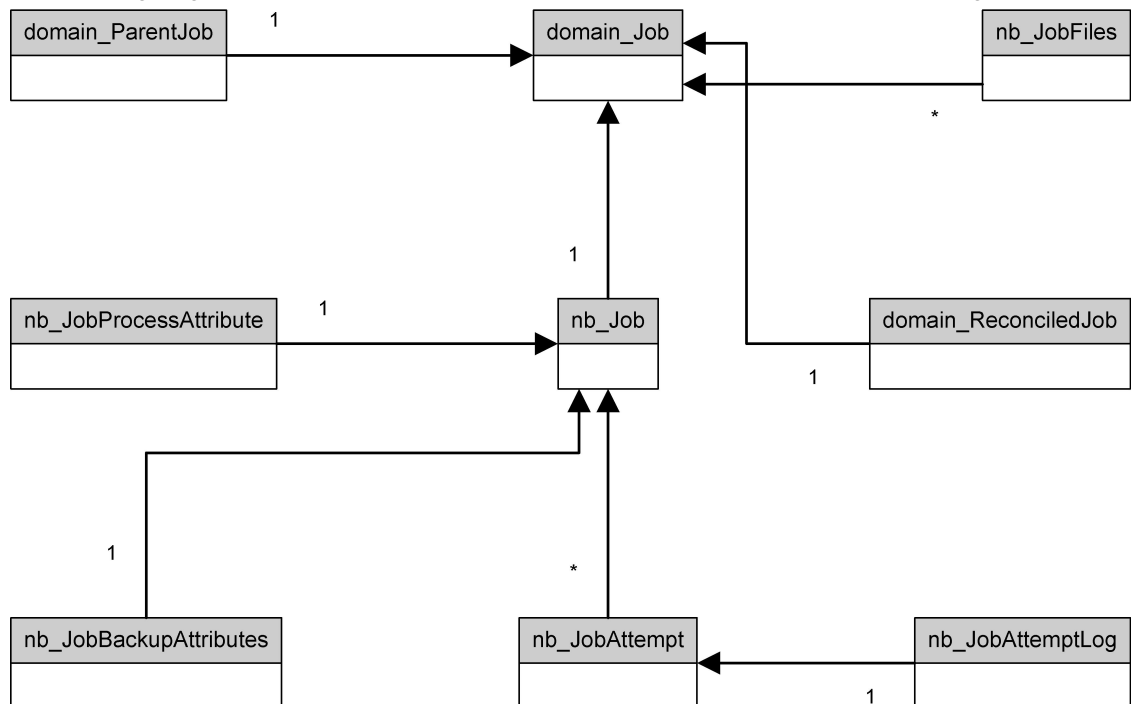
OpsCenter stores the NetBackup Jobs information in two sets of tables. One set of tables is used for the monitoring use case and the other set of tables is used for the reporting use case. The association between these two sets of tables is exactly the same as with other entities (Master Server, Policy, Client, and so on)

Monitoring-specific Tables

These tables store information of all jobs (Active, Queued, Waiting for Retry, Done, Missed, Incomplete, and so on) for the past 30 days.

- ☛ domain_Job
- ☛ domain_ParentJob
- ☛ domain_ReconciledJob
- ☛ nb_Job
- ☛ nb_JobFiles
- ☛ nb_JobProcessAttribute
- ☛ nb_JobAttempt
- ☛ nb_JobAttemptLog

The following diagram explains the association between the tables specific to the monitoring use case.



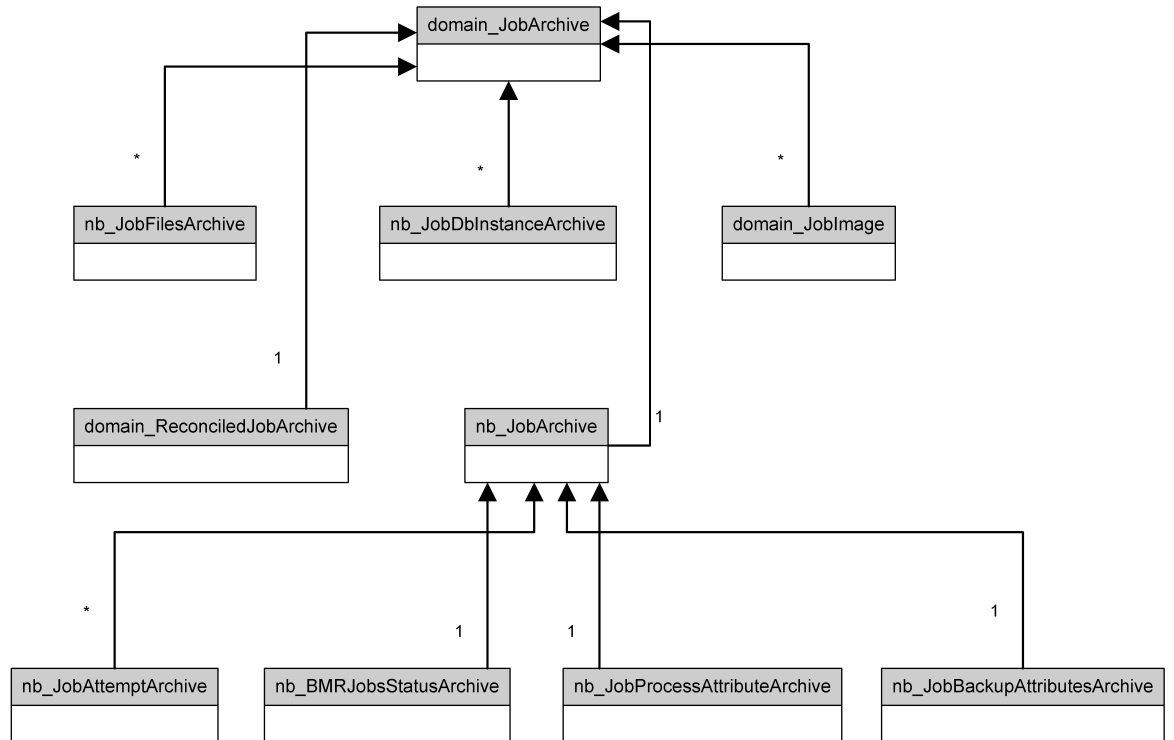
2 | OpsCenter-specific Entities

Reporting specific tables

These tables store information of all jobs that are run (Done, Missed, Incomplete, and so on). Information from these tables is deleted on the basis of Purge setting (Settings->Configuration->Data Purge).

- domain_JobArchive
- domain_ReconciledJobArchive
- domain_JobImage
- nb_JobFilesArchive
- nb_JobDbInstanceArchive
- nb_JobArchive
- nb_JobAttemptArchive
- nb_BMRJobsStatusArchive
- nb_JobProcessAttributeArchive
- nb_JobBackupAttributesArchive

The following diagram explains the association between the tables specific to the reporting use case.

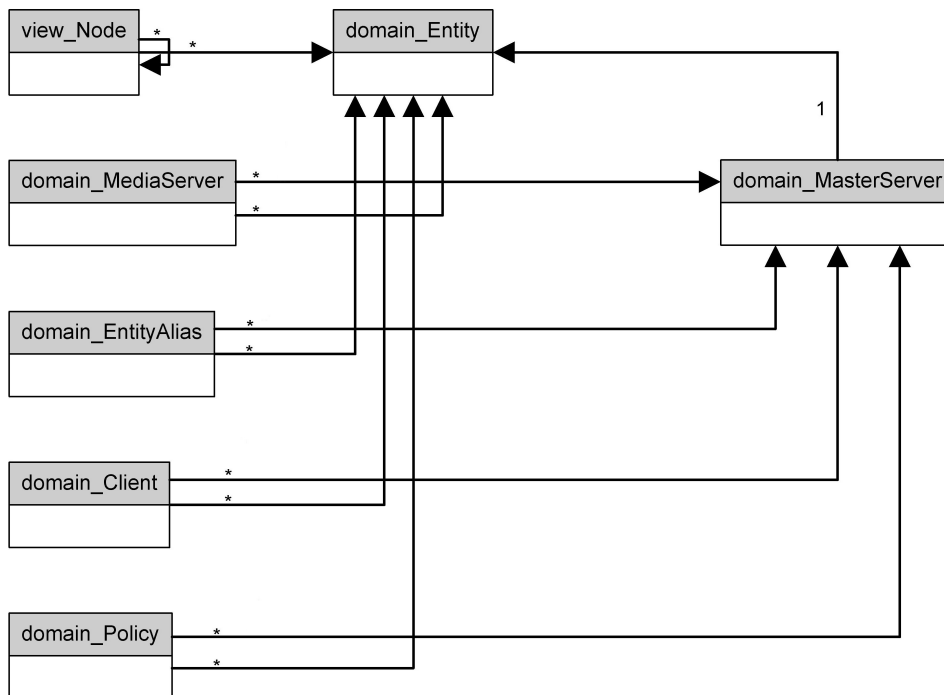


Entites

This table stores information related to Entites.

- ☛ domain_Entity
- ☛ domain_MasterServer
- ☛ domain_MediaServer
- ☛ domain_EntityAlias
- ☛ domain_Client
- ☛ domain_Policy

The following diagram explains how the entites tables are associated.



How to use entity?

There are two scenarios where you may want to use the information of entity tables.

1) When you want to get entity ID from the entity name.

Example Query

```
SELECT id FROM domain_entity WHERE name='ccs-win-qe-5' AND (entityType & 2) <> 0
```

Note : We can find out entityTypeId from lookup_EntityType table (for Master Server entityType is 2)

2) When you want to get all alias names from the entity name.

Example Query

```
SELECT alias FROM domain_EntityAlias WHERE entityId = (
    SELECT id FROM domain_entity WHERE name='ccs-win-qe-5' AND (entityType & 4) <> 0
)
```

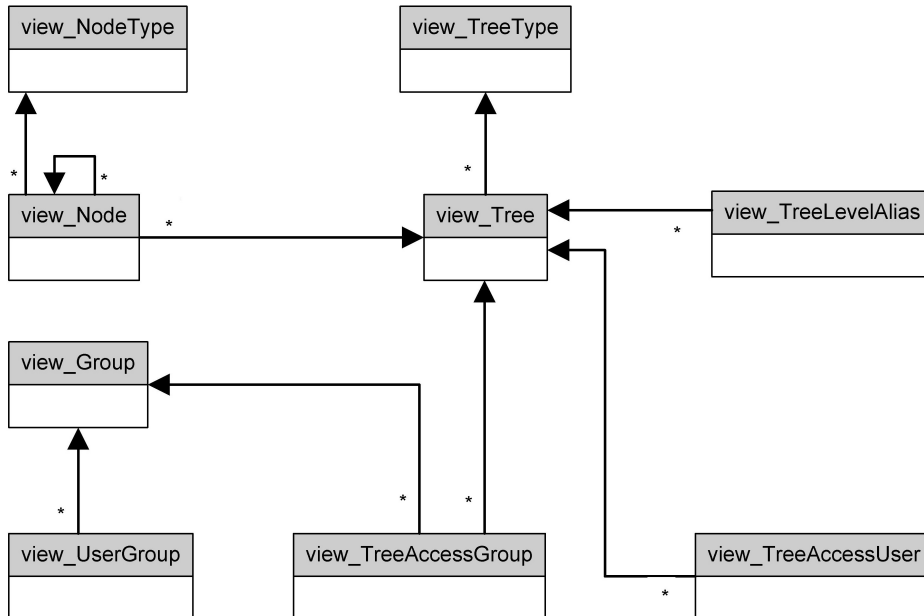
Note : We can find out entityTypeId from lookup_EntityType table (for Media Server entityType is 4)

Views

These tables store information related to OpsCenter Views [for more information on Views, refer to the OpsCenter Administrators Guide]. The "view_Tree" and "view_TreeType" tables contain the OpsCenter View (name, type, description, etc.) information. The "view_Node" and "view_NodeType" tables contain the Node (group, leaf of the view) information. Other tables contain user access information related to views.

- ☛ view_Tree
- ☛ view_TreeType
- ☛ view_Node
- ☛ view_NodeType
- ☛ view_Group
- ☛ view_UserGroup
- ☛ view_TreeAccessGroup
- ☛ view_TreeAccessUser
- ☛ view_TreeLevelAlias

The following diagram explains the relationships implicit in the Views functionality in OpsCenter.



How to use OpsCenter Views?

In certain cases, you may want to use OpsCenter Views in SQL.

Example Query

Simple report that shows all Jobs that are applicable to a specific Master Server View.

```

SELECT
    id as 'Job ID',
    clientName as 'Client',
    mediaServerName as 'Media Server',
    throughPut as 'Throughput'
FROM domain_JobArchive
WHERE
    masterServerId in (
        SELECT entityid FROM view_Node WHERE treeid = ?
    )
    
```

Note : We can find out tree id from below mentioned query for View('TEST' is OpsCenter View name in example)

```

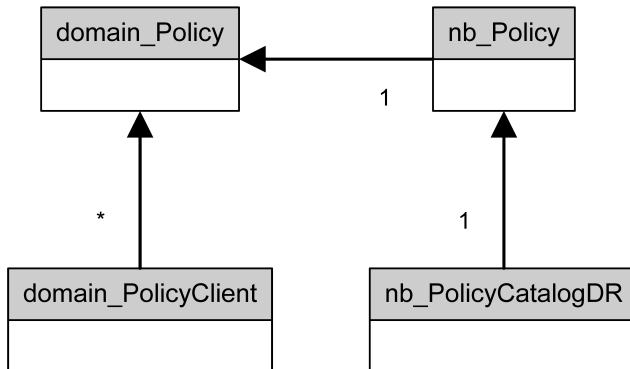
SELECT id FROM view_Tree WHERE name = 'TEST'
    
```

Policies

This table stores information related to NetBackup Policies.

- domain_Policy
- domain_PolicyClient
- nb_Policy
- nb_PolicyCatalogDR

The following diagram explains how the policy tables are associated.

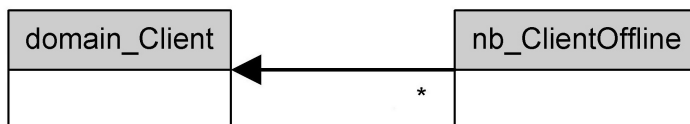


Clients

These tables store information related to NetBackup Clients.

- domain_Client
- nb_ClientOffline

The following diagram explains how the client tables are associated.



Special Notes

How to use timestamps in OpsCenter?

In certain cases, timestamps are stored as a BIGINT, which is measured in 100s of nanoseconds since the beginning of the Gregorian epoch. You will want to use the function UTCBigIntToNomTime() to convert this into a more readable format (yyyy-mm-dd HH:mm:ss). The UTCBigIntToNomTime() function will return the time in the OpsCenter Database Server Time Zone.

Example Query

Simple report that shows Jobs that ran in the last 24 hours

```
SELECT
  id as 'Job ID',
  clientName as 'Client',
  mediaServerName as 'Media Server',
  statusCode as 'Exit Status',
  UTCBigIntToNomTime(startTime) as 'Start Time',
  UTCBigIntToNomTime(endTime) as 'End Time',
  throughPut as 'Throughput'
FROM domain_JobArchive
WHERE
  DATEDIFF(hour,UTCBigIntToNomTime(endTime), GETDATE()) <= 24;
```

How to use lookup columns?

In certain cases, information (Job Type, Job Status, Job State, Master Server Status, Media Status, and so on) is stored in lookup tables. For display/sort/group by, you need to join information table and lookup table.

Example Query

Simple report that shows Jobs that ran in the last 24 hours; ordered by Job Type.

```
SELECT
  domain_JobArchive.id as 'Job ID',
  domain_JobArchive.clientName as 'Client',
  domain_JobArchive.mediaServerName as 'Media Server',
  domain_JobArchive.statusCode as 'Exit Status',
  UTCBigIntToNomTime(domain_JobArchive.startTime) as 'Start Time',
  UTCBigIntToNomTime(domain_JobArchive.endTime) as 'End Time',
  lookup_JobType.name as 'Job Type',
  domain_JobArchive.throughPut as 'Throughput'
FROM domain_JobArchive, lookup_JobType
WHERE
  domain_JobArchive.type=lookup_JobType.id
  AND DATEDIFF(hour,UTCBigIntToNomTime(domain_JobArchive.endTime), GETDATE()) <= 24
ORDER BY
  lookup_JobType.name
```


OpsCenter Database Tables

audit_Key

This table stores Audit key information

Column Name	Data Type	Nulls	Primary Key	Description
id	integer	N	Y	Unique identifier of audit key
masterServerId	integer	N	Y	Unique identifier of master server
tieInId	bigint	N	Y	Tie-in identifier
recordId	bigint	N	Y	Unique identifier of the audit record
typeId	integer	Y	N	Type identifier
value	long varchar	Y	N	Audit Value

Primary Tables

Foreign Key Columns	Primary Table	Primary Key Columns
masterServerId, tieInId, recordId	audit_Record	masterServerId, tieInId, recordId
typeId	lookup_AuditAttributeType	id

audit_Record

This table stores information related to audit records

Column Name	Data Type	Nulls	Primary Key	Description
masterServerId	integer	N	Y	Unique identifier for the master server
tieInId	bigint	N	Y	Tie-in identifier
recordId	bigint	N	Y	Unique identifier for the audit record
auditTime	bigint	Y	N	Audit time
categoryId	integer	Y	N	Identifier for the record category
hasChildren	bit	N	N	Indicates if the record has any child records
messageId	integer	Y	N	Unique identifier for the message
operationId	integer	Y	N	Unique identifier for the operation
parentRecordId	bigint	Y	N	Record identifier for the parent
reason	long varchar	Y	N	Audit reason
subCategoryId	integer	Y	N	Identifier for the record sub-category
userIdentityId	integer	Y	N	Identifier for the user identity

Primary Tables

Foreign Key Columns	Primary Table	Primary Key Columns
userIdentityId	audit_UserIdentity	id
masterServerId	domain_MasterServer	id
categoryId	lookup_AuditCategory	id
messageId	lookup_AuditMessage	id
operationId	lookup_AuditOperation	id
subCategoryId	lookup_AuditSubCategory	id

Foreign Tables

Primary Key Columns	Foreign Table	Foreign Key Columns
masterServerId, tieInId, recordId	audit_Key	masterServerId, tieInId, recordId
masterServerId, tieInId, recordId	audit_RecordAttribute	masterServerId, tieInId, recordId

audit_RecordAttribute

This table stores information related to the audit record attributes

Column Name	Data Type	Nulls	Primary Key	Description
id	integer	N	Y	Unique identifier for the record attribute
masterServerId	integer	N	Y	Unique identifier for the master server
tieInId	bigint	N	Y	Tie-in identifier
recordId	bigint	N	Y	Unique identifier for the record
attributeName	varchar(255)	Y	N	Name of the record attribute
newValue	long varchar	Y	N	New value of the record attribute
oldValue	long varchar	Y	N	Old value of the record attribute
typeId	integer	Y	N	Type identifier

Primary Tables

Foreign Key Columns	Primary Table	Primary Key Columns
masterServerId, tieInId, recordId	audit_Record	masterServerId, tieInId, recordId
typeId	lookup_AuditAttributeType	id

audit_UserIdentity

This table stores information related to user identity

Column Name	Data Type	Nulls	Primary Key	Description
id	integer	N	Y	Unique identifier for the user
domainName	varchar(255)	Y	N	Domain Name
domainType	integer	Y	N	Domain Type
userName	varchar(255)	Y	N	User name

Primary Tables

Foreign Key Columns	Primary Table	Primary Key Columns
domainType	lookup_DomainType	id

Foreign Tables

Primary Key Columns	Foreign Table	Foreign Key Columns
id	audit_Record	userIdentityId

domain_Client

This table stores client information.

Column Name	Data Type	Nulls	Primary Key	Description
masterServerId	integer	N	Y	Unique identifier of master server
name	varchar(255)	N	Y	Client name
Architecture	varchar(255)	Y	N	Client architecture
deleted	bit	N	N	Identifies if client is deleted or not. 1 indicates client is deleted.
hardware	integer	Y	N	Client hardware
hardwareDescription	varchar(255)	Y	N	Client hardware description
HostIdentifier	varchar(255)	Y	N	Not in use, hide this column in report
id	integer	Y	N	Unique identifier of client in OpsCenter
ip	varchar(255)	Y	N	Client ip address
isActive	integer	Y	N	Identifies if client is active or not. 1 indicates client is active.
isDiscovered	integer	Y	N	Identifies if client is discovered later during any other entity's data collection. 1 specifies client is discovered.
isInfoPresent	integer	Y	N	Identifies if all the client information like osType, hardware, product, version, osDescription, hardwareDescription is present or not. 1 indicates that it is present
isMerged	integer	Y	N	Identifies if client is merged or not. 1 indicates client is merged.
isPolicyClient	integer	Y	N	Identifies if client is part of one or more policy. 1 indicates that client is part of one or more policies.
isProtected	integer	Y	N	Identifies if client is already backed up or not. 1 indicates client is already backed up.
isValid	bit	N	N	Identifies if client is valid or not. 1 indicates client is valid.
isVirtual	integer	Y	N	Identifies if client is virtual client or not. 1 indicates client is a virtual client.
lastUpdatedTime	bigint	Y	N	Last updated time of client
osDescription	varchar(255)	Y	N	Client operating system description
osType	integer	N	N	Client operating system type
product	integer	Y	N	Client product
retired	bit	N	N	Identifies if client is retired or not. 1 indicates client is retired.
versionLabel	varchar(255)	Y	N	Client version

Primary Tables

Foreign Key Columns	Primary Table	Primary Key Columns
id	domain_Entity	id
masterServerId	domain_MasterServer	id
osType	lookup_OS	id
product	lookup_Product	id

Foreign Tables

Primary Key Columns	Foreign Table	Foreign Key Columns
masterServerId, name	domain_FileSystem	masterServerId, clientName
masterServerId, name	domain_Job	masterServerId, clientName
masterServerId, name	domain_JobArchive	masterServerId, clientName
masterServerId, name	domain_Log	masterServerId, clientName
masterServerId, name	domain_PolicyClient	masterServerId, clientName
masterServerId, name	domain_ScheduledJob	masterServerId, clientName
masterServerId, name	domain_SkippedFileArchive	masterServerId, clientName
masterServerId, name	nb_ClientOffline	masterServerId, clientName

domain_ClientImageCollectionLevel

This table stores client image collection level information.

Column Name	Data Type	Nulls	Primary Key	Description
masterServerId	integer	N	Y	Unique identifier of master server
name	varchar(255)	N	Y	Client name
deleted	bit	N	N	Identifies if client is deleted or not. 1 indicates client is deleted
id	integer	Y	N	Unique identifier of client image collection level in OpsCenter
lastSyncTime	bigint	Y	N	Time the client was synced with NetBackup
oldImageCollectionLevel	integer	N	N	image collection level which can be between 0 to 3. 0 indicates that no images are collected for particular client, 1 indicates that images from last 7 days are collected, 2 indicates that images from last 30 days are collected, 3 indicates that image collection is completed.

Primary Tables

Foreign Key Columns	Primary Table	Primary Key Columns
masterServerId	domain_MasterServer	id
oldImageCollectionLevel	lookup_CollectionLevel	id

domain_DataClassification

This table holds data for dataclassification.

Column Name	Data Type	Nulls	Primary Key	Description
masterServerId	integer	N	Y	Master server on which Data Classification is created
name	varchar(255)	N	Y	Name of the data classification
deleted	bit	N	N	A yes/no property indicates if the media has been deleted. 1(true) indicates deleted and 0(Zero)(false) indicates not deleted.
description	long varchar	Y	N	Description for the Data Classification
id	varchar(255)	Y	N	Data Classification Id
rank	integer	Y	N	Category of the Data classification

Primary Tables

Foreign Key Columns	Primary Table	Primary Key Columns
masterServerId	domain_MasterServer	id

Foreign Tables

Primary Key Columns	Foreign Table	Foreign Key Columns
masterServerId, name	domain_Image	masterServerId, dataClassificationName
masterServerId, name	domain_Policy	masterServerId, dataClassificationId

domain_DiskPool

This table stores disk pool attributes used by reporting in OpsCenter.

Column Name	Data Type	Nulls	Primary Key	Description
masterServerId	integer	N	Y	Unique identifier for Master Server
name	varchar(255)	N	Y	Specifies the name of the disk pool.
storageServerName	varchar(255)	N	Y	Specifies the name of the storage server.
serverType	varchar(255)	N	Y	Specifies the storage server type. For OpenStorage, the server type specified depends on the vendor name.
highWaterMark	integer	N	N	Specifies the percentage of space used. This percentage determines when NetBackup can assign the jobs that write data to the storage unit.
isValid	bit	N	N	Specifies if the disk pool is a valid and accessible disk pool. 0 (zero) indicates False that is "Not Available" and 1 indicates True that is "Available".
lowWaterMark	integer	N	N	Specifies the percentage of space used that determines when the diskpool disk pool is full. NetBackup does not write data until the low watermark is reached.
rawSize	bigint	N	N	Specifies the raw, unformatted size of the storage in the disk pool
status	integer	N	N	Displays the status: up or down.
usableSize	bigint	N	N	Specifies the estimated amount of disk space available for storage after file metadata overhead is taken into account.
usedCapacity	bigint	N	N	Specifies the amount of storage space in use.
volumeCount	integer	N	N	Specifies the number of disk volumes in the disk pool.

Primary Tables

Foreign Key Columns	Primary Table	Primary Key Columns
masterServerId	domain_MasterServer	id
status	lookup_DiskPoolStatus	id

Foreign Tables

Primary Key Columns	Foreign Table	Foreign Key Columns
masterServerId, name, storageServerName, serverType	domain_DiskPoolHistory	masterServerId, name, storageServerName, serverType
masterServerId, name, storageServerName, serverType	nb_DiskPool	masterServerId, name, storageServerName, serverType

domain_DiskPoolHistory

This table stores the attributes for disk pool historical data.

Column Name	Data Type	Nulls	Primary Key	Description
uniqueId	integer	N	Y	This attribute represents a unique identifier for disk pool.
highWaterMark	integer	N	N	Specifies the percentage of space used. This percentage determines when NetBackup can assign the jobs that write data to the storage unit.
isCurrent	bit	N	N	A yes/no property that determines if the disk pool exists in the current configuration (and not historical). 1(true) indicates disk pool exists in current configuration and 0(Zero)(false) indicates no.
lowWaterMark	integer	N	N	Specifies the percentage of space used that determines when the disk pool is full. NetBackup does not write data until the low watermark is reached.
masterServerId	integer	N	N	Unique identifier for Master Server
name	varchar(255)	N	N	Specifies the name of the disk pool.
rawSize	bigint	N	N	Specifies the raw, unformatted size of the storage in the disk pool.
serverType	varchar(255)	N	N	Specifies the storage server type. For OpenStorage, the server type specified depends upon the vendor name.
snapshotTime	bigint	N	N	This attribute represents a date/time that all the disk pool information was collected from the backup application to OpsCenter. History is kept so that the history of the state of all the disk pool can be determined.
status	integer	N	N	Displays the status: up or down
storageServerName	varchar(255)	N	N	Specifies the name of the storage server.
usableSize	bigint	N	N	Specifies the estimated amount of disk space available for storage after file metadata overhead is taken into account.
usedCapacity	bigint	N	N	Specifies the amount of storage space in use.
volumeCount	integer	N	N	Specifies the number of disk volumes in the disk pool.

Primary Tables

Foreign Key Columns	Primary Table	Primary Key Columns
masterServerId, name, storageServerName, serverType	domain_DiskPool	masterServerId, name, storageServerName, serverType

domain_Entity

This table holds information of all the domain entities in OpsCenter.

Column Name	Data Type	Nulls	Primary Key	Description
id	integer	N	Y	Unique identifier of the entity in OpsCenter.
entityType	integer	Y	N	The type of entity in OpsCenter like Master Server, Media Server, Report. It references lookup_entityType table.
name	long varchar	Y	N	The name of the entity.
productType	integer	N	N	The id of the product in OpsCenter like Symantec NetBackup, Symantec NetBackup Puredisk which is applicable for this entity.

Primary Tables

Foreign Key Columns	Primary Table	Primary Key Columns
entityType	lookup_EntityType	id
productType	lookup_Product	id

Foreign Tables

Primary Key Columns	Foreign Table	Foreign Key Columns
id	domain_Client	id
id	domain_EntityAlias	entityId
id	domain_FileSystem	id
id	domain_MasterServer	id
id	domain_MediaServer	id
id	domain_Policy	entityId
id	managedObject_EntityAttributeValue	entityId
id	view_Node	entityId

domain_EntityAlias

This table holds information of the aliases in OpsCenter.

Column Name	Data Type	Nulls	Primary Key	Description
entityId	integer	N	Y	The Id of the entity which is aliased.
alias	long varchar	N	Y	The alias name of the entity.
masterServerId	integer	N	Y	Unique identifier of the master server in OpsCenter.

Primary Tables

Foreign Key Columns	Primary Table	Primary Key Columns
entityId	domain_Entity	id
masterServerId	domain_MasterServer	id

domain_FileSystem

This table holds information of the File System.

Column Name	Data Type	Nulls	Primary Key	Description
masterServerId	integer	N	Y	Unique identifier for Master Server in OpsCenter.
clientName	varchar(255)	N	Y	Host name of Client
name	long varchar	N	Y	Name of the File System
clientId	integer	Y	N	Unique identifier of client host in OpsCenter.
id	integer	Y	N	Unique identifier of the file system in OpsCenter.

Primary Tables

Foreign Key Columns	Primary Table	Primary Key Columns
masterServerId, clientName	domain_Client	masterServerId, name
id	domain_Entity	id

domain_Image

This table stores information about Backup Images.

Column Name	Data Type	Nulls	Primary Key	Description
masterServerId	integer	N	Y	Master Server Unique Id
id	varchar(255)	N	Y	A unique ID or key for every backup stored in the catalog
backupCopy	integer	Y	N	Copy number of the image
backupStatus	integer	Y	N	Status of the backup image
blockIncrFullTime	bigint	Y	N	Block level incremental backup time
catarc	integer	Y	N	Catalog Archive
compressionState	integer	Y	N	Compression State
creatorName	varchar(255)	Y	N	Name of the Creator
dataClassificationId	varchar(255)	Y	N	Data Classification Id
dataClassificationName	varchar(255)	Y	N	Data Classification Name
deletionTime	bigint	N	N	Deletion time
encryptionState	integer	Y	N	A yes/no property of a backup image if it was encrypted between the backup client and backup media server.
existsValue	integer	Y	N	Flag to determine valid/invalid image
expirationTime	bigint	Y	N	The date and time that a backup image will expire
extSecInfo	bit	N	N	Extra security info
fileCount	integer	Y	N	The actual number of files that are stored within a backup image
filesFileName	long varchar	Y	N	Meta data file name
filesFileSize	bigint	Y	N	Meta data file size
fileSysOnly	bit	N	N	Flag for System-Only attribute
IFRRFR	bit	N	N	Flag for Individual File restore from raw
imageAttribute	integer	Y	N	Attribute of Image
imageDumpLevel	integer	Y	N	Dump level of Image
indexingStatus	integer	Y	N	Status of indexing (DEPRECATED since OpsCenter 7.7)
isFFCompressed	bit	N	N	flag for Is-File's file (meta file) is compressed
isImageOnHold	bit	N	N	flag for image is on hold
isValid	bit	N	N	flag to determine if image is valid
jobId	numeric(42,0)	Y	N	Image is created with this job-id
keyword	long varchar	Y	N	Image is created with this policy keyword
mpx	integer	Y	N	Multiplexing value
name1	varchar(255)	Y	N	Internal field
numFragments	integer	Y	N	Number of fragments in this Image
numResumes	integer	Y	N	Number of time Image creation resumed
objDesc	long varchar	Y	N	Internal field
optionsValue	integer	Y	N	Internal field
pfiType	integer	Y	N	Persistent Frozen Image type
policyEntityId	integer	Y	N	Policy Entity Id

Column Name	Data Type	Nulls	Primary Key	Description
policyName	varchar(255)	Y	N	Policy Name
policyType	integer	Y	N	Policy Type
previousBackupImage	varchar(255)	Y	N	Previous Backup Image
previousBlockIncrTime	bigint	Y	N	Previous block incremental time
primaryCopy	integer	Y	N	flag to determine if it is a Primary Copy
proxyClient	varchar(255)	Y	N	Name of the proxy-client used
requestPid	integer	Y	N	Requester's process Id
resumeExpiration	bigint	Y	N	Expiration resumes at this time
scheduleLabel	varchar(255)	Y	N	Label of the schedule used in this Image creation
scheduleType	integer	Y	N	Type of the schedule used in this Image creation
sizeOfImageInKBs	bigint	Y	N	Size of image in KB
ssCompleted	integer	N	N	flag for Life-Cycle policy execution is completed
ssName	varchar(255)	Y	N	Life-Cycle policy name
ssVersion	integer	N	N	Life-Cycle policy version
streamNumber	integer	Y	N	Stream number
swVersion	varchar(255)	Y	N	Software version
tirExpiration	bigint	Y	N	Expiration of True Image Restore
TIRStatus	integer	Y	N	The true image restore status for a backup image
type	integer	Y	N	The type of backup image. For example, Regular, Catalog, and so on.
unexpiredCopyCount	integer	Y	N	The number of fragments that make up a complete unexpired backup.
updatedAtTime	bigint	Y	N	Image update time
writeEndTime	bigint	Y	N	Image write time
writeStartTime	bigint	Y	N	Write start time of the image data

Primary Tables

Foreign Key Columns	Primary Table	Primary Key Columns
masterServerId, dataClassificationName	domain_DataClassification	masterServerId, name
masterServerId	domain_MasterServer	id

Foreign Tables

Primary Key Columns	Foreign Table	Foreign Key Columns
masterServerId, id	domain_ImageCopy	masterServerId, imageId
masterServerId, id	domain_JobImage	masterServerId, imageId
masterServerId, id	domain_SLPIImage	masterServerId, id

domain_ImageCopy

This table contains metadata of the image copied.

Column Name	Data Type	Nulls	Primary Key	Description
masterServerId	integer	N	Y	Unique identifier of the master server
imageId	varchar(255)	N	Y	Unique identifier of the image which was copied
id	integer	N	Y	Unique identifier of the image copy
copyDate	bigint	Y	N	Date when the image was copied
expirationTime	bigint	Y	N	The expiration time when Netback expires the record of this backup. The time is for the corresponding copy number, not the expiration of the first copy.
isPrimary	bit	N	N	Is this copy of the image the primary copy.
isValid	bit	N	N	Is this a valid copy of the image
mediaServerId	integer	Y	N	Unique identifier of the media server
mediaServerName	varchar(255)	Y	N	Name of the media server
multiplexedState	integer	Y	N	Flag that indicates whether this copy is multiplexed: Y or N (applies only when fragment number is 1)
onHold	bit	N	N	Is this image copy on legal hold currently
retentionLevel	integer	Y	N	The retention level determines how long to retain backups and archives. The retention_level is an integer between 0 and 24 (default level is 1).
sizeInBytes	bigint	Y	N	Total size of the copy in kilobytes
slpDestTag	long varchar	Y	N	Storage lifecycle destination tag of the copy
ssTryToKeepDate	bigint	Y	N	Date till when the copy should be kept if possible that is the desired retention time.
storageUnitType	integer	Y	N	Type of storage unit responsible to keep this copy. For example, Disk, Tape, and so on.
unexpiredFragmentCount	integer	Y	N	Allowed fragment count of the image before it expires.

Primary Tables

Foreign Key Columns	Primary Table	Primary Key Columns
masterServerId, imageId	domain_Image	masterServerId, id
masterServerId, mediaServerName	domain_MediaServer	masterServerId, name
masterServerId, retentionLevel	nb_RetentionLevel	masterServerId, id

Foreign Tables

Primary Key Columns	Foreign Table	Foreign Key Columns
masterServerId, imageId, id	domain_ImageCopyFormat	masterServerId, imageId, copyId
masterServerId, imageId, id	domain_ImageFragment	masterServerId, imageId, copyId
masterServerId, imageId, id	domain_SLPIImageCopy	masterServerId, imageId, id

domain_ImageCopyFormat

This table stores data format of the Image Copy

Column Name	Data Type	Nulls	Primary Key	Description
masterServerId	integer	N	Y	Unique identifier of master server
imageId	varchar(255)	N	Y	Unique identifier of the image which was copied
copyId	integer	N	Y	Unique identifier of the image copy
dataFormat	integer	Y	N	data format in which the image copy is written e.g. snapshot, tar

Primary Tables

Foreign Key Columns	Primary Table	Primary Key Columns
masterServerId, imageId, copyId	domain_ImageCopy	masterServerId, imageId, id
dataFormat	lookup_CopyFormat	id

domain_ImageFragment

This table keeps data about the fragments of an image.

Column Name	Data Type	Nulls	Primary Key	Description
masterServerId	integer	N	Y	Unique identifier of the master server
imageId	varchar(255)	N	Y	Unique identifier of the image to which this fragment belongs
copyId	integer	N	Y	Copy number of this fragment
id	integer	N	Y	Unique identifier of the image fragment
blockSize	integer	Y	N	The size of the data blocks used to write the backup. When the backups are multiplexed, the blocks can vary between backups on the same volume.
checkPointValue	integer	Y	N	The checkpoint value of the current fragment, for backups where checkpoint restart is enabled, fragments before and including the last checkpoint value is retained, the fragments after that checkpoint value are discarded.
density	integer	Y	N	The density of the device that produced the backup.
deviceWrittenOn	bigint	Y	N	The device where the backup was written. The value in this column represents the drive index that is configured in Media Manager.
diskMediaId	varchar(255)	Y	N	Media id of the disk where the fragment resides
expirationTime	bigint	Y	N	The expiration time when Netback expires the record of this backup. The time is for the corresponding copy number, not the expiration of the first copy.
fileNumber	integer	Y	N	The file number on the media.
flags	integer	Y	N	Attributes of the image fragment
isTIR	bit	N	N	Indicates whether this is a true image restore backup.
mediaDate	bigint	Y	N	Date that Netbackup allocated the media for use by Netbackup
mediaDescription	long varchar	Y	N	Description of the media where the fragment resides
mediaHost	varchar(255)	Y	N	Host details of the media
mediaId	varchar(255)	Y	N	The media Id that contains this backup.
mediaSeqNumber	integer	Y	N	Sequence of the media
mediaSubType	integer	Y	N	Media sub type
mediaType	integer	Y	N	currently only used when media_type = MTypeDISK
mpx	integer	Y	N	Whether the backup was multiplexed. Yes indicates that the backup was multiplexed.
offset	integer	Y	N	The byte offset on the media where the backup begins. The value applies to optical disk only. It does not apply to tape and magnetic disks.
remainder	bigint	Y	N	The bytes that were written beyond the kilobytes that were filed. The size of the fragment is exactly as follows: Kilobytes X 1024 + remainder.
resumeNumber	integer	Y	N	The resume number of the image fragment
size	bigint	Y	N	The number of kilobytes of the fragment

Primary Tables

Foreign Key Columns	Primary Table	Primary Key Columns
masterServerId, imageld, copyId	domain_ImageCopy	masterServerId, imageld, id
masterServerId, diskMediaId	nb_DiskVolume	masterServerId, diskMediaId

domain_Job

This table stores information pertaining to all jobs as seen in NetBackup Activity Monitor for a default of 30 days.

Column Name	Data Type	Nulls	Primary Key	Description
masterServerId	integer	N	Y	The unique identifier of the master server that executed the backup job.
clientName	varchar(255)	N	Y	The name of a host being backed up as seen by a backup job
id	numeric(42,0)	N	Y	A unique number for each backup job in a backup domain that identifies a backup job.
accelerationRatio	double	Y	N	For fast backup jobs, this specifies the percentage of data that was backed-up.
attemptCount	integer	Y	N	The number of times a backup job had to be attempted before being successful or reaching the maximum allowable number of retries.
backupType	integer	N	N	The type of backup which triggered this job. For example, Immediate, Scheduled, and so on.
bytesWritten	bigint	Y	N	The amount in bytes that a backup job transferred from client to media server, for backing up.
clientId	integer	Y	N	The unique identifier of the host being backed up
destClientId	integer	Y	N	The unique identifier of the alternate host where the image is been restored.
destClientName	varchar(255)	Y	N	The name of the alternate host where the image is been restored.
endTime	bigint	Y	N	The date and time when a backup ended
expirationTime	bigint	Y	N	The time at which this job (the image that the job generates) will expire.
filesBackedUp	bigint	Y	N	The number of files backed up during a backup job.
groupId	numeric(42,0)	Y	N	The unique identifier of the first job which spawned this collection of multistream backups, the value is zero for non-multistream backups.
isAcceleratorEnabled	bit	Y	N	Flag to determine if this is a fast backup job.
isDeduped	bit	N	N	Flag to determine if this is a Pure Disk backup job
isValid	bit	N	N	Identifier for a valid job, set to true for entries created during job data collection. For job entries created during Image data collection this flag is set to False.
lastUpdatedTime	bigint	N	N	The time when the job record was last updated in the database.
mediaServerId	integer	Y	N	The unique identifier of the media server that performed the backup job.
mediaServerName	varchar(255)	Y	N	The name of the media server that performed the backup job.
parentJobId	numeric(42,0)	Y	N	The identifier of the parent job in case of mutistream backups
policyDomainName	varchar(255)	Y	N	Applicable for TSM backups, used for managing a set of TSM client nodes. It can contain multiple Policy sets managing a subset of the TSM client nodes.
policyId	integer	Y	N	The unique identifier of the backup policy
policyName	varchar(255)	Y	N	The name of the backup policy as seen by a backup job
policyType	integer	Y	N	The type of policy as seen by a backup job
policyVersionNo	integer	Y	N	An internal identifier used for mapping the snapshot of a policy used for this backups

Column Name	Data Type	Nulls	Primary Key	Description
preSISFileCount	bigint	N	N	The number of files that are processed in a PureDisk backup
preSISSize	bigint	N	N	The size in bytes of a PureDisk backup job before deduplication
scheduleName	varchar(255)	Y	N	The name of a schedule which resides within a policy as seen by a backup job
scheduleType	integer	Y	N	The Schedule Type for the backup job
secondaryId	numeric(42,0)	Y	N	When a unique job number is not enough to distinguish a job, a secondary ID may be used. For NetBackup, this field is the job Process ID.
srcMediaServerId	integer	Y	N	The unique identifier of the media server from where data for duplication is read.
srcMediaServerName	varchar(255)	Y	N	The name of the media server from where data for duplication is read
startTime	bigint	Y	N	The date and time that a backup started
state	integer	Y	N	The state of the backup job. For example, Queued, Completed, Running, and so on.
statusCode	bigint	Y	N	The exit code for a particular backup job
storageUnitType	integer	Y	N	The type of storage unit used and seen by a backup job
subType	integer	Y	N	Its type of backup. Refer to lookup_JobSubType.
throughput	bigint	Y	N	The speed of a backup job in Kbytes/sec. This is the speed of the overall job. This takes into account the transfer time from client to media server, and media server to disk or tape storage. It is not just the speed of a tape drive.
transportType	integer	Y	N	The transport that was used to move the backup from the backup client to the media server.
type	integer	Y	N	The type of operation done by the backup product.

Primary Tables

Foreign Key Columns	Primary Table	Primary Key Columns
masterServerId, clientName	domain_Client	masterServerId, name
masterServerId	domain_MasterServer	id
masterServerId, mediaServerName	domain_MediaServer	masterServerId, name
masterServerId, srcMediaServerName	domain_MediaServer	masterServerId, name
masterServerId, policyName, policyDomainName, policyVersionNo	domain_Policy	masterServerId, name, policyDomainName, versionNo
masterServerId, policyName, policyDomainName, policyVersionNo, scheduleName	domain_Schedule	masterServerId, policyName, policyDomainName, policyVersionNo, name
backupType	lookup_BackupType	id
state	lookup_JobState	id
statusCode	lookup_JobStatusCode	id
subType	lookup_JobSubType	id
type	lookup_JobType	id
policyType	lookup_PolicyType	id
scheduleType	lookup_ScheduleType	id

Foreign Key Columns	Primary Table	Primary Key Columns
storageUnitType	lookup_StorageUnitType	id
transportType	lookup_TransportType	id

Foreign Tables

Primary Key Columns	Foreign Table	Foreign Key Columns
masterServerId, clientId, id	domain_ParentJob	masterServerId, clientId, id
masterServerId, clientId, id	domain_ReconciledJob	masterServerId, clientId, id
masterServerId, clientId, id	nb_Job	masterServerId, clientId, id
masterServerId, clientId, id	nb_JobFiles	masterserverId, clientId, jobId

domain_JobArchive

This table stores information pertaining to only completed jobs as seen in NetBackup Activity Monitor for a default of 420 days.

Column Name	Data Type	Nulls	Primary Key	Description
masterServerId	integer	N	Y	The unique identifier of the master server that executed the backup job.
clientName	varchar(255)	N	Y	The name of a host being backed up as seen by a backup job
id	numeric(42,0)	N	Y	A unique number for each backup job in a backup domain that identifies a backup job
accelerationRatio	double	Y	N	For fast backup jobs, this specifies the percentage of data that was backed-up.
attemptCount	integer	Y	N	The number of times a backup job had to be attempted before being successful or reaching the maximum allowable number of retries.
backupType	integer	N	N	The type of backup which triggered this job, Immediate, Scheduled, and so on.
bytesWritten	bigint	Y	N	The amount in bytes that a backup job transferred from client to media server, for backing up.
clientId	integer	Y	N	The unique identifier of the host being backed up
destClientId	integer	Y	N	The unique identifier of the alternate host where the image is been restored.
destClientName	varchar(255)	Y	N	The name of the alternate host where the image is been restored.
endTime	bigint	Y	N	The date and time when a backup ended
expirationTime	bigint	Y	N	The time at which this job (the image that the job generates) will expire.
filesBackedUp	bigint	Y	N	The number of files that are backed up during a backup job.
groupId	numeric(42,0)	Y	N	The unique identifier of the first job which spawned this collection of multistream backups, the value is zero for non-multistream backups.
isAcceleratorEnabled	bit	Y	N	Flag to determine if this is a fast backup job.
isDeduped	bit	N	N	Flag to determine if this is a Pure Disk backup job
isValid	bit	N	N	Identifier for a valid job, set to True for entries created during job data collection. For job entries created during image data collection this flag is set to False.
jobMediaServerId	integer	Y	N	This attribute is same as the mediaserverid if it is not null, or else it is the same as srcmediaserverid.
jobMediaServerName	varchar(255)	Y	N	This attribute is same as jobmediaservername if it is not null, or else it is the same as jobmediaservername.
lastUpdatedTime	bigint	N	N	The time when the job record was last updated in the database
mediaServerId	integer	Y	N	The unique identifier of the media server that performed the backup job.
mediaServerName	varchar(255)	Y	N	The name of the media server that performed the backup job
parentJobId	numeric(42,0)	Y	N	The identifier of the parent job in case of mutistream backups
policyDomainName	varchar(255)	Y	N	Applicable for TSM backups, used for managing a set of TSM client nodes. It can contain multiple Policy sets managing a subset of the TSM client nodes.

Column Name	Data Type	Nulls	Primary Key	Description
policyId	integer	Y	N	The unique identifier of the backup policy
policyName	varchar(255)	Y	N	The name of the backup policy as seen by a backup job
policyType	integer	Y	N	The type of policy as seen by a backup job
policyVersionNo	integer	Y	N	An internal identifier used for mapping the snapshot of the policy used for these backups.
preSISFileCount	bigint	N	N	The number of files that are processed in a PureDisk backup
preSISSize	bigint	N	N	The size in bytes of a PureDisk backup job before deduplication.
scheduleId	integer	Y	N	The unique identifier of a schedule which resides within a policy
scheduleName	varchar(255)	Y	N	The name of a schedule which resides within a policy as seen by a backup job
scheduleType	integer	Y	N	The Schedule Type for the backup job.
secondaryId	numeric(42,0)	Y	N	When a unique job number is not enough to distinguish a job, a secondary ID may be used. For NetBackup, this field is the job Process ID.
srcMediaServerId	integer	Y	N	The unique identifier of the media server from where data for duplication is read
srcMediaServerName	varchar(255)	Y	N	The name of the media server from where data for duplication is read
startTime	bigint	Y	N	The date and time the backup started
state	integer	Y	N	The state of the backup job. For example, Queued, Completed, Running, and so on.
statusCode	bigint	Y	N	The exit code for a particular backup job.
storageUnitType	integer	Y	N	The type of storage unit used and seen by a backup job.
subType	integer	Y	N	Each directory under a job and its type of backup.
throughput	bigint	Y	N	The speed of an overall backup job in Kbytes/sec. This takes into account the transfer time from client to media server, and media server to disk or tape storage. It is not just the speed of a tape drive.
transportType	integer	Y	N	The transport that was used to move the backup from backup client to media server.
type	integer	Y	N	The type of operation done by the backup product.

Primary Tables

Foreign Key Columns	Primary Table	Primary Key Columns
masterServerId, clientName	domain_Client	masterServerId, name
masterServerId	domain_MasterServer	id
masterServerId, jobMediaServerName	domain_MediaServer	masterServerId, name
masterServerId, policyName, policyDomainName, policyVersionNo	domain_Policy	masterServerId, name, policyDomainName, versionNo
masterServerId, policyName, policyDomainName, policyVersionNo, scheduleName	domain_Schedule	masterServerId, policyName, policyDomainName, policyVersionNo, name
backupType	lookup_BackupType	id
state	lookup_JobState	id

Foreign Key Columns	Primary Table	Primary Key Columns
statusCode	lookup_JobStatusCode	id
subType	lookup_JobSubType	id
type	lookup_JobType	id
policyType	lookup_PolicyType	id
scheduleType	lookup_ScheduleType	id
storageUnitType	lookup_StorageUnitType	id
transportType	lookup_TransportType	id

Foreign Tables

Primary Key Columns	Foreign Table	Foreign Key Columns
masterServerId, clientName, id	domain_JobImage	masterServerId, clientName, jobId
masterServerId, clientName, id	domain_Log	masterServerId, clientName, jobId
masterServerId, clientName, id	domain_ReconciledJobArchive	masterServerId, clientName, id
masterServerId, clientName, id	domain_ScheduledJob	masterServerId, clientName, jobId
masterServerId, clientName, id	domain_SkippedFileArchive	masterServerId, clientName, jobId
masterServerId, clientName, id	nb_JobArchive	masterServerId, clientName, id
masterServerId, clientName, id	nb_JobDbInstanceArchive	masterserverId, clientName, jobId
masterServerId, clientName, id	nb_JobFilesArchive	masterserverId, clientName, jobId

domain_JobImage

Internal table to hold link between Job and Image.

Column Name	Data Type	Nulls	Primary Key	Description
masterServerId	integer	N	Y	Master Server unique Id
clientName	varchar(255)	N	Y	Client hostname associated with the backup
jobId	numeric(42,0)	N	Y	A unique number for each backup job in a backup domain that identifies a backup job
imageId	varchar(255)	N	Y	Backup Image unique Id
clientId	integer	Y	N	Client id associated with the backup

Primary Tables

Foreign Key Columns	Primary Table	Primary Key Columns
masterServerId, imageId	domain_Image	masterServerId, id
masterServerId, clientName, jobId	domain_JobArchive	masterServerId, clientName, id

domain_Log

This table stores log messages from NetBackup error catalog for a default of 3 days.

Column Name	Data Type	Nulls	Primary Key	Description
masterServerId	integer	N	Y	The unique identifier of the master server that executed the backup job
clientName	varchar(255)	N	Y	The name of a host being backed up as seen by a backup job.
jobId	numeric(42,0)	N	Y	The unique identifier of the job associated with this message
logMessage	long varchar	N	Y	The text of the log message
logTime	bigint	N	Y	The date and time when this message was logged
clientId	integer	N	N	The unique identifier of the host being backed up.
daemonName	varchar(255)	Y	N	The NetBackup process which generated this message.
isProcessed	bit	N	N	Flag to determine if this log message has been processed by the Stored Procedure. This procedure is responsible for generating data for the Drive Utilization or Throughput report.
mediaServerId	integer	Y	N	The unique identifier of the media server that performed the backup job
mediaServerName	varchar(255)	Y	N	The name of the media server that performed the backup job
severityCode	integer	Y	N	Specifies the severity of the log message
typeCode	integer	Y	N	Specifies the type of log messages (ALL, BACKSTAT, MEDIADEV, GENERAL, BACKUP, ARCHIVE, RETRIEVE, and SECURITY). The number is a decimal representation of a hexadecimal value of the message code
version	integer	Y	N	The NetBackup version of the daemon which logged this message.

Primary Tables

Foreign Key Columns	Primary Table	Primary Key Columns
masterServerId, clientName	domain_Client	masterServerId, name
masterServerId, clientName, jobId	domain_JobArchive	masterServerId, clientName, id
masterServerId	domain_MasterServer	id
masterServerId, mediaServerName	domain_MediaServer	masterServerId, name

domain_MasterServer

Stores the list of Master Servers configured for this OpsCenter.

Column Name	Data Type	Nulls	Primary Key	Description
id	integer	N	Y	Unique identifier for Master Server
agentConfigId	integer	Y	N	Id of the agent used to perform data collection, references the agent_configuration table
attemptNumber	integer	Y	N	Current attempt number in case of master server reconnection
bpjavaPassword	long varchar	Y	N	NetBackup Password used in data collection
bpjavaUserName	long varchar	Y	N	NetBackup Username used in data collection
catalogLastBackedUp	bigint	Y	N	Time of the last Catalog Backup
catalogSize	bigint	Y	N	Catalog Size in bytes
clientsNotBackedUp	integer	Y	N	Number of clients not backed up
dataBackedUp	bigint	Y	N	Size of data backed up in bytes
dataCollectorId	integer	Y	N	Id of the Data Collector, references the agent_datacollector table
downDrives	integer	Y	N	Number of down drives
failedJobs	integer	Y	N	Number of failed jobs
friendlyName	varchar(255)	Y	N	Display name
GUID	varchar(255)	Y	N	Unique identifier for GUI
hardware	integer	Y	N	Hardware type; See lookup_hardware table to view the hardware types.
hardwareDescription	varchar(255)	Y	N	Description of the Master Server hardware
isDataCollectionFailed	bit	N	N	True if data collection for any datatypes failed
lastAttempt	bigint	Y	N	Time of last attempt to connect with master server in case of disconnected master.
lastContact	bigint	Y	N	Time when master server status last updated
networkName	varchar(255)	N	N	Network name of the Master Server
nextAttempt	bigint	Y	N	Time when the next attempt will be made to connect with master server in case of disconnected master.
offsetFromGMT	integer	Y	N	Offset from GMT in minutes for displaying data is Master Server specific Timezone
oldGuid	varchar(255)	Y	N	This stores the original GUID in case NetBackup is re-installed on the same host.
osDescription	varchar(255)	Y	N	Name of the Operating System installed on the Master Server
osType	integer	Y	N	Operating System type; See lookup_OS table to view the Operating System types.
pbxPort	integer	N	N	Port on which Master Server PBX is running
preferredNetworkAddress	varchar(255)	Y	N	Preferred Network Address of the Master Server
product	integer	Y	N	Product installed on the Master Server; See lookup_Product table to view the product information.
reason	varchar(255)	Y	N	Reason for discontinuity with the Master Server
status	integer	Y	N	Connection Status

Column Name	Data Type	Nulls	Primary Key	Description
successfulJobs	integer	Y	N	Number of successful jobs
valid	bit	N	N	Is Master Server valid
versionLabel	varchar(255)	Y	N	Version of NetBackup installed in text
versionNumber	integer	N	N	Version of NetBackup installed in numeric form

Primary Tables

Foreign Key Columns	Primary Table	Primary Key Columns
id	domain_Entity	id
status	lookup_MasterServerStatus	id
osType	lookup_OS	id
product	lookup_Product	id

Foreign Tables

Primary Key Columns	Foreign Table	Foreign Key Columns
id	audit_Record	masterServerId
id	domain_Client	masterServerId
id	domain_ClientImageCollectionLevel	masterServerId
id	domain_DataClassification	masterServerId
id	domain_DiskPool	masterServerId
id	domain_EntityAlias	masterServerId
id	domain_Image	masterServerId
id	domain_Job	masterServerId
id	domain_JobArchive	masterServerId
id	domain_Log	masterServerId
id	domain_Media	masterServerId
id	domain_MediaServer	masterServerId
id	domain_Policy	masterServerId
id	domain_SkippedFileArchive	masterServerId
id	domain_SLPIImage	masterServerId
id	domain_TapeDrive	masterServerId
id	domain_TapeLibrary	masterServerId
id	nb_CatalogBackup	masterServerId
id	nb_DeviceUsageArchive	masterServerId
id	nb_DiskPool	masterServerId
id	nb_FatClient	masterServerId
id	nb_FatServer	masterServerId
id	nb_Media	masterServerId
id	nb_RetentionLevel	masterServerId
id	nb_Robot	masterServerId

Primary Key Columns	Foreign Table	Foreign Key Columns
id	nb_Service	masterServerId
id	nb_SLPBackLogSummary	masterServerId
id	nb_StorageServer	masterServerId
id	nb_StorageServiceDestInfo	masterServerId
id	nb_StorageServiceInfo	masterServerId
id	nb_StorageUnit	masterServerId
id	nb_StorageUnitGroup	masterServerId
id	nb_SummaryMedia	masterServerId
id	nb_TapeDrive	masterServerId
id	nb_TapeDrivePendingRequests	masterServerId
id	nb_VirtualMachines	masterServerId
id	nb_VolumeGroup	masterServerId
id	nb_VolumePool	masterServerId

domain_Media

This table stores media attributes used by reporting in OpsCenter.

Column Name	Data Type	Nulls	Primary Key	Description
masterServerId	integer	N	Y	This attribute specifies the Unique identifier for Master Server in OpsCenter.
id	long varchar	N	Y	This attribute specifies a NetBackup Id that identifies the volume in six or fewer alphanumeric characters. NetBackup assigns the media Id when you add volumes or when you use a robot inventory to add volumes.
allocationTime	bigint	Y	N	This attribute specifies the date and time when a piece of media was allocated for the first time or had its first backup written to it. Once the media expires, a new date and time is allocated when it is reused.
barcode	varchar(1000)	Y	N	This attribute represents the full barcode as read by the physical robot and is used by NetBackup to ensure that the robot loads the correct volume.
deleted	bit	N	N	A yes/no property to indicate if the media has been deleted. 1(true) indicates deleted and 0(zero)(false) indicates not deleted.
density	integer	Y	N	This attribute specifies the type of tape media as defined by the backup application. For NetBackup this is also called the 'density' and specifies what types of drive the tape can go in.
expirationTime	bigint	Y	N	This attribute specifies the expiration time of the media so that it gets assigned back to the pool for reuse.
hSize	bigint	Y	N	This attribute specifies Optical media header size of a backup image.
imageCount	bigint	Y	N	This attribute specifies the number of backup images on a given piece of tape media or disk pool.
isCleaning	bit	N	N	A yes/no property to indicate if the Drive is configured for cleaning. 1(true) indicates drive is configured for cleaning and 0(zero)(false) indicates not configured for cleaning.
isImported	bit	N	N	A yes/no property to indicate if the backup media was imported. Imported media simply means that this particular backup domain did not originally write the data to the media. 1(true) indicates that this backup media was imported and 0(zero)(false) indicates this backup media was not imported.
isMultipleRetLevelsAllowed	bit	N	N	A yes/no property to indicate if a given piece of tape media will allow for multiple expiration dates. Multiple expiration dates means that the whole tape can not be reused until the last backup has expired on the media. 1(true) indicates that this tape media allows multiple expiration dates and 0(zero)(false) indicates it does not allow multiple expiration dates.
isMultiplexingAllowed	bit	N	N	A yes/no property to indicate if multiplexing is allowed on a piece of tape media. Multiplexing means that multiple clients or jobs were backed up to one image so that the particular image could have more than one client inside it. 1(true) means multiplexing is allowed on this tape media and 0(zero)(false) means no multiplexing is allowed on this tape media.
isTotalCapacityEstimated	bit	N	N	This attribute specifies capacity. Since capacity of a tape is often estimated using an algorithm. This specifies whether it was actually calculated, or provided exactly by the DP product.
isValid	bit	N	N	This attribute identifies if the media is valid or not. 1 specifies media is valid.

Column Name	Data Type	Nulls	Primary Key	Description
lastReadTime	bigint	Y	N	This attribute specifies the date and time when the backup media was last read.
lastRestoreTime	bigint	Y	N	This attribute specifies the date and time when the backup media was last restored.
lastWriteTime	bigint	Y	N	This attribute specifies the date and time when the backup media was last written to.
lastWrittenHost	varchar(255)	Y	N	This attribute specifies name of the host which has last written to this media.
libraryId	varchar(255)	Y	N	This attribute represents id of the library where the media resides in.
librarySlotNumber	integer	Y	N	This attribute specifies the physical slot number that a given piece of media resides in.
libraryType	integer	Y	N	This attribute specifies the type of tape library (TLD, ACS, 8MM, 4MM, TLM, TLH, and so on).
lOffset	bigint	Y	N	This attribute specifies the logical block address of the beginning of the block that a backup image exists.
mediaOwner	varchar(255)	Y	N	This attribute specifies which media server or server group should own the media that backup images for this policy are written to.
mediaServerId	integer	Y	N	This attribute specifies the Unique identifier for Media Server.
mediaServerName	varchar(255)	Y	N	This attribute specifies the name of the device host or Virtual Cluster.
onHold	bit	N	N	A yes/no property indicating that the media has an image copy that is on hold. Zero(0)(false) indicates no hold and 1(true) indicates a hold on this media is present.
partnerId	varchar(255)	Y	N	This attribute specifies the ID of the opposite side of a optical platter. If on Side A of a platter this would show Side B.
physicalExpirationTime	bigint	Y	N	This attribute refers to the actual expiration time of a media.
pSize	bigint	Y	N	This attribute specifies the optical partition size in bytes of a media.
restoreCount	bigint	Y	N	This attribute specifies the number of times a given piece of backup media has been used for restores.
retentionLevel	integer	Y	N	This attribute specifies the retention level which determines how long to retain backups and archives. The retention_level is an integer between 0 and 24 (default level is 1).
role	integer	Y	N	This attribute specifies the role of the media, it can be Unassigned, Regular Backups, Catalog Backups, and so on.
serverGroup	varchar(255)	Y	N	This attribute specifies the server group that owns the volume. If not owned by a server group, the column is empty.
sSize	bigint	Y	N	This attribute specifies the Optical media sector size of a backup image.
status	integer	Y	N	This attribute specifies the status of a given piece of media. Active means it is being used at a given point in time, Frozen means errors have occurred on the tape media and it is no longer being used for backups, and so on.
totalCapacity	bigint	Y	N	This attribute specifies the total capacity of the tape in KB. Value here per sample is either, the total capacity if the media is active, or 0 otherwise.
type	integer	Y	N	This attribute specifies the media type of the volume.

Column Name	Data Type	Nulls	Primary Key	Description
usedCapacity	bigint	Y	N	This attribute specifies the amount in KB used up in the tape.
validImageCount	bigint	Y	N	This attribute specifies the count of images on a media that have not yet expired.
volumeGroupName	varchar(255)	Y	N	This attribute specifies the name of the volume group for this volume.
volumePoolId	integer	Y	N	This attribute specifies the volume pool ID which automatically starts at 1 for the default pool "NetBackup". Things like Scratch Pools or onsite/offsite pools are typically also used and these all have unique volume pool IDs.
volumePoolName	varchar(255)	Y	N	This user defined field is the name of the volume pool that media is placed into.

Primary Tables

Foreign Key Columns	Primary Table	Primary Key Columns
masterServerId	domain_MasterServer	id
masterServerId, mediaServerName	domain_MediaServer	masterServerId, name
masterServerId, libraryId	domain_TapeLibrary	masterServerId, id
role	lookup_MediaRole	id
status	lookup_MediaStatus	id
type	lookup_MediaType	id
libraryType	lookup_RobotType	id
masterServerId, retentionLevel	nb_RetentionLevel	masterServerId, id
masterServerId, volumeGroupName	nb_VolumeGroup	masterServerId, name
masterServerId, volumePoolName	nb_VolumePool	masterServerId, name

Foreign Tables

Primary Key Columns	Foreign Table	Foreign Key Columns
masterServerId, id	domain_MediaHistory	masterServerId, id
masterServerId, id	nb_Media	masterServerId, id

domain_MediaHistory

This table stores the attributes for media historical data.

Column Name	Data Type	Nulls	Primary Key	Description
uniqueId	integer	N	Y	This attribute represents a unique identifier for media server.
expirationTime	bigint	Y	N	The date/time that a backup media is set to expire.
id	long varchar	N	N	This attribute represents a unique identifier for media.
imageCount	bigint	Y	N	This attribute represents count of images on a media.
isCurrent	bit	N	N	A yes/no property identifies if the backup media exists in the current configuration (and not historical). 1(true) indicates backup media exists in current configuration and 0(Zero)(false) indicates it does not exist.
isMultipleRetLevelsAllowed	bit	N	N	A yes/no property identifies if a given piece of tape media will allow multiple expiration dates. Multiple expiration dates indicates that the whole tape cannot be reused until the last backup has expired on the media. 1(true) indicates yes the given piece of media will allow for multiple expiration dates and 0(Zero)(false) indicates no it would not.
isMultiplexingAllowed	bit	N	N	A yes/no property identifies if multiplexing is allowed on a piece of tape media. Multiplexing indicates that multiple clients were or jobs were backed up to one image so that particular image could have more than one client inside it. A value of 1(true) indicates multiplexing is allowed on this media and 0(Zero)(false) indicates no multiplexing is not allowed.
isTotalCapacityEstimated	bit	N	N	This attribute represents a yes/no property for if total capacity is estimated. Since capacity of a tape is often estimated using an algorithm. This specifies whether it was actually calculated, or provided exactly by the DP product. A value of 1(true) indicates yes total capacity is estimated and 0(Zero)(false) indicates no it is not estimated and rather provided exactly by the DP product.
lastReadTime	bigint	Y	N	This attribute represents a date/time that the backup media was last used to be read (restored).
lastWriteTime	bigint	Y	N	This attribute represents a date/time that the backup media was last used to be written to (duplicates, backups).
libraryId	varchar(255)	Y	N	This attribute represents a unique number given to each tape library in the EMM database. This ID is put together with the library type in the NBU GUI to show TLD(0), TLD(1) etc.
librarySlotNumber	integer	Y	N	This attribute specifies the physical slot number that a given piece of media resides in.
IOffset	bigint	Y	N	This attribute represents a logical block address of the beginning of the block that a backup image exists.
masterServerId	integer	N	N	This attribute specifies a unique identifier for Master Server in OpsCenter.
physicalexpirationTime	bigint	Y	N	This attribute represents a date/time that a piece of media will physically expire (all images on the media) and be able to be reused.
restoreCount	bigint	Y	N	This attribute specifies the number of times a given piece of backup media has been used for restores.
retentionLevel	integer	Y	N	This attribute specifies the retention level that determines how long to retain backups and archives. The retention_level is an integer between 0 and 24 (default level is 1).

Column Name	Data Type	Nulls	Primary Key	Description
role	integer	Y	N	This attribute specifies the role of the media and media role could be unassigned, Regular Backups, Catalog Backups etc.
snapshotTime	bigint	N	N	This attribute represents a date/time that all the media information was collected from the backup application to OpsCenter. History is kept so a history of the state of all media can be determined.
status	integer	Y	N	This attribute represents status of a given piece of media. Active meaning it is being used at a given point in time, Frozen meaning errors have occurred on the tape media and it is no longer being used for backups, etc.
totalCapacity	bigint	Y	N	This attribute represents the total capacity of the tape in KB. Value here per sample is either the total capacity if the media is active, or 0 otherwise.
unexpiredImageCount	bigint	Y	N	This attribute represents the number of images that are unexpired on a given piece of media.
usedCapacity	bigint	Y	N	This attribute specifies the amount in KB used up in the tape.
volumeGroupName	varchar(255)	Y	N	This attribute specifies the name of the volume group for this volume.
volumePoolId	integer	Y	N	This attribute represents the volume pool ID which automatically starts at 1 for the default pool "NetBackup". Things like Scratch Pools or onsite/offsite pools are typically also used and these all have unique volume pool ID's.
volumePoolName	varchar(255)	Y	N	This user defined field is the name of the volume pool that media is placed in to.

Primary Tables

Foreign Key Columns	Primary Table	Primary Key Columns
masterServerId, id	domain_Media	masterServerId, id
masterServerId, libraryId	domain_TapeLibrary	masterServerId, id
status	lookup_MediaStatus	id
masterServerId, retentionLevel	nb_RetentionLevel	masterServerId, id

domain_MediaServer

This table stores the attributes of MediaServer.

Column Name	Data Type	Nulls	Primary Key	Description
masterServerId	integer	N	Y	Unique identifier for Master Server in OpsCenter.
name	varchar(255)	N	Y	This attribute specifies the name of the media server.
activeJobs	integer	Y	N	This attribute specifies the number of activeJobs for this media server.
activeNodeName	varchar(255)	Y	N	This attribute specifies the name of the node of a cluster which is active as a media server in a clustered media server.
availableMedia	integer	Y	N	This attribute specifies the number of available media on this media server.
availableMediaSize	bigint	Y	N	This attribute specifies the size of the available media on this media server.
clusterName	varchar(255)	Y	N	This attribute specifies the name of the cluster for a Virtual Cluster, if the media server is a clustered media server.
deleted	bit	N	N	This attribute specifies if the media server has been deleted. 0 (zero)(false) indicates NO and 1(true) indicates YES.
fullyQualifiedName	varchar(255)	Y	N	This attribute specifies the fully qualified name of the media server.
hardware	integer	Y	N	This attribute specifies the type of hardware that hosts this media server. For example, 1 indicates solaris, 6 indicates intel, 40 indicates linux, and so on.
id	integer	Y	N	This attribute represents a unique identifier for media server.
imagesWritten	integer	Y	N	This attribute specifies the number of images written on this media server.
ip	varchar(255)	Y	N	This attribute specifies the ip address of the media server.
isValid	bit	N	N	This attribute specifies if the media server is a valid and accessible media server. 0(Zero)indicates false that is, Not Available and 1 indicates true that is Available.
lastSeenTime	bigint	Y	N	This attribute specifies the date and time when the media server was last seen.
lastWritten	bigint	Y	N	This attribute specifies the date and time that this media server was last Written onto.
mediaServerDown	bit	N	N	This attribute specifies if the media server is down or up. 0 (Zero)indicates up and 1 indicates down.
networkName	varchar(255)	Y	N	This attribute specifies the network name of the media server.
osDescription	varchar(255)	Y	N	This attribute specifies the description of the operating system that hosts the media server.
osType	integer	Y	N	This attribute specifies the type of the operating system that hosts this media server.
product	integer	Y	N	This attribute specifies the type of the product. For example, 1 indicates NetBackup, 128 BackupExec, and so on.
status	integer	Y	N	This attribute specifies the current host status for this media server. For example, Active for Tape, Active for Tape and Disk, Active for Disk, Offline, Deactivated and Virtual Cluster, and so on.

Column Name	Data Type	Nulls	Primary Key	Description
throughput	bigint	Y	N	This attribute specifies the rate of data transfer on media server.
type	integer	Y	N	This attribute specifies the type of media servers. For example, Basic Disk, Advanced Disk, NDMP, Open Storage, and so on.
versionLabel	varchar(255)	Y	N	This attribute specifies the NetBackup version of the media server. For example, 710200 means media server is of NetBackup version 7102.

Primary Tables

Foreign Key Columns	Primary Table	Primary Key Columns
id	domain_Entity	id
masterServerId	domain_MasterServer	id
osType	lookup_OS	id
product	lookup_Product	id

Foreign Tables

Primary Key Columns	Foreign Table	Foreign Key Columns
masterServerId, name	domain_ImageCopy	masterServerId, mediaServerName
masterServerId, name	domain_Job	masterServerId, mediaServerName
masterServerId, name	domain_Job	masterServerId, srcMediaServerName
masterServerId, name	domain_JobArchive	masterServerId, jobMediaServerName
masterServerId, name	domain_Log	masterServerId, mediaServerName
masterServerId, name	domain_Media	masterServerId, mediaServerName
masterServerId, name	domain_TapeDriveMap	masterServerId, mediaServerName
masterServerId, name	domain_TapeLibrary	masterServerId, mediaServerName
masterServerId, name	nb_JobAttempt	masterserverId, srcMediaServerName
masterServerId, name	nb_JobAttempt	masterserverId, destMediaServerName
masterServerId, name	nb_JobAttemptArchive	masterserverId, destMediaServerName
masterServerId, name	nb_JobAttemptArchive	masterserverId, srcMediaServerName
masterServerId, name	nb_StorageUnit	masterServerId, host

domain_ParentJob

This table stores information for parent jobs of a multistream backups.

Column Name	Data Type	Nulls	Primary Key	Description
masterServerId	integer	N	Y	The unique identifier of the master server that executed the backup job.
clientName	varchar(255)	N	Y	The name of a host being backed up as seen by a backup job.
id	numeric(42,0)	N	Y	The identifier of the parent job in case of multistream backups.
isParent	bit	N	N	Flag to determine if this backup job is a parent job in a multistream backup collection.

Primary Tables

Foreign Key Columns	Primary Table	Primary Key Columns
masterServerId, clientName, id	domain_Job	masterServerId, clientName, id

domain_Policy

This table stores information about policy attributes.

Column Name	Data Type	Nulls	Primary Key	Description
masterServerId	integer	N	Y	This attribute represents the Id of a master server from domain_Entity table.
name	varchar(255)	N	Y	This attribute represents name of the policy.
policyDomainName	varchar(255)	N	Y	Applicable for TSM backups, used for managing a set of TSM client nodes. It can contain multiple Policy sets managing a subset of the TSM client nodes
versionNo	integer	N	Y	This attribute represents the number of times a policy has been modified.
active	bit	N	N	This attribute represents whether policy is active or inactive.
dataClassificationId	varchar(255)	Y	N	The DataClassification attribute specifies the classification of the storage lifecycle policy that stores the backup.
discoveryLifetime	bigint	N	N	This attribute represents how often NetBackup performs discovery on the vCenter server.
effectiveDate	bigint	Y	N	The effective date attribute specifies when the policy can begin to schedule backups.
entityId	integer	Y	N	This attribute represents the unique id of a policy object from domain_Entity table.
isApplicationDiscovery	bit	N	N	This attribute represents whether application discovery is enabled or disabled.
isValid	bit	N	N	This attribute represents whether policy is valid or invalid, and takes into consideration all the reports.
jobPriority	integer	Y	N	The Job priority attribute specifies the priority that a policy has as it competes with other policies for resources.
keyword	long varchar	Y	N	The Keyword phrase attribute is a phrase that NetBackup associates with all backups or archives based on the policy.
retirement	bigint	Y	N	This attribute represents policy retirement.
status	integer	Y	N	This attribute represents status of policy. For example, active, retired, and so on.
type	integer	Y	N	This attribute determines the purpose of the policy.

Primary Tables

Foreign Key Columns	Primary Table	Primary Key Columns
masterServerId, dataClassificationId	domain_DataClassification	masterServerId, name
entityId	domain_Entity	id
masterServerId	domain_MasterServer	id
status	lookup_PolicyStatus	id
type	lookup_PolicyType	id

Foreign Tables

Primary Key Columns	Foreign Table	Foreign Key Columns
masterServerId, name, policyDomainName, versionNo	domain_Job	masterServerId, policyName, policyDomainName, policyVersionNo
masterServerId, name, policyDomainName, versionNo	domain_JobArchive	masterServerId, policyName, policyDomainName, policyVersionNo
masterServerId, name, policyDomainName, versionNo	domain_PolicyClient	masterServerId, policyName, policyDomainName, policyVersionNo
masterServerId, name, policyDomainName, versionNo	domain_Schedule	masterServerId, policyName, policyDomainName, policyVersionNo
masterServerId, name, policyDomainName, versionNo	domain_ScheduledJob	masterServerId, policyName, policyDomainName, policyVersionNo
masterServerId, name, policyDomainName, versionNo	nb_Policy	masterServerId, name, policyDomainName, versionNo

domain_PolicyClient

This table stores information about a policy and the clients it contains.

Column Name	Data Type	Nulls	Primary Key	Description
masterServerId	integer	N	Y	This attribute represents master server object's Id from the domain_Entity table.
policyName	varchar(255)	N	Y	This attribute represents the policy name.
policyDomainName	varchar(255)	N	Y	Applicable for TSM backups, used for managing a set of TSM client nodes. It can contain multiple Policy sets managing a subset of the TSM client nodes.
policyVersionNo	integer	N	Y	This attribute represents how many times a policy has been modified.
clientName	varchar(255)	N	Y	This attribute represents name of client that is present in policy.
clientId	integer	N	N	This attribute represents id of client object from domain_Entity table.
disableMetaIndexing	bit	N	N	This attribute represents whether Meta Indexing is enabled or disabled. (DEPRECATED since OpsCenter 7.7)
isValid	bit	N	N	This attribute represents whether a combination of policy and client is valid or invalid.
priority	integer	Y	N	The priority attribute specifies the priority that a policy has as it competes with other policies for resources.

Primary Tables

Foreign Key Columns	Primary Table	Primary Key Columns
masterServerId, clientName	domain_Client	masterServerId, name
masterServerId, policyName, policyDomainName, policyVersionNo	domain_Policy	masterServerId, name, policyDomainName, versionNo

domain_ReconciledJob

This table holds information for jobs that have been reconciled (An option that prevents the jobs that failed, from being billed. These jobs may have failed due to reasons like user terminating a job, host cannot be reached and so on.)

Column Name	Data Type	Nulls	Primary Key	Description
masterServerId	integer	N	Y	The unique identifier of the master server that executed the backup job
clientName	varchar(255)	N	Y	The name of a host being backed up as seen by a backup job
id	numeric(42,0)	N	Y	The identifier of the parent job in case of multistream backups
isIgnored	bit	N	N	Flag if set to True will exclude these jobs for reporting calculation "Success Rate" or "Time since last successful backup"
reconciliationType	integer	Y	N	Word describing the reason for reconciliation and it maps to lookup_ReconciledJobType.

Primary Tables

Foreign Key Columns	Primary Table	Primary Key Columns
masterServerId, clientName, id	domain_Job	masterServerId, clientName, id
reconciliationType	lookup_ReconciledJobType	id

domain_ReconciledJobArchive

This table holds information for jobs which has been reconciled (a option that prevents the jobs that failed from being billed. These jobs fail due to reasons like user terminating a job, host cannot be reached, and so on.)

Column Name	Data Type	Nulls	Primary Key	Description
masterServerId	integer	N	Y	The unique identifier of the master server that executed the backup job
clientName	varchar(255)	N	Y	The name of a host being backed up as seen by a backup job
id	numeric(42,0)	N	Y	The indentifier of the parent job in case of mutistream backups
isIgnored	bit	N	N	Flag if set to true will exclude these jobs for reporting calculation "Success Rate" or "Time since last sucessfull backup"
reconciliationType	integer	Y	N	Word describing the reason for reconciliation that maps to lookup_ReconciledJobType.

Primary Tables

Foreign Key Columns	Primary Table	Primary Key Columns
masterServerId, clientName, id	domain_JobArchive	masterServerId, clientName, id
reconciliationType	lookup_ReconciledJobType	id

domain_Schedule

This table stores information about backup schedule attributes.

Column Name	Data Type	Nulls	Primary Key	Description
masterServerId	integer	N	Y	This attribute represents id of master server entity object from domain_Entity table.
policyName	varchar(255)	N	Y	This attributes represents name of the policy.
policyDomainName	varchar(255)	N	Y	Applicable for TSM backups, used for managing a set of TSM client nodes. It can contain multiple Policy sets managing a subset of the TSM client nodes
policyVersionNo	integer	N	Y	This attribute represents how many times policy has been modified.
name	varchar(255)	N	Y	This attribute represents name of the schedule.
calendar	integer	Y	N	Calendar-based schedules allow administrators to select specific days to run a policy.
copies	long varchar	Y	N	This attribute represents the total number of copies.
failOnError	integer	Y	N	This attribute represents whether backup job should fail or retry on error.
fastRecovery	bit	N	N	This attribute indicates whether fast recovery is enabled or not.
frequency	bigint	Y	N	This attribute specifies how much time must elapse between the successful completion of a scheduled task and the next attempt.
hasCalendarSched	integer	Y	N	This attribute represents whether schedule is a calendar based schedule or not.
isValid	bit	N	N	This attribute represents whether it is a valid policy or not.
maxFragSize	integer	Y	N	This attribute represents maximum fragment size that can be used for writing images.
maxMPX	integer	Y	N	This attribute represents maximum streams per drive.
numberOfCopies	integer	Y	N	This property specifies the total number of backup copies that may exist in the NetBackup catalog (that can range from 2 through 10).
retension	bigint	Y	N	This attribute specifies how long NetBackup retains the backups.
scheduleId	integer	N	N	This attribute indicates number of schedule from policy.
scheduleIndexing	bit	N	N	This attribute represents indexing of snapshot.(DEPRECATED since OpsCenter 7.7)
synthetic	bit	N	N	This attribute represents whether it is a synthetic backup.
type	integer	Y	N	The Type of backup attribute specifies the type of backup that the schedule controls.
windows	long varchar	Y	N	This attribute contains a list of backup windows.

Primary Tables

Foreign Key Columns	Primary Table	Primary Key Columns
masterServerId, policyName, policyDomainName, policyVersionNo	domain_Policy	masterServerId, name, policyDomainName, versionNo
type	lookup_ScheduleType	id

Foreign Tables

Primary Key Columns	Foreign Table	Foreign Key Columns
masterServerId, policyName, policyDomainName, policyVersionNo, name	domain_Job	masterServerId, policyName, policyDomainName, policyVersionNo, scheduleName
masterServerId, policyName, policyDomainName, policyVersionNo, name	domain_JobArchive	masterServerId, policyName, policyDomainName, policyVersionNo, scheduleName
masterServerId, policyName, policyDomainName, policyVersionNo, name	domain_ScheduleCalendar	masterServerId, policyName, policyDomainName, policyVersionNo, scheduleName
masterServerId, policyName, policyDomainName, policyVersionNo, name	domain_ScheduledJob	masterServerId, policyName, policyDomainName, policyVersionNo, scheduleName
masterServerId, policyName, policyDomainName, policyVersionNo, name	domain_ScheduleWindow	masterServerId, policyName, policyDomainName, policyVersionNo, scheduleName

domain_ScheduleCalendar

This table stores information about schedule based on a calendar.

Column Name	Data Type	Nulls	Primary Key	Description
masterServerId	integer	N	Y	This attribute represents Id of master server entity object from domain_Entity table.
policyName	varchar(255)	N	Y	This attribute represents name of the policy.
policyDomainName	varchar(255)	N	Y	Applicable for TSM backups, used for managing a set of TSM of client nodes. It can contain multiple policy sets managing a subset of the TSM client nodes
policyVersionNo	integer	N	Y	This attribute represents versions number of the policy.
scheduleName	varchar(255)	N	Y	This attribute represents name of the schedule.
days	varchar(35)	Y	N	This attribute contains the information about when the policy is run.
daysOfMonth	char(32)	Y	N	This attribute contains the information about which day a policy is run.
isValid	bit	N	N	This attribute represents whether schedule is valid or invalid.
specificExcludeDates	long varchar	Y	N	This attribute contains the date to be excluded from policy run.
specificExcludeDatesCount	integer	Y	N	This attribute contains the dates which are excluded from policy run.
specificIncludeDates	long varchar	Y	N	This attribute contains the information about running the policy on specific dates rather than follow a recurring schedule.
specificIncludeDatesCount	integer	Y	N	This attribute contains the dates on which policy is going to run.

Primary Tables

Foreign Key Columns	Primary Table	Primary Key Columns
masterServerId, policyName, policyDomainName, policyVersionNo, scheduleName	domain_Schedule	masterServerId, policyName, policyDomainName, policyVersionNo, name

domain_ScheduledJob

This table stores information for job scheduling (work list) information as generated by PEM. This table only holds the first work list generated for Policy+Client+Schedule combination, information related to subsequent re-scheduling by PEM is not stored.

Column Name	Data Type	Nulls	Primary Key	Description
id	integer	N	Y	An autoincrement number used as a primary key for this table
clientId	integer	N	N	The unique identifier of the host being backed up
clientName	varchar(255)	N	N	The name of a host being backed up as seen by a backup job
executionType	integer	Y	N	The type of backup which triggered this job. For example, Immediate, Scheduled, and so on.
jobId	numeric(42,0)	Y	N	A unique number for each backup job in a backup domain that identifies a backup job
masterServerId	integer	N	N	The unique identifier of the master server that executed the backup job
policyDomainName	varchar(255)	N	N	Applicable for TSM backups, used for managing a set of TSM client nodes. It can contain multiple policy sets managing a subset of the TSM client nodes.
policyId	integer	N	N	The unique identifier of the backup policy
policyName	varchar(255)	N	N	The name of the backup policy as seen by a backup job
policyVersionNo	integer	N	N	An internal identifier used for mapping the snapshot of a policy that used for these backups.
scheduledTime	bigint	Y	N	The date and time the backup was scheduled to be started as per the original work list of PEM.
scheduleId	integer	Y	N	The unique identifier of a schedule which resides within a policy
scheduleName	varchar(255)	N	N	The name of a schedule which resides within a policy as seen by a backup job
startTime	bigint	Y	N	The date and time the backup actually started
windowClosingTime	bigint	Y	N	The date and time when the backup window closes

Primary Tables

Foreign Key Columns	Primary Table	Primary Key Columns
masterServerId, clientName	domain_Client	masterServerId, name
masterServerId, clientName, jobId	domain_JobArchive	masterServerId, clientName, id
masterServerId, policyName, policyDomainName, policyVersionNo	domain_Policy	masterServerId, name, policyDomainName, versionNo
masterServerId, policyName, policyDomainName, policyVersionNo, scheduleName	domain_Schedule	masterServerId, policyName, policyDomainName, policyVersionNo, name
executionType	lookup_BackupType	id

domain_ScheduleWindow

This table contains the schedule window attributes.

Column Name	Data Type	Nulls	Primary Key	Description
masterServerId	integer	N	Y	This attribute represents master server entity object's Id from the domain_Entity table.
policyName	varchar(255)	N	Y	This attributes represents name of the policy.
policyDomainName	varchar(255)	N	Y	Applicable for TSM backups, used for managing a set of TSM client nodes. It can contain multiple policy sets managing a subset of the TSM client nodes.
policyVersionNo	integer	N	Y	This attribute represents version no of policy.
scheduleName	varchar(255)	N	Y	This attribute represents name of the schedule.
day	integer	N	Y	This attribute contains the information about when the policy is run.
duration	bigint	N	N	This attribute contains the information about the duration during which NetBackup can start backups, archives, or basic disk staging relocation when using a schedule.
isValid	bit	N	N	This attribute represents whether scheduling window is valid or not.
startOffset	bigint	N	N	This attribute represents offset at which backup job can start within a defined backup window.

Primary Tables

Foreign Key Columns	Primary Table	Primary Key Columns
masterServerId, policyName, policyDomainName, policyVersionNo, scheduleName	domain_Schedule	masterServerId, policyName, policyDomainName, policyVersionNo, name

domain_SkippedFileArchive

This table contains the information of files being skipped in the backup.

Column Name	Data Type	Nulls	Primary Key	Description
masterServerId	integer	N	Y	Specifies Unique identifier of the master server associated with skipped file
clientName	varchar(255)	N	Y	Specifies name of client associated with skipped file.
jobId	numeric(42,0)	N	Y	Specifies unique identifier of job associated with the skipped file
name	long varchar	N	Y	Specifies name of skipped file
skipTime	bigint	N	Y	Specifies time when file was skipped
clientId	integer	N	N	Specifies Unique identifier of client associated with skipped file.
isValid	bit	N	N	Specifies if skipped file is valid or not. 1 specifies client is valid.
reason	long varchar	Y	N	Specifies reason of skipped file

Primary Tables

Foreign Key Columns	Primary Table	Primary Key Columns
masterServerId, clientName	domain_Client	masterServerId, name
masterServerId, clientName, jobId	domain_JobArchive	masterServerId, clientName, id
masterServerId	domain_MasterServer	id

domain_SLPIImage

This table holds data for storage lifecycle policy specific image attributes.

Column Name	Data Type	Nulls	Primary Key	Description
masterServerId	integer	N	Y	Unique identifier for Master Server in OpsCenter
id	varchar(255)	N	Y	A unique Id or key for every backup stored in the catalog.
classificationID	varchar(255)	Y	N	Data Classification Id
clientId	integer	Y	N	Client's unique identifier for that master Server in OpsCenter
clientName	varchar(255)	Y	N	Client Name
clientType	integer	Y	N	Policy Type
dataClassificationName	varchar(255)	Y	N	Data Classification Name
importFromReplicaTime	bigint	Y	N	If the image was imported after replication from a different domain this field will indicate time of the event.
isValid	bit	N	N	Indicates whether the record is valid or invalid. 1 specifies image is valid
policyEntityId	integer	Y	N	Unique identifier for Policy mentioned in the field "policyname" for that master Server in OpsCenter
policyName	varchar(255)	Y	N	Policy Name
slpCompletionTime	bigint	Y	N	If the SLP is complete then this is equal to record modification time of the last copy in EMM.
sourceMasterServerGuid	varchar(255)	Y	N	Unique identifier for master server mentioned in the field "sourcemasterservername" in NetBackup
sourceMasterServerId	integer	Y	N	Unique identifier for master server mentioned in the field "sourcemasterservername" in OpsCenter
sourceMasterServerName	varchar(255)	Y	N	In case of Auto Image Replication this is the name of the master server that created that image
storageServiceName	varchar(255)	Y	N	Storage Lifecycle Name
storageServiceState	integer	Y	N	State of the Storage Lifecycle Policy for example Not Started, In Process, Complete, and so on.
storageServiceVersion	integer	Y	N	Version number of Storage Lifecycle Policy definition associated with this image.
timeInProcess	bigint	Y	N	This time indicates when an image was initially processed by Duplication Job.
writeStartTime	bigint	Y	N	Backup Time

Primary Tables

Foreign Key Columns	Primary Table	Primary Key Columns
masterServerId, id	domain_Image	masterServerId, id
masterServerId	domain_MasterServer	id
storageServiceState	lookup_SLPState	id

Foreign Tables

Primary Key Columns	Foreign Table	Foreign Key Columns
masterServerId, id	domain_SLPIImageCopy	masterServerId, imageld

domain_SLPImageCopy

This table holds data for copies created using storage lifecycle policy.

Column Name	Data Type	Nulls	Primary Key	Description
masterServerId	integer	N	Y	Unique identifier for Master Server in OpsCenter.
imageId	varchar(255)	N	Y	A unique Id or key for every backup stored in the catalog.
id	integer	N	Y	Copy Number
copyFormat	integer	Y	N	Explains if it is a tar copy or snapshot
copyState	integer	Y	N	State of the copy. For example, a copy can be in Not Started, In Process, Complete, and so on.
copyType	integer	Y	N	Copy type. For example, a copy type can be Backup copy, Duplication copy, Replication copy, Import copy, and so on.
expirationTime	bigint	Y	N	Copy expiration time. Initially set to INFINITY till the copy is not created.
expirationType	integer	Y	N	Type of Expiration. For example, Maximum Snapshot Limit, Remote Retention, Expire After Duplication, Staged Capacity Managed, Fixed, and so on.
isReplica	bit	N	N	If image was replicated through OST device this flag will indicate if it is a true mirror.
jobId	numeric(42,0)	Y	N	Job id. Set only for duplication and replication jobs. From 7.5 onwards it is set for all other SLP operations.
lastModificationTime	bigint	Y	N	Record modification time in EMM.
lastRetryTime	bigint	Y	N	Start time for the last attempt to create this copy or completion time when CopyState goes to Complete.
lifecycleDestinationTag	varchar(255)	Y	N	SLP destination tag associated with this copy.
residence	varchar(255)	Y	N	Storage unit name
retryCount	integer	Y	N	Number of retries for the copy
slpCopyId	integer	N	N	Copy Number. For replication copy it will be CopyNumber -100

Primary Tables

Foreign Key Columns	Primary Table	Primary Key Columns
masterServerId, imageId, id	domain_ImageCopy	masterServerId, imageId, id
masterServerId, imageId	domain_SLPImage	masterServerId, id
copyState	lookup_CopyState	id
expirationType	lookup_StorageServiceRetentionType	id
copyType	lookup_StorageServiceUsageType	id

domain_TapeDrive

This table stores NetBackup tape drive attributes used by OpsCenter.

Column Name	Data Type	Nulls	Primary Key	Description
masterServerId	integer	N	Y	Specifies master server Id for the tape drive.
name	varchar(255)	N	Y	Specifies name of the tape drive.
assignedHost	varchar(255)	Y	N	Specifies the current device host for the drive.
control	varchar(100)	Y	N	Specifies control mode of the drive like Down, Operator, AVR, and so on as defined in the lookup_ControlMode.
deletedTime	bigint	Y	N	Specifies the time when the drive is deleted.
deviceHost	varchar(255)	Y	N	Specifies the name of the device host where the robot is defined
isEnabled	bit	N	N	Specifies if the tape drive is enabled. 1 indicates enabled and 0 indicates disabled.
isShared	bit	N	N	Specifies if tape drive is shared. 1 indicates shared; 0 indicates not shared.
isValid	bit	N	N	Specifies if the tape drive is valid. 1 indicates valid; 0 indicates not valid.
lastSeenTime	bigint	Y	N	Specifies the time when the drive was last seen.
libraryId	varchar(255)	Y	N	Specifies the library Id associated with the tape drive.
libraryUniqeId	varchar(255)	Y	N	Specifies the library uniqye Id associated with the tape drive.
recordedMediaID	varchar(255)	Y	N	Specifies the recorded Media Id of the colume in the drive.
serialNumber	varchar(255)	Y	N	Specifies serial number of the tape drive.
type	integer	Y	N	Specifies the drive type as defined in lookup_driveType.

Primary Tables

Foreign Key Columns	Primary Table	Primary Key Columns
masterServerId	domain_MasterServer	id
masterServerId, libraryId	domain_TapeLibrary	masterServerId, id
type	lookup_DriveType	id

Foreign Tables

Primary Key Columns	Foreign Table	Foreign Key Columns
masterServerId, name	domain_TapeDriveHistory	masterServerId, name
masterServerId, name	domain_TapeDriveMap	masterServerId, driveName
masterServerId, name	nb_TapeDrive	masterServerId, name

domain_TapeDriveHistory

This table stores NetBackup tape drive attributes used by OpsCenter.

Column Name	Data Type	Nulls	Primary Key	Description
uniqueId	integer	N	Y	Specifies unique Id of the tape drive
assignedHost	varchar(1000)	Y	N	Specifies the current device host for the drive.
control	varchar(100)	Y	N	Specifies control mode of the drive as defined in lookup_ControlMode. For example, Down, Operator, AVR and so on.
deviceHost	varchar(255)	Y	N	Specifies the name of the device host where the robot is defined
isCurrent	bit	N	N	Specifies if the drive is Current. 1 indicates current and 0 (zero) indicates not current.
isEnabled	bit	N	N	Specifies if tape drive is enabled. 1 indicates enabled and 0 (zero) indicates disabled.
isShared	bit	N	N	Specifies if tape drive is shared. 1 indicates shared and 0 (zero) indicates not shared.
libraryId	varchar(255)	Y	N	Specifies the library Id associated with the tape drive.
libraryUniqueId	varchar(255)	Y	N	Specifies the library unique Id associated with the tape drive.
masterServerId	integer	N	N	Specifies master server Id for the tape drive.
name	varchar(255)	N	N	Specifies name of the tape drive.
recordedMediaID	varchar(255)	Y	N	Specifies recorded Media Id of the column in the drive.
serialNumber	varchar(255)	Y	N	Specifies serial number of the tape drive.
snapshotTime	bigint	N	N	Specifies snapshot time
type	integer	Y	N	Specifies the drive type as defined in lookup_driveType

Primary Tables

Foreign Key Columns	Primary Table	Primary Key Columns
masterServerId, name	domain_TapeDrive	masterServerId, name
type	lookup_DriveType	id

domain_TapeDriveMap

This table stores the mapping of the tape drive.

Column Name	Data Type	Nulls	Primary Key	Description
masterServerId	integer	N	Y	Specifies associated master server Id for the tape drive.
driveName	varchar(255)	N	Y	Specifies name of the tape drive.
mediaServerName	varchar(255)	N	Y	Specifies associated media server name for the tape drive.
driveNumber	integer	N	N	Specifies the drive number of the tape drive.
mediaServerId	integer	N	N	Specifies associated media server Id for the tape drive.

Primary Tables

Foreign Key Columns	Primary Table	Primary Key Columns
masterServerId, mediaServerName	domain_MediaServer	masterServerId, name
masterServerId, driveName	domain_TapeDrive	masterServerId, name

domain_TapeLibrary

This table contains information about tape library

Column Name	Data Type	Nulls	Primary Key	Description
masterServerId	integer	N	Y	Id of master server that is associated with the robot
id	varchar(255)	N	Y	Unique identifier for tape library
deletedTime	bigint	Y	N	The most recent time, when NetBackup performed the delete operation.
isValid	bit	N	N	Whether path is valid or not
lastSeenTime	bigint	Y	N	The most recent time, when NetBackup used the volume for backups.
libraryAlias	varchar(255)	Y	N	alias for library
manufacturer	varchar(255)	Y	N	Name of the manufacturer
mediaServerId	integer	Y	N	Id of media server that is associated with the robot
mediaServerName	varchar(255)	Y	N	Name of media server that is associated with the robot
serialNumber	varchar(255)	Y	N	robot serial number
slotCount	integer	N	N	Slot count in the robot that contains the volume
slotCountStatus	integer	N	N	Status of slot count. For example, calculated, sent by user, and so on.
type	integer	Y	N	Type of media. For example, HCART, 8mm, 4mm, and so on.

Primary Tables

Foreign Key Columns	Primary Table	Primary Key Columns
masterServerId	domain_MasterServer	id
masterServerId, mediaServerName	domain_MediaServer	masterServerId, name
type	lookup_RobotType	id
slotCountStatus	lookup_TapeLibrarySlotCountStatus	id

Foreign Tables

Primary Key Columns	Foreign Table	Foreign Key Columns
masterServerId, id	domain_Media	masterServerId, libraryId
masterServerId, id	domain_MediaHistory	masterServerId, libraryId
masterServerId, id	domain_TapeDrive	masterServerId, libraryId
masterServerId, id	nb_Robot	masterServerId, robotNumber

HistoricalData

This table is used for generating drive throughput and drive utilization report

Column Name	Data Type	Nulls	Primary Key	Description
historicalDataCol1	long varchar	Y	N	Unique image identifier of NetBackup Image
historicalDataCol19	integer	Y	N	Unique job identifier of NetBackup job
historicalDataCol2	long varchar	Y	N	Unique Image copy ID of NetBackup Image
historicalDataCol20	integer	Y	N	Unique Drive index
historicalDataCol22	integer	Y	N	Unique identifier of Master Server generated by OpsCenter
historicalDataCol24	bigint	Y	N	Total size of the image (in KB)
historicalDataCol25	bigint	Y	N	Unique master server ID generated by OpsCenter
historicalDataCol26	bigint	Y	N	Unique media server ID generated by OpsCenter
historicalDataCol3	long varchar	Y	N	Unique image fragment identifier
historicalDataCol34	bigint	Y	N	Job start time
historicalDataCol35	bigint	Y	N	Start time of the log message. The log message refers to the NetBackup log file
historicalDataCol36	bigint	Y	N	End time of the log message. The log message refers to the NetBackup log file
historicalDataCol4	long varchar	Y	N	Unique media ID from where the image is restored
historicalDataCol5	long varchar	Y	N	Name of the drive
historicalDataDataGroupID	integer	N	N	Logical ID generated by OpsCenter for maintaining primary key constraint

lookup_AuditAttribute

Reference table for audit attributes

Column Name	Data Type	Nulls	Primary Key
id	integer	N	Y
name	varchar(255)	Y	N

Translated Values

id	Translated Value
500	Policy Type
501	Follow NFS Mounts
502	Client Compress
503	Client Encrypt
504	Max Jobs/Policy
505	Residence
506	Volume Pool
507	Max Frag Size
508	Policy State
509	Collect TIR info
510	Block Level Incremental
511	Keyword
512	Ext Security Info
513	File Restore Raw
514	Mult. Data Stream
515	Backup Copy Method
516	Perform Snapshot Backup
517	Effective Date
518	Checkpoint Restart
519	Enable Instant Recovery
520	Perform Offhost Backup
521	Use Alternate Client
522	Use Data Mover
523	Data Mover Type
524	Alternate Client Name
525	Snapshot Method
526	Snapshot Method Arguments
527	Collect BMR Info
528	Server Group
529	Data Classification
530	Is residence SLP?
531	Granular Restore

id	Translated Value
532	Virtual Machine Type
533	HyperV Server
534	Proxy Client
535	Checkpoint Interval
536	Fail on Error
537	Disaster Recovery
538	Job Sub Type
539	Policy Generation
540	Client
541	Hardware
542	OS
543	Schedule
544	Schedule Type
545	Maximum MPX
546	Frequency
547	Retention Level
548	Unused Window
549	BackupWindow (Sun)
550	BackupWindow (Mon)
551	BackupWindow (Tue)
552	BackupWindow (Wed)
553	BackupWindow (Thu)
554	BackupWindow (Fri)
555	BackupWindow (Sat)
556	Incr Type
557	Alt Read Host
558	Synthetic
559	PFI Recovery
560	Stage Priority
561	Calendar Type
562	Backup Selection
563	Email Address
564	Disk Path
565	User Name
566	Critical Policy
567	Include Dates
568	Exclude Dates
569	Monthly (Day of Month)
570	Monthly (Day of Week)
571	Cross Mount Points
572	Policy Priority

id	Translated Value
573	Ignore Client Direct
574	Exchange Source
575	Exchange 2010 Preferred Server
576	IMAGE_ID
577	RESTOREFILESLIST
578	AUDIT
579	AUDIT_RETENTION_PERIOD
580	Application Discovery
581	Discovery Lifetime
583	Schedule Indexing
584	Disable Meta Indexing
585	Index server name
586	Enable Metadata Indexing
587	Use Fast Backup
590	Stu Key
591	Storage Unit Name
592	Stu Type
593	Media Server Key
594	Media Server
595	Robot Type
596	Robot Number
597	Density
598	Drive Group Name
599	Concurrent Jobs
600	Active Jobs
601	Absolute Path
602	Initial MPX
603	On Demand
604	Max MPX
605	Max Fragment Size
606	NDMP Attach Host key
607	NDMP Attach Host
608	Stu Flags
609	Stu sub Type
610	Throttle
611	Total capacity
612	Free space
613	High water mark
614	Low water mark
615	Potential Free space
616	Last Selected time

id	Translated Value
617	Ok On Root
618	Created Time
619	Last Modified Time
620	Data Movers
621	Data Mover Host Name
622	STU Path
623	Master Server Key
624	Master Server
625	Server Type
626	Storage Type
627	State
628	StorageServerFlags
629	DiskGroup
630	DiskVolume
631	DiskGroup Type
632	Total Physical capacity
633	Used Space
634	Used Physical Space
635	User Tag
636	Max IO Stream
637	StorageServerExtFlags
638	Description
639	Scratch Pool
640	Catalog Backup Pool
641	Max Partially Full
642	Storage Server
643	Pool Type
644	Pool Number
645	Host Name
646	Origin HostName
647	Upgrade Conflicts
648	Stage Data
649	Block Sharing
650	File System Export
651	Transfer Throttle
652	Media Server(s)
653	Job State
654	Patchwork
655	Visible
656	OpenStorage
657	RovingVolumes

id	Translated Value
658	SingleStorageServer
659	CopyExtents
660	AdminUp
661	InternalUp
662	SpanImages
663	BasicStaging
664	LifeCycle
665	CapacityMgmt
666	FragmentImages
667	CatalogBackup
668	Cpr
669	RandomWrites
670	FT-Transfer
671	CapacityManagedRetention
672	CapacityManagedJobQueuing
673	OptimizedImage
674	MetaData
675	DiskGroups
676	ActiveDiskGroups
677	ActiveServers
678	PrefRestore
679	ReqRestore
680	ReqDuplicate
681	OST direct copy to tape
682	MetaData
683	QueueOnDown
684	DiskGroupFlags
685	State
686	State
687	On-hold image list
689	Primary
690	Snapshot
691	Mirror
692	Replication Source
693	Replication Target
694	Independent

lookup_AuditAttributeType

Reference table for audit attribute types

Column Name	Data Type	Nulls	Primary Key
id	integer	N	Y
name	varchar(255)	Y	N

Foreign Tables

Primary Key Columns	Foreign Table	Foreign Key Columns
id	audit_Key	typeid
id	audit_RecordAttribute	typeid

Translated Values

id	Translated Value
0	Na
1	String
2	Int 32
3	UInt 32
4	Int 64
5	UInt 64
6	Timestamp
7	String Seq
8	Int 32 Seq
9	UInt 32 Seq
10	Int 64 Seq
11	UInt 64 Seq
12	Timestamp Seq

lookup_AuditCategory

Reference table for audit category

Column Name	Data Type	Nulls	Primary Key
id	integer	N	Y
name	varchar(255)	Y	N

Foreign Tables

Primary Key Columns	Foreign Table	Foreign Key Columns
id	audit_Record	categoryId

Translated Values

id	Translated Value
1	Policy
2	Audit Configuration
3	Job
4	Audit Service
5	Storage Unit
6	Pool
7	Storage Server
8	bpconf
10	Hold

lookup_AuditMessage

Reference table for audit messages

Column Name	Data Type	Nulls	Primary Key
id	integer	N	Y
name	varchar(255)	Y	N

Foreign Tables

Primary Key Columns	Foreign Table	Foreign Key Columns
id	audit_Record	messageId

Translated Values

id	Translated Value
1	Policy "{0}" was created
2	Policy "{0}" was deleted
3	Attributes of Policy "{0}" were modified
4	Policy "{0}" was activated
5	Policy "{0}" was deactivated
6	Schedule "{0}" was added to Policy "{1}"
7	Schedule "{0}" was deleted from Policy "{1}"
8	Settings of Schedule "{0}" of Policy "{1}" were modified
9	Client "{0}" was added to Policy "{1}"
10	Client "{0}" was deleted from Policy "{1}"
11	Settings of Client "{0}" of Policy "{1}" were modified
12	Include list settings of Policy "{0}" were modified
13	Disaster recovery settings of Policy "{0}" were modified
14	Calendar settings of Schedule "{0}" of Policy "{1}" were modified
15	Audit setting(s) of master server "{0}" were modified
16	Restore job ("{0}") for client "{1}" was initiated
17	Policy "{0}" was saved but no changes were detected
18	The nbaudit service on master server "{0}" was started
19	The nbaudit service on master server "{0}" was stopped
20	Tape Storage Unit "{0}" was created
21	Tape Storage Unit "{0}" was deleted
22	Attributes of Tape Storage Unit "{0}" were modified
23	Disk Storage Unit "{0}" was created
24	Disk Storage Unit "{0}" was deleted
25	Attributes of Disk Storage Unit "{0}" were modified
26	Storage Server "{0}" of type "{1}" was created

id	Translated Value
27	Storage Server "{0}" of type "{1}" was deleted
28	Storage Server "{0}" of type "{1}" was updated
29	Configuration of Storage Server "{0}" was updated
30	Disk Pool "{0}" was created
31	Disk Pool "{0}" was deleted
32	Disk Pool "{0}" was updated
33	Storage Server "{0}" was added to Disk Pool "{1}"
34	Storage Server "{0}" was deleted from Disk Pool "{1}"
35	Disk Pool "{0}" was merged to Disk Pool "{1}"
36	State of Disk Pool "{0}" was updated
37	State of Disk Volume "{0}" of Disk Group "{1}" was updated
38	Disk Volume "{0}" from Disk Group "{1}" was deleted
39	Volume Pool "{0}" was created
40	Volume Pool "{0}" was updated
41	Volume Pool "{0}" was deleted
42	Audit records for Master Server "{0}" were exported
43	Audit records for Master Server "{0}" were imported
44	Properties of host "{0}" were modified
51	Job "{0}" was suspended
52	Job "{0}" was resumed
53	Job "{0}" was canceled
54	Job "{0}" was deleted
55	Hold "{0}" was created
56	Hold "{0}" was deleted
57	Hold "{0}" was updated
58	Restore job ("{0}") for client "{1}" to client "{2}" was initiated

lookup_AuditOperation

Reference table for audit operations

Column Name	Data Type	Nulls	Primary Key
id	integer	N	Y
name	varchar(255)	Y	N

Foreign Tables

Primary Key Columns	Foreign Table	Foreign Key Columns
id	audit_Record	operationId

Translated Values

id	Translated Value
1	Create
2	Modify
3	Delete
4	Start
5	Stop

lookup_AuditSubCategory

Reference table for audit sub-category

Column Name	Data Type	Nulls	Primary Key
id	integer	N	Y
name	varchar(255)	Y	N

Foreign Tables

Primary Key Columns	Foreign Table	Foreign Key Columns
id	audit_Record	subCategoryId

Translated Values

id	Translated Value
0	General
1	Schedule
2	Client
3	File List
4	Disaster Recovery

lookup_BackupCopyMethod

Reference table for Backup Copy Method like Media Server Copy, Frozen Image Copy and so on

Column Name	Data Type	Nulls	Primary Key
id	integer	N	Y
name	varchar(255)	Y	N

Translated Values

id	Translated Value
0	Standard
1	Third-Party-Copy
2	Media-Server-Copy
3	Network-Attached-Storage
4	Persistent-Frozen-Image-Copy

lookup_BackupType

This table contains the possible backup type for a backup job

Column Name	Data Type	Nulls	Primary Key
id	integer	N	Y
name	varchar(255)	Y	N

Foreign Tables

Primary Key Columns	Foreign Table	Foreign Key Columns
id	domain_Job	backupType
id	domain_JobArchive	backupType
id	domain_ScheduledJob	executionType

Translated Values

id	Translated Value
-1	
0	Immediate
1	Scheduled
2	User-Directed
3	Quick Erase
4	Long Erase
5	Database Backup Staging
6	Database Backup Cold
7	7

lookup_CalendarType

Reference table for calendar types of schedule, such as calendar based, frequency based and so on

Column Name	Data Type	Nulls	Primary Key
id	integer	N	Y
name	varchar(255)	Y	N

Translated Values

id	Translated Value
0	No Calendar, frequency-based schedule.
1	Calendar-based schedule with no retries after run day
2	Calendar-based schedule with retires after run day

lookup_CapacityPlanning

Reference table for types of capacity planning i.e. Demand and Supply.

Column Name	Data Type	Nulls	Primary Key
id	integer	N	Y
name	varchar(255)	Y	N

Translated Values

id	Translated Value
1	Capacity Backed Up (Demand)
2	Available Free Media Capacity (Supply)

lookup_ClientStatus

Reference table for client status, like Offline, Online, Partially Online and so on

Column Name	Data Type	Nulls	Primary Key
id	integer	N	Y
name	varchar(255)	N	N

Translated Values

id	Translated Value
0	Offline
1	Online
2	Partially Online

lookup_CollectionLevel

Reference table for client image collection level, like Level_0, Level_1 and so on

Column Name	Data Type	Nulls	Primary Key
id	integer	N	Y
name	varchar(255)	Y	N

Foreign Tables

Primary Key Columns	Foreign Table	Foreign Key Columns
id	domain_ClientImageCollectionLevel	oldImageCollectionLevel

Translated Values

id	Translated Value
0	Level_0
1	Level_1
2	Level_2
3	Level_3

lookup_CompressionType

This table contains information per job as, if client compression is enabled in the policy for the backup job

Column Name	Data Type	Nulls	Primary Key
id	integer	N	Y
name	varchar(255)	Y	N

Foreign Tables

Primary Key Columns	Foreign Table	Foreign Key Columns
id	nb_Job	compression

Translated Values

id	Translated Value
-1	
0	No
1	Yes

lookup_ControlMode

Reference table for control mode of a drive type like AVR, Down, Operator, Pending, Mixed and so on

Column Name	Data Type	Nulls	Primary Key
id	integer	N	Y
name	varchar(255)	Y	N

Foreign Tables

Primary Key Columns	Foreign Table	Foreign Key Columns
id	nb_TapeDrive	controlMode
id	nb_TapeDrivePath	driveControl

Translated Values

id	Translated Value
-1	
1	Down
2	Operator
3	Automatic Volume Recognition
4	Mixed
5	Device Manager Down
6	Active
7	Scan
8	Pending
9	Restart
10	Down Robot Type
11	Pend Robot Type
12	Scan Robot Type
13	Robot Type

lookup_CopyFormat

Reference table for Copy Format like NDMP, Snapshot and so on

Column Name	Data Type	Nulls	Primary Key
id	integer	N	Y
name	varchar(255)	Y	N

Foreign Tables

Primary Key Columns	Foreign Table	Foreign Key Columns
id	domain_ImageCopyFormat	dataFormat

Translated Values

id	Translated Value
0	Undefined
1	Tar
2	Snapshot
3	NDMP

lookup_CopyState

This table holds valid values for state of the copy operation created using Storage Lifecycle policy.

Column Name	Data Type	Nulls	Primary Key
id	integer	N	Y
name	varchar(255)	Y	N

Foreign Tables

Primary Key Columns	Foreign Table	Foreign Key Columns
id	domain_SLPIImageCopy	copyState

Translated Values

id	Translated Value
0	Deleted
1	Not Started
2	In Process
3	Job Complete
4	In Process
5	Copy Complete
6	Cancelled
7	Can not Process
8	Deferred
9	Inactive
10	Paused

lookup_DataClassification

Reference table for NetBackup data classification types like Gold, Sliver, Platinum, and so on

Column Name	Data Type	Nulls	Primary Key
id	integer	N	Y
name	varchar(255)	Y	N

Translated Values

id	Translated Value
-1	Unknown
1	Platinum
2	Gold
3	Silver
4	Bronze
5	Testing

lookup_DataCollectionStatus

Reference table for Opscenter data collection status like Not Applicable, Not Started, Queued,Running, Completed, Failed, Not Licensed, Disabled, Black Out

Column Name	Data Type	Nulls	Primary Key
id	integer	N	Y
status	varchar(255)	N	N

Translated Values

id	Translated Value
0	Not Applicable
1	Not Started
2	Queued
3	Running
4	Completed
5	Failed
6	Not Licensed
7	Disabled
8	Black Out

lookup_DataCollectorType

Reference table for OpsCenter data collection type like OPSCENTER, VBR, VBR_OPSCENTER, Unknown

Column Name	Data Type	Nulls	Primary Key
id	integer	N	Y
name	varchar(255)	Y	N

Translated Values

id	Translated Value
-1	Unknown
1	OPSCENTER
2	VBR
3	VBR_OPSCENTER

lookup_DataMoverType

This table contains possible values for data mover types.

Column Name	Data Type	Nulls	Primary Key
id	integer	N	Y
name	varchar(255)	Y	N

Foreign Tables

Primary Key Columns	Foreign Table	Foreign Key Columns
id	nb_Job	dataMovement
id	nb_JobArchive	dataMovement
id	nb_Policy	dataMoverType

Translated Values

id	Translated Value
-1	
0	Standard
1	Instant Recovery Disk
2	Instant Recovery Disk and Tape
3	Synthetic
4	Disk Staging
5	Snapshot

lookup_DataType

Reference table for Opscenter data type like job,media,policy and so on

Column Name	Data Type	Nulls	Primary Key
id	integer	N	Y
dataType	varchar(255)	N	N
isVisible	bit	N	N

Translated Values

id	Translated Value
1	Job
2	Media
3	Policy & Schedule
4	Tape Drive Information
5	Skipped Files
6	Throughput
7	Images
8	Archive Policy
9	Vault Store
10	Target
11	Archive
12	Catalog
13	Client
14	Device
15	Disk
16	FT
17	License
18	Media Server
19	Service
20	Storage Service
21	Volume
22	Storage Unit
23	Oracle
24	Scheduled Jobs
25	Error Logs
26	Audit
27	Host Properties
28	Hold
29	Index
30	SubJobs
50	Legacy License

90 | OpsCenter Database Tables

id	Translated Value
51	Fetb License
52	Sfr
53	Appliance Hardware
54	Storage Service Event
55	Robot
56	Robot Slot Count
57	Storage Unit Group
58	Volume Group
59	Volume Pool
60	Protected Clients
61	SLP Image
62	BMR Job Status
63	BMR, Skipped Files and Job Throughput
64	Retention Level
65	Virtual Machine
66	Appliance
67	Cloud

lookup_DensityType

This table stores information about density of media.

Column Name	Data Type	Nulls	Primary Key
id	integer	N	Y
identifier	varchar(255)	Y	N
oemDensityName	varchar(255)	Y	N

Foreign Tables

Primary Key Columns	Foreign Table	Foreign Key Columns
id	lookup_DriveType	defaultDensityTypeOrdinal
id	lookup_RobotType	defaultDensityType
id	nb_StorageUnit	density
id	nb_TapeDrivePendingRequests	density

Translated Values

id	Translated Value
-1	undefined
0	qscsi
6	hcart
9	odiskwm
10	odiskwo
12	4mm
13	dlt
14	hcart2
15	dlt2
16	8mm
17	8mm2
19	dtf
20	hcart3
21	dlt3
22	8mm3
23	sdlt
24	lto
25	ait

lookup_DiskPoolStatus

Reference table for disk pool statuses, such as Up, Down, Running, Deleting, Unknown

Column Name	Data Type	Nulls	Primary Key
id	integer	N	Y
name	varchar(255)	Y	N

Foreign Tables

Primary Key Columns	Foreign Table	Foreign Key Columns
id	domain_DiskPool	status

Translated Values

id	Translated Value
0	Unknown
1	Incomplete
2	Up
3	Down
4	Deleting
15	States
4096	Updating
4097	Transient(Updating Incomplete)
4098	Transient(Updating Up)
4099	Transient(Updating Down)
4100	Transient(Updating Deleting)
61440	Locks

lookup_DiskPoolType

Reference table for disk pool type like Formatted Disk, Raw Disk, Raw Disk Formatted Disk, Direct Attached and so on

Column Name	Data Type	Nulls	Primary Key
id	integer	N	Y
name	varchar(255)	Y	N

Foreign Tables

Primary Key Columns	Foreign Table	Foreign Key Columns
id	nb_DiskPool	type

Translated Values

id	Translated Value
1	Formatted Disk
2	Raw Disk
3	Raw Disk Formatted Disk
4	Direct Attached
5	Direct Attached Formatted Disk
6	Direct Attached Raw Disk
7	Direct Attached Raw Disk Formatted Disk
8	Network Attached
9	Network Attached Formatted Disk
10	Network Attached Raw Disk
11	Network Attached Raw Disk Formatted Disk
12	Network Attached Direct Attached
13	Network Attached Direct Attached Formatted Disk
14	Network Attached Direct Attached Raw Disk
15	Network Attached Direct Attached Raw Disk Formatted Disk

lookup_DiskVolumeStatus

Reference table for Disk Volume Status like Up, Down, Unknown

Column Name	Data Type	Nulls	Primary Key
id	integer	N	Y
name	varchar(255)	Y	N

Foreign Tables

Primary Key Columns	Foreign Table	Foreign Key Columns
id	nb_DiskVolume	state

Translated Values

id	Translated Value
0	Unknown
1	Up
2	Down
3	Transient

lookup_DomainType

Reference table for domain types

Column Name	Data Type	Nulls	Primary Key
id	integer	N	Y
name	varchar(255)	Y	N

Foreign Tables

Primary Key Columns	Foreign Table	Foreign Key Columns
id	audit_UserIdentity	domainType

Translated Values

id	Translated Value
0	unknown
1	nt
2	nisplus
3	vx
4	unixpwd
5	ldap
6	nis
7	localhost

lookup_DriveReachableState

Reference table for reachable state of a drive like Reachable, Unreachable, Mixed in case of shared drive when drive is reachable from some of the hosts and not reachable from some hosts.

Column Name	Data Type	Nulls	Primary Key
id	integer	N	Y
name	varchar(255)	Y	N

Foreign Tables

Primary Key Columns	Foreign Table	Foreign Key Columns
id	nb_TapeDrive	reachable
id	nb_TapeDrivePath	reachable

Translated Values

id	Translated Value
-1	
0	Unreachable
1	Reachable
2	Mixed

lookup_DriveStatus

Reference table for the status of drive like Up, Down, Disabled, or Mixed. In case of shared drive, if status of drive for all the hosts is not the same.

Column Name	Data Type	Nulls	Primary Key
id	integer	N	Y
name	varchar(255)	Y	N

Foreign Tables

Primary Key Columns	Foreign Table	Foreign Key Columns
id	nb_TapeDrive	driveStatus

Translated Values

id	Translated Value
-1	Unknown
1	Up
2	Down
3	Mixed
4	Disabled

lookup_DriveType

Reference table for different drive types along with their density type and media type

Column Name	Data Type	Nulls	Primary Key
id	integer	N	Y
defaultDensityTypeOrdinal	integer	Y	N
defaultMediaTypeOrdinal	integer	Y	N
identifier	varchar(255)	Y	N
oemDriveName	varchar(255)	Y	N

Primary Tables

Foreign Key Columns	Primary Table	Primary Key Columns
defaultDensityTypeOrdinal	lookup_DensityType	id
defaultMediaTypeOrdinal	lookup_MediaType	id

Foreign Tables

Primary Key Columns	Foreign Table	Foreign Key Columns
id	domain_TapeDrive	type
id	domain_TapeDriveHistory	type

Translated Values

id	Translated Value
-1	Unknown
0	qscsi
3	hcart
6	odisk
8	4mm
9	dlt
10	hcart2
11	dlt2
12	8mm
13	8mm2
15	dtf
16	hcart3
17	dlt3
18	8mm3
19	sdlit
20	lto

id	Translated Value
21	ait

lookup_EntityType

Reference table for entity types in OpsCenter like Master Server, Media Server, Policy, Report, Saved Report and so on

Column Name	Data Type	Nulls	Primary Key
id	integer	N	Y
deletable	bit	N	N
name	varchar(255)	N	N

Foreign Tables

Primary Key Columns	Foreign Table	Foreign Key Columns
id	domain_Entity	entityType
id	managedObject_EntityAttribute	entityType

Translated Values

id	Translated Value
1	Generic
2	Master Server
4	Media Server
6	Master_Media
8	Client
10	Master_Client
12	Media_Client
14	Master_Media_Client
16	File System
32	Policy
64	Report
128	SaveReport
256	Exchange Server
512	Enterprise Vault Server
1024	Vault
2048	Dedupe_Appliance_CR

lookup_FatServiceState

Reference table for FT service states like Online, Offline, Disabled and so on

Column Name	Data Type	Nulls	Primary Key
id	integer	N	Y
name	varchar(255)	N	N

Foreign Tables

Primary Key Columns	Foreign Table	Foreign Key Columns
id	nb_FatClient	state
id	nb_FatServer	state

Translated Values

id	Translated Value
-1	
0	Unknown State
1	Online
2	Offline
3	Disabled
4	Discovery In Progress

lookup_HostType

Reference table for Host Type like Master Server, Media Server, Unknown

Column Name	Data Type	Nulls	Primary Key
id	integer	N	Y
name	varchar(255)	Y	N

Foreign Tables

Primary Key Columns	Foreign Table	Foreign Key Columns
id	nb_Service	hostType

Translated Values

id	Translated Value
-1	Unknown
1	Master Server
2	Media Server

lookup_ImageTIRStatus

Reference table for True Image Restore status like In Progress, Synthetic on Disk and so on

Column Name	Data Type	Nulls	Primary Key
id	integer	N	Y
name	varchar(255)	Y	N

Translated Values

id	Translated Value
-1	
0	None
1	Info in Progress
2	Info on Disk
3	Info not on Disk
4	Rsv Synthetic Info on Disk
5	Synthetic Info on Disk

lookup_ImageType

Reference table for Image Type like Regular, Backup Exec, Imported and so on

Column Name	Data Type	Nulls	Primary Key
id	integer	N	Y
name	varchar(255)	Y	N

Translated Values

id	Translated Value
-1	
0	Regular
1	Pre-Import
2	Pre-Import BE
3	Imported
4	Backup Exec
5	Backup Exec 2

lookup_JobOperationType

This table contains the possible operation executed by a backup job

Column Name	Data Type	Nulls	Primary Key
id	integer	N	Y
name	varchar(255)	Y	N

Foreign Tables

Primary Key Columns	Foreign Table	Foreign Key Columns
id	nb_JobAttempt	operation
id	nb_JobAttemptArchive	operation
id	nb_JobProcessAttribute	operation
id	nb_JobProcessAttributeArchive	operation

Translated Values

id	Translated Value
-2	Ended
-1	
0	Mounting
1	Positioning
2	Connecting
3	Writing
4	Choosing Images
5	Duplicating Images
6	Choosing Media
7	Catalog Backup
8	Eject and Report
9	Done
10	Reading
11	Duplication
12	Import
13	Verify
14	Restore
15	Catalog Backup
16	Vault
17	Label
18	Erase
19	Query Database
20	Process Extents

id	Translated Value
21	Planning Read/Write Actions
22	Creating Snapshot
23	Deleting Snapshot
24	Catalog Recovery
25	Media Contents
26	Request Resources
27	Parent Job
28	Indexing
29	Duplicate to remote master
30	Running

lookup_JobState

The table contains the possible values for state of a backup job

Column Name	Data Type	Nulls	Primary Key
id	integer	N	Y
name	varchar(255)	Y	N

Foreign Tables

Primary Key Columns	Foreign Table	Foreign Key Columns
id	domain_Job	state
id	domain_JobArchive	state

Translated Values

id	Translated Value
-100	Unknown
-4	Deleted
-3	New
-2	Corrupt
-1	Undefined
0	Queued
1	Active
2	Waiting for Retry
3	Done
4	Suspended
5	Incomplete
100	Cancelled
102	On Hold
106	Missed

lookup_JobStatus

Reference table for Job Status (like Successful, Partially Successful, Failed, or Missed)

Column Name	Data Type	Nulls	Primary Key
id	integer	N	Y
name	varchar(255)	Y	N

Translated Values

id	Translated Value
-1	Unknown
0	Successful
1	Partially Successful
2	Failed
3	Missed

lookup_JobStatusCode

This table contains the possible values for the exit code of a backup job.

Column Name	Data Type	Nulls	Primary Key
id	bigint	N	Y
isHex	bit	N	N
name	text	Y	N

Foreign Tables

Primary Key Columns	Foreign Table	Foreign Key Columns
id	domain_Job	statusCode
id	domain_JobArchive	statusCode
id	nb_JobAttempt	statusCode
id	nb_JobAttemptArchive	statusCode

lookup_JobSubType

This table contains the possible types of backup for each directory under a job

Column Name	Data Type	Nulls	Primary Key
id	integer	N	Y
name	varchar(255)	N	N

Foreign Tables

Primary Key Columns	Foreign Table	Foreign Key Columns
id	domain_Job	subType
id	domain_JobArchive	subType

Translated Values

id	Translated Value
-1	Unknown
0	Undefined
1	File System
2	TSM Database
3	TSM Storage Pool
4	MS Exchange
5	Lotus Domino
6	MS SQL
7	Oracle
8	DB2
9	System State and Services
10	Disaster Recovery
11	Export To NetBackup
12	Catalog
13	Vault
14	SAP
15	Sybase
16	MS Share Point
17	Informix
18	Datastore
19	NDMP
20	Full System
21	UNC Path
22	PDDO
23	Enterprise Vault

id	Translated Value
24	Maintenance
28	SQL BackTrack
29	Proxy
30	Non standard
31	Apollo wbak
32	Any
33	DataTools SQL BackTrack
34	Auspex FastBackup
35	FlashBackup
36	Split Mirror
37	AFS
38	DFS
39	Teradata
40	OpenVMS
41	MPE/iX
42	FlashBackup Windows
43	Disk Staging
44	Generic
45	CMS DB
46	PureDisk Export
47	VMware
48	Hyper-V
49	Synthetic
50	Rotation

lookup_JobType

Reference table for Job Type (like Backup, Archive, Restore, Verify, Duplicate, Image Import)

Column Name	Data Type	Nulls	Primary Key
id	integer	N	Y
name	varchar(255)	N	N

Foreign Tables

Primary Key Columns	Foreign Table	Foreign Key Columns
id	domain_Job	type
id	domain_JobArchive	type

Translated Values

id	Translated Value
-1	Undefined
0	Backup
1	Archive
2	Restore
3	Verify
4	Duplication
5	Image Import
6	Catalog Backup
7	Vault
8	Label
9	Erase
10	Tape Request
11	Cleaning
12	Tape Formatting
13	Inventory
14	DQTS
15	DB Recover
16	Media Contents
17	Image Cleanup
18	LiveUpdate
19	Generic
20	Replication
21	Import
22	Backup From Snapshot
25	Application State Capture

id	Translated Value
26	Index for Search
27	Index Cleanup for Search
28	Snapshot
29	Index From Snapshot
30	Activate Instant Recovery
31	Deactivate Instant Recovery
32	Reactivate Instant Recovery
33	Stop Instant Recovery
34	VM Instant Recovery
35	35
100	None
1020	Retrieve
1021	Utility
1022	Retention
1023	Tape Eject
1024	Automatic Discovery & Protection
1025	Report
1026	Test Run
1027	Task Last
1029	Migration
1030	Reclamation
1031	Storage Pool Management

lookup_OS

Reference table for all ioperating systems like Windows,Solaris, Linux, HP, AIX

Column Name	Data Type	Nulls	Primary Key
id	integer	N	Y
name	varchar(255)	N	N

Foreign Tables

Primary Key Columns	Foreign Table	Foreign Key Columns
id	domain_Client	osType
id	domain_MasterServer	osType
id	domain_MediaServer	osType

Translated Values

id	Translated Value
-1	Unknown
0	
1	Solaris_x86_9
2	OSF1_V5
3	HP-UX11.00
4	HP-UX11.11
5	HP-UX11.23
6	FreeBSD5.3
7	IBMpSeriesRedHat2.6
8	IBMpSeriesSuSE2.6
9	IBMzSeriesLinux2.4.21
10	IBMzSeriesRedHat2.6
11	IBMzSeriesSuSE2.6
12	RedHat2.4
15	RedHat2.6
16	SuSE2.4
17	SuSE2.6
18	MacOSX10.3
19	MacOSX10.4
20	NDMP
21	NetWare
22	OpenVMS_Alpha
23	OpenVMS_I64
24	OpenVMS_VAX

id	Translated Value
25	Windows2000
26	WindowsNT
27	WindowsVista
28	Windows2003
29	Windows2008
30	WindowsXP
31	AIX
32	AIX5
33	Suse
34	IRIX65
35	Solaris10
36	Solaris8
37	Solaris9
38	Solaris_x86_10
39	Solaris_x86_10_64
40	Solaris_x86_8
41	41
42	42
43	43
44	44
45	45
46	46

lookup_MasterServerStatus

Reference table for Master Server Status

Column Name	Data Type	Nulls	Primary Key
id	integer	N	Y
name	varchar(255)	Y	N

Foreign Tables

Primary Key Columns	Foreign Table	Foreign Key Columns
id	domain_MasterServer	status

Translated Values

id	Translated Value
-1	Unknown
1	Connected
3	Not Connected
4	Disabled
5	Retired
6	Dummy
7	7

lookup_MediaRole

Reference table for media roles like Unassigned, Regular Backups, Catalog Backups and so on

Column Name	Data Type	Nulls	Primary Key
id	integer	N	Y
name	varchar(255)	Y	N

Foreign Tables

Primary Key Columns	Foreign Table	Foreign Key Columns
id	domain_Media	role

Translated Values

id	Translated Value
-1	Unknown
0	Unassigned
1	Regular Backups
2	Catalog Backups
3	Storage Migrator
4	Storage Migrator for Microsoft Enterprise/Windows

lookup_MediaStatus

Reference table for status of the media, such as Active, Non-active, Suspended, Frozen and so on

Column Name	Data Type	Nulls	Primary Key
id	integer	N	Y
name	varchar(255)	Y	N

Foreign Tables

Primary Key Columns	Foreign Table	Foreign Key Columns
id	domain_Media	status
id	domain_MediaHistory	status

Translated Values

id	Translated Value
-100	Non Active
-99	Other
-1	Other
0	Active
1	Frozen
2	Suspended
4	Retired
8	Full
64	Multiple Retention Levels
128	Imported
516	Multiplexed
2048	WORM
4096	BE
4097	Unreported

lookup_MediaSubType

Reference table for the subtypes of media for example, Basic Disk, Snap Vault, Array Disk and so on

Column Name	Data Type	Nulls	Primary Key
id	integer	N	Y
name	varchar(255)	Y	N

Foreign Tables

Primary Key Columns	Foreign Table	Foreign Key Columns
id	nb_StorageUnit	mediaSubType

Translated Values

id	Translated Value
-1	
0	Default
1	Basic Disk
2	NearStore
3	SnapVault
4	ArrayDisk
5	PureDisk
6	DiskPool

lookup_MediaType

Reference table for the different media types used in NetBackup. NetBackup uses media types to differentiate the media that have different physical characteristics. Each media type may represent a specific physical media type. For example, NetBackup media type of 8MM, 8MM2, or 8MM3 can represent Sony AIT media.

Column Name	Data Type	Nulls	Primary Key
id	integer	N	Y
fullName	varchar(255)	Y	N
identifier	varchar(255)	Y	N
oemMediaName	varchar(255)	Y	N
validDriveTypeBitmap	varchar(255)	Y	N

Foreign Tables

Primary Key Columns	Foreign Table	Foreign Key Columns
id	domain_Media	type
id	lookup_DriveType	defaultMediaTypeOrdinal
id	lookup_RobotType	defaultMediaType
id	nb_SummaryMedia	mediaTypeOrdinal

Translated Values

id	Translated Value
-1	
0	DEFAULT
1	REWR_OPT
2	WORM_OPT
4	8MM
5	8MM_CLN
6	HCART
8	QCART
9	4MM
10	4MM_CLN
11	DLT
12	DLT_CLN
13	HC_CLN
14	HCART2
15	HC2_CLN
16	DLT2
17	DLT2_CLN
18	8MM2
19	8MM2_CLN

id	Translated Value
22	DTF
23	DTF_CLN
24	HCART3
25	HC3_CLN
26	DLT3
27	DLT3_CLN
28	8MM3
29	8MM3_CLN
30	SDLT
31	LTO
32	AIT
33	B2D
34	BLANK
35	SCANNED

lookup_MemberState

Reference table for the state of a security member, who has been granted permission in Ops Center

Column Name	Data Type	Nulls	Primary Key
id	integer	N	Y
name	varchar(255)	N	N

Translated Values

id	Translated Value
0	Enabled
1	Disabled

lookup_OffHostType

Reference table for OffHost types. i.e. Standard, Alternate Client, Network Attached Storage etc.

Column Name	Data Type	Nulls	Primary Key
id	integer	N	Y
name	varchar(255)	Y	N

Foreign Tables

Primary Key Columns	Foreign Table	Foreign Key Columns
id	nb_Job	offHostType
id	nb_JobArchive	offHostType

Translated Values

id	Translated Value
0	Standard
1	Alternative Client
2	Third Party Copy
3	Media Server Copy
4	Network Attached Storage
5	NDMP

lookup_PathStatus

This table stores information about the status of the path.

Column Name	Data Type	Nulls	Primary Key
id	integer	N	Y
name	varchar(255)	Y	N

Foreign Tables

Primary Key Columns	Foreign Table	Foreign Key Columns
id	nb_Robot	pathStatus
id	nb_TapeDrivePath	pathStatus

Translated Values

id	Translated Value
-1	Unknown
0	
1	Up
2	Down
3	Disabled

lookup_PolicyEncryptionType

Reference table for policy encryption type that is Yes or No.

Column Name	Data Type	Nulls	Primary Key
id	integer	N	Y
name	varchar(255)	Y	N

Foreign Tables

Primary Key Columns	Foreign Table	Foreign Key Columns
id	nb_Policy	clientEncrypt

Translated Values

id	Translated Value
-1	Unknown
0	No
1	Yes

lookup_PolicyStatus

Reference table for policy status types that is Active, Failed and so on

Column Name	Data Type	Nulls	Primary Key
id	integer	N	Y
name	varchar(255)	Y	N

Foreign Tables

Primary Key Columns	Foreign Table	Foreign Key Columns
id	domain_Policy	status

Translated Values

id	Translated Value
-1	Unknown
0	Active
1	Retired
2	Pending
3	Failed
4	Deleted

lookup_PolicyType

Reference table for policy types i.e. Standard, Oracle and so on

Column Name	Data Type	Nulls	Primary Key
id	integer	N	Y
name	varchar(255)	Y	N

Foreign Tables

Primary Key Columns	Foreign Table	Foreign Key Columns
id	domain_Job	policyType
id	domain_JobArchive	policyType
id	domain_Policy	type

Translated Values

id	Translated Value
-1	
0	Standard
1	Proxy
2	Non-standard
3	Apollo-wbak
4	Oracle
5	Any
6	Informix-On-BAR
7	Sybase
8	MS-SharePoint
9	IGNORE:CT_WINDOWS
10	Netware
11	DataTools-SQL-BackTrack
12	Auspex-FastBackup
13	MS-Windows
14	OS/2
15	MS-SQL-Server
16	MS-Exchange-Server
17	SAP
18	DB2
19	NDMP
20	FlashBackup
21	Split-Mirror
22	AFS

id	Translated Value
23	DFS
24	DataStore
25	Lotus-Notes
26	Teradata
27	OpenVMS
28	MPE/iX
29	FlashBackup-Windows
30	Vault
31	BE-MS-SQL-Server
32	BE-MS-Exchange-Server
33	Macintosh
34	Disk Staging
35	NBU-Catalog
36	Generic
37	CMS-DB
38	PureDisk-Export
39	Enterprise-Vault
40	VMware
41	Hyper-V
140	Synthetic
141	Rotation

lookup_PoolType

Reference table for Pool Type like Regular, Scratch, Catalog

Column Name	Data Type	Nulls	Primary Key
id	integer	N	Y
name	varchar(255)	Y	N

Translated Values

id	Translated Value
0	Regular
1	Scratch
2	Catalog

lookup_Product

Reference table for products supported in OpsCenter like Symantec NetBackup, Smantec NetBackup PureDisk and so on

Column Name	Data Type	Nulls	Primary Key
id	integer	N	Y
name	varchar(255)	N	N

Foreign Tables

Primary Key Columns	Foreign Table	Foreign Key Columns
id	domain_Client	product
id	domain_Entity	productType
id	domain_MasterServer	product
id	domain_MediaServer	product
id	lookup_ProductVersion	productId

Translated Values

id	Translated Value
-1	
0	
1	Symantec NetBackup
4	Symantec NetBackup Master Appliance
16	Symantec NetBackup Media Appliance
32	Symantec NetBackup Media Server Appliance
128	Symantec Backup Exec
256	Symantec NetBackup PureDisk
512	Symantec Enterprise Vault
1024	IBM Tivoli Storage Manager
2048	EMC NetWorker
4096	Symantec NetBackup Deduplication Appliance

lookup_ProductVersion

Reference table for product version, such as all release versions

Column Name	Data Type	Nulls	Primary Key
id	integer	N	Y
buildNumber	varchar(255)	Y	N
displayName	varchar(255)	N	N
majorVersion	varchar(255)	N	N
minorVersion	varchar(255)	Y	N
name	varchar(255)	N	N
patch	varchar(255)	Y	N
pointVersion	varchar(255)	Y	N
productId	integer	N	N

Primary Tables

Foreign Key Columns	Primary Table	Primary Key Columns
productId	lookup_Product	id

Translated Values

id	Translated Value
-1	
0	
1	Symantec NetBackup 3.4.x
2	Symantec NetBackup 4.5
3	Symantec NetBackup 5.x
4	Symantec NetBackup 6.0.0
5	Symantec NetBackup 6.0.1
6	Symantec NetBackup 6.0.2
7	Symantec NetBackup 6.0.3
8	Symantec NetBackup 6.0.4
9	Symantec NetBackup 6.0.5
10	Symantec NetBackup 6.0.6
11	Symantec NetBackup 6.0.7
12	Symantec NetBackup 6.0.8
13	Symantec NetBackup 6.0.9
14	Symantec NetBackup 6.5.0
15	Symantec NetBackup 6.5.1
16	Symantec NetBackup 6.5.2
17	Symantec NetBackup 6.5.3

id	Translated Value
18	Symantec NetBackup 6.5.4
19	Symantec NetBackup 6.5.5
20	Symantec NetBackup 6.5.6
21	Symantec NetBackup 6.5.7
22	Symantec NetBackup 6.5.8
23	Symantec NetBackup 6.5.9
24	Symantec NetBackup 7.0.0
101	Symantec Backup Exec 10.0
102	Symantec Backup Exec 10d
103	Symantec Backup Exec 11d
104	Symantec Backup Exec 12.0
105	Symantec Backup Exec 12.5
106	Symantec Backup Exec 2010
201	Symantec NetBackup PureDisk 6.2
202	Symantec NetBackup PureDisk 6.2.1
203	Symantec NetBackup PureDisk 6.5
204	Symantec NetBackup PureDisk 6.2.2
205	Symantec NetBackup PureDisk 6.5.0.1
206	Symantec NetBackup PureDisk 6.5.1
207	Symantec NetBackup PureDisk 6.6
301	Symantec Enterprise Vault 7.5
302	Symantec Enterprise Vault 8.0
303	Symantec Enterprise Vault 9.0
304	Symantec Enterprise Vault 10.0
401	IBM Tivoli Storage Manager 5.3
402	IBM Tivoli Storage Manager 5.4
403	IBM Tivoli Storage Manager 5.5
501	EMC NetWorker 6.x
502	EMC NetWorker 7.x

lookup_QueuedReason

This table contains information on the reasons because of which a NetBackup job can be delayed

Column Name	Data Type	Nulls	Primary Key
id	integer	N	Y
name	varchar(255)	Y	N

Foreign Tables

Primary Key Columns	Foreign Table	Foreign Key Columns
id	nb_JobBackupAttributes	queuedReason
id	nb_JobBackupAttributesArchive	queuedReason

Translated Values

id	Translated Value
-1	
0	
1	Media is in use
2	Drives are in use
3	Tape media server is not active
4	Robotic Library is Down on Server
5	Maximum Job Count has been Reached for The Storage Unit
6	Waiting for Media Request Delay to Expire
7	Local Drives are Down
8	Media is in a Drive That is in Use by NetBackup
9	Physical Drives are not Available for Use
10	Cleaning Media is not Available for Use
11	Drive Scan Host is not Active
12	Disk Media Server is not Active
13	Media Server is Currently not Connected to Master Server
14	Media Server is not an Active Node of a Cluster
15	Storage Unit Concurrent Jobs Throttled
16	Job History Indicates That Drives are in Use
17	Disk Volume is Temporarily Unavailable
18	Maximum Number of Concurrent Disk Volume Readers has been Reached
19	Disk Pool is Unavailable
20	FT Pipes are in Use
21	Disk Volume is Unmounting
22	Disk Volume is in Use
23	Maximum Partially Full Volumes has been Reached

id	Translated Value
24	Limit has been reached for requested resource
25	Drives are in Use in Storage Unit
26	Waiting for Shared Tape Drive Scan to Stop
27	Waiting for Mount of Disk Volume
28	Mount Point for Tape Already Exists
29	Pending Action

lookup_ReconciledJobType

This table stores the possible reasons for reconciliation of a backup job

Column Name	Data Type	Nulls	Primary Key
id	integer	N	Y
name	varchar(255)	Y	N

Foreign Tables

Primary Key Columns	Foreign Table	Foreign Key Columns
id	domain_ReconciledJob	reconciliationType
id	domain_ReconciledJobArchive	reconciliationType

Translated Values

id	Translated Value
-1	Unknown
1	Host could not be reached
2	Host rebooted during backup
3	User terminated
4	Exceeded allowable time frame
5	Un-Reconcile

lookup_Replication

Reference table for Replication like Source, Target, Mirror and so on

Column Name	Data Type	Nulls	Primary Key
id	integer	N	Y
name	varchar(255)	N	N

Foreign Tables

Primary Key Columns	Foreign Table	Foreign Key Columns
id	nb_StorageUnit	replication
id	nb_StorageUnitGroup	replication

Translated Values

id	Translated Value
0	None
1	Source
2	Target
3	Source,Target
4	Mirror
5	Source (Mirror)
6	Target (Mirror)
7	Source,Target (Mirror)
8	Independent
9	Source (Independent)
10	Target (Independent)
11	Source,Target (Independent)
13	Source (Mirror, Independent)
14	Target (Mirror, Independent)
15	Source,Target (Mirror, Independent)

lookup_RetentionLevelUnit

Reference table for retention-level unit like days, months, minutes, seconds

Column Name	Data Type	Nulls	Primary Key
id	integer	N	Y
name	varchar(255)	N	N

Foreign Tables

Primary Key Columns	Foreign Table	Foreign Key Columns
id	nb_RetentionLevel	unit

Translated Values

id	Translated Value
-1	Infinite
1	Days
2	Weeks
3	Months
4	Years
5	Seconds
6	Minutes
7	Hours

lookup_RetentionUnit

Reference table for retentionunit like days ,week,month,year

Column Name	Data Type	Nulls	Primary Key
id	integer	N	Y
name	varchar(255)	Y	N

Translated Values

id	Translated Value
0	Days
1	Weeks
2	Months
3	Years

lookup_RobotType

This table stores information about type of robot.

Column Name	Data Type	Nulls	Primary Key
id	integer	N	Y
defaultDensityType	integer	Y	N
defaultMediaType	integer	Y	N
fullName	varchar(255)	Y	N
identifier	varchar(255)	Y	N
oemRobotName	varchar(255)	Y	N

Primary Tables

Foreign Key Columns	Primary Table	Primary Key Columns
defaultDensityType	lookup_DensityType	id
defaultMediaType	lookup_MediaType	id

Foreign Tables

Primary Key Columns	Foreign Table	Foreign Key Columns
id	domain_Media	libraryType
id	domain_TapeLibrary	type
id	nb_StorageUnit	robotType
id	nb_TapeDrive	robotType

Translated Values

id	Translated Value
-1	
0	NONE
1	ACS
2	TS8
5	ODL
6	TL8
7	TL4
8	TLD
10	TSD
11	TSH
12	TLH
13	TLM
17	LMF

id	Translated Value
18	RSM
19	TLS
20	TLL
21	TLA
22	SCSI
23	CHANGER FS 0
24	CHANGER FS 1

lookup_ScheduleLevelType

Reference table for schedule level type that is frequency or calendar based.

Column Name	Data Type	Nulls	Primary Key
id	integer	N	Y
name	varchar(255)	Y	N

Translated Values

id	Translated Value
0	Frequency Based
1	Calendar Based

lookup_ScheduleType

Reference table for schedule type, such as full, incremental and so on

Column Name	Data Type	Nulls	Primary Key
id	integer	N	Y
name	varchar(255)	Y	N

Foreign Tables

Primary Key Columns	Foreign Table	Foreign Key Columns
id	domain_Job	scheduleType
id	domain_JobArchive	scheduleType
id	domain_Schedule	type

Translated Values

id	Translated Value
-1	
0	Full
1	Differential Incremental
2	User backup
3	User archive
4	Cumulative Incremental
5	Archived Redo Log Backup
6	Skip
7	Consolidate
8	Copy
9	Daily
10	Working Set
11	Full with all logs
12	Incremental by modified time
13	Differential by modified time
14	Full by modified time
15	Image
16	Database
17	Selective
18	Log
19	Set
20	Group
98	Incremental
99	Automatic Vault

lookup_ServiceState

Reference table for service state like running,stop,unknown,not licensed and so on

Column Name	Data Type	Nulls	Primary Key
id	integer	N	Y
name	varchar(255)	Y	N

Foreign Tables

Primary Key Columns	Foreign Table	Foreign Key Columns
id	nb_Service	state

Translated Values

id	Translated Value
0	Unknown
1	Not Installed
2	Not Licensed
3	Start Pending
4	Running
5	Stop Pending
6	Stopped
7	Failed
8	Restart Pending
12	Disabled

lookup_ServiceType

Reference table for service type like database manager,request deamon,job manager and so on

Column Name	Data Type	Nulls	Primary Key
id	integer	N	Y
name	varchar(255)	Y	N

Foreign Tables

Primary Key Columns	Foreign Table	Foreign Key Columns
id	nb_Service	serviceTypeid

Translated Values

id	Translated Value
-1	Unknown
1	Database Manager
2	Request Daemon
3	Device Manager
4	Enterprise Media Manager
5	Job Manager
6	Notification Service
7	Policy Execution Manager
8	Resource Broker
9	Service Layer
10	Vault Manager
11	Volume Manager
12	Adaptive Server Anywhere - VERITAS_NB
13	Bare Metal Restore Daemon
14	Client Service
15	Compatibility Service
16	Service Monitor
17	Event Manager
18	Remote Manager and Monitoring Service
19	SAN Client Fibre Transport Service
20	Storage Service and Expiration Manager
21	Key Management Service
22	NetBackup Deduplication Engine
23	NetBackup Deduplication Manager
24	Agent Request Server
25	NetBackup Audit Manager

id	Translated Value
26	NetBackup Authentication
27	NetBackup Authorization
28	NetBackup CloudStore Service Container
29	nbftsvr
30	nbfdrv64
31	Indexing & Hold Service
32	NetBackup Discovery Framework
33	Client Daemons
34	NetBackup SureScale Deduplication Service
35	Web Management Console

lookup_SLPState

This table holds valid values for state of the Storage Lifecycle Policy.

Column Name	Data Type	Nulls	Primary Key
id	integer	N	Y
name	varchar(255)	Y	N

Foreign Tables

Primary Key Columns	Foreign Table	Foreign Key Columns
id	domain_SLPImage	storageServiceState

Translated Values

id	Translated Value
0	Deleted
1	Not Started
2	In Process
3	Complete
9	Inactive
10	Paused

lookup_StorageServerState

Reference table for the state of storage server like Up/Down.

Column Name	Data Type	Nulls	Primary Key
id	integer	N	Y
name	varchar(255)	Y	N

Foreign Tables

Primary Key Columns	Foreign Table	Foreign Key Columns
id	nb_StorageServer	state

Translated Values

id	Translated Value
0	Unknown
1	Up
2	Down
3	Transient
9	Continue Pending
10	Pause Pending
11	Paused

lookup_StorageServiceRetentionLevel

This table stores valid values for retentions used in the Storage Lifecycle Policy.

Column Name	Data Type	Nulls	Primary Key
id	integer	N	Y
name	varchar(255)	Y	N

Foreign Tables

Primary Key Columns	Foreign Table	Foreign Key Columns
id	nb_StorageServiceDestInfo	retentionLevel

Translated Values

id	Translated Value
-1	Unknown
0	1 week
1	2 weeks
2	3 weeks
3	1 Month
4	2 Months
5	3 Months
6	6 Months
7	9 Months
8	1 Year
9	Infinity
10	Infinity
11	Infinity
12	Infinity
13	Infinity
14	Infinity
15	Infinity
16	Infinity
17	Infinity
18	Infinity
19	Infinity
20	Infinity
21	Infinity
22	Infinity
23	Infinity
24	Infinity

lookup_StorageServiceRetentionType

This table holds valid values for retention types used in the Storage Lifecycle policy.

Column Name	Data Type	Nulls	Primary Key
id	integer	N	Y
name	varchar(255)	Y	N

Foreign Tables

Primary Key Columns	Foreign Table	Foreign Key Columns
id	domain_SLPIImageCopy	expirationType
id	nb_StorageServiceDestInfo	retentionType

Translated Values

id	Translated Value
-1	Unknown
0	Fixed
1	Capacity managed
2	Expire After Copy
3	Target Retention
4	Maximum Snapshot Limit
5	Mirror

lookup_StorageServiceSecondaryOperation

This table contains valid values for secondary operations that can be performed on the Storage Lifecycle Policy.

Column Name	Data Type	Nulls	Primary Key
id	integer	N	Y
name	varchar(255)	N	N

Foreign Tables

Primary Key Columns	Foreign Table	Foreign Key Columns
id	nb_StorageServiceInfo	secondaryOperation

Translated Values

id	Translated Value
-1	
0	Suspended
1	Active

lookup_StorageServiceUsageType

This table holds valid values for copy types used in the Storage Lifecycle Policy.

Column Name	Data Type	Nulls	Primary Key
id	integer	N	Y
name	varchar(255)	Y	N

Foreign Tables

Primary Key Columns	Foreign Table	Foreign Key Columns
id	domain_SLPIImageCopy	copyType
id	nb_StorageServiceDestInfo	usageType

Translated Values

id	Translated Value
-1	Unknown
0	Backup
1	Duplication
2	Snapshot
3	Replication
4	Import
5	Backup From Snapshot
6	Index From Snapshot
7	Replication

lookup_StorageUnitGroupSelectionMethod

Reference table for the method used for selecting Storage Unit Group like Prioritized, Round Robin, Failover, Media Server Load Balancing

Column Name	Data Type	Nulls	Primary Key
id	integer	N	Y
name	varchar(255)	Y	N

Foreign Tables

Primary Key Columns	Foreign Table	Foreign Key Columns
id	nb_StorageUnitGroup	selectionMethod

Translated Values

id	Translated Value
-1	Unknown
1	Prioritized
2	Least Recently Selected
3	Failover
4	Media Server Load Balance

lookup_StorageUnitType

Reference table stores the types of storage unit like Disk, Media Manager, NDMP

Column Name	Data Type	Nulls	Primary Key
id	integer	N	Y
name	varchar(255)	Y	N

Foreign Tables

Primary Key Columns	Foreign Table	Foreign Key Columns
id	domain_Job	storageUnitType
id	domain_JobArchive	storageUnitType
id	nb_StorageUnit	mediaType

Translated Values

id	Translated Value
-1	
0	Disk
2	Media Manager
3	NDMP

lookup_TapeLibrarySlotCountStatus

This table stores information about status of slot count of tape library.

Column Name	Data Type	Nulls	Primary Key
id	integer	N	Y
name	varchar(255)	Y	N

Foreign Tables

Primary Key Columns	Foreign Table	Foreign Key Columns
id	domain_TapeLibrary	slotCountStatus

Translated Values

id	Translated Value
0	Slot count is calculated
1	Slot count is sent by NBSL
2	Slot count is entered by user

lookup_TIRInfoType

Reference table for TIR Info types, such as No, Yes, Yes, with Move detection

Column Name	Data Type	Nulls	Primary Key
id	integer	N	Y
name	varchar(255)	Y	N

Foreign Tables

Primary Key Columns	Foreign Table	Foreign Key Columns
id	nb_Policy	collectTIRInfo

Translated Values

id	Translated Value
-1	Unknown
0	No
1	Yes
2	Yes, with Move Detection

lookup_TIRStatus

Reference table for status like In Progress, On Disk, Not On Disk, RSV Synthetic info on disk, Synthetic info on disk, Files file incomplete, Files file failed

Column Name	Data Type	Nulls	Primary Key
id	integer	N	Y
name	varchar(255)	Y	N

Translated Values

id	Translated Value
0	None
1	In Progress
2	On Disk
4	Not On Disk
8	RSV Synthetic info on disk
10	Synthetic info on disk
16	Files file incomplete
32	Files file failed

lookup_TransportType

This table contains the possible transport option available to move the backup from backup client to media server.

Column Name	Data Type	Nulls	Primary Key
id	integer	N	Y
name	varchar(255)	Y	N

Foreign Tables

Primary Key Columns	Foreign Table	Foreign Key Columns
id	domain_Job	transportType
id	domain_JobArchive	transportType
id	nb_JobAttempt	transportType
id	nb_JobAttemptArchive	transportType

Translated Values

id	Translated Value
-1	
0	LAN
1	FT

lookup_VirtualHostType

Reference table for Virtual Host Type i.e. VMWare, Hyper-V.

Column Name	Data Type	Nulls	Primary Key
id	integer	N	Y
name	varchar(255)	Y	N

Foreign Tables

Primary Key Columns	Foreign Table	Foreign Key Columns
id	nb_Policy	virtualMachineType

Translated Values

id	Translated Value
-1	Unknown
0	none
1	VMware
2	Hyper-V

managedObject_EntityAttribute

This table contains custom attributes (for entities like master, media, client, and so on) defined by user.

Column Name	Data Type	Nulls	Primary Key	Description
name	varchar(255)	N	Y	Custom attribute name.
entityType	integer	N	Y	Identifies the entity type (master, media, or client) for which the attribute is defined.
updatable	bit	N	N	Boolean that identifies whether the attribute can be updated.

Primary Tables

Foreign Key Columns	Primary Table	Primary Key Columns
entityType	lookup_EntityType	id

Foreign Tables

Primary Key Columns	Foreign Table	Foreign Key Columns
name, entityType	managedObject_EntityAttributeValue	name, entityType

managedObject_EntityAttributeValue

This table contains the values for custom attributes (for entities like master, media, client, and so on) defined by user.

Column Name	Data Type	Nulls	Primary Key	Description
name	varchar(255)	N	Y	Attribute name for which the value is defined.
entityType	integer	N	Y	The entity type (master, media, or client) for which the attribute is defined.
entityId	integer	N	Y	Unique ID generated by OpsCenter that resembles the entity.
attributeValue	long varchar	Y	N	Identifies the value defined for the custom attribute.
updatable	bit	N	N	Boolean that identifies whether the attribute value can be updated.

Primary Tables

Foreign Key Columns	Primary Table	Primary Key Columns
entityId	domain_Entity	id
name, entityType	managedObject_EntityAttribute	name, entityType

nb_BMRJobsStatusArchive

This table stores data of BMR Jobs

Column Name	Data Type	Nulls	Primary Key	Description
masterServerId	integer	N	Y	The unique identifier of master server that executed the backup job
clientName	varchar(255)	N	Y	The name of a host being backed up as seen by a backup job
jobId	numeric(42,0)	N	Y	A unique number for each backup job in a backup domain
status	integer	Y	N	The exit code of a BMR job

Primary Tables

Foreign Key Columns	Primary Table	Primary Key Columns
masterServerId, clientName, jobId	nb_JobArchive	masterServerId, clientName, id

nb_CatalogBackup

Table that stores catalog data

Column Name	Data Type	Nulls	Primary Key	Description
masterServerId	integer	N	Y	Master server on which the data was backed up
backupDate	bigint	N	Y	Date on which the data was backed up
backupMedia	varchar(255)	N	Y	Media on which the data was backed up
product	tinyint	Y	N	Product backed up

Primary Tables

Foreign Key Columns	Primary Table	Primary Key Columns
masterServerId	domain_MasterServer	id

nb_ClientOffline

This table stores offline information of NetBackup client.

Column Name	Data Type	Nulls	Primary Key	Description
masterServerId	integer	N	Y	Unique identifier of master server
clientName	varchar(255)	N	Y	Client name
offlineAt	bigint	N	Y	Time at which client became offline
isOnline	integer	N	Y	Identifies if client is online or not. 1 specifies client is online.
clientId	integer	Y	N	Unique identifier of client
deletedTime	bigint	N	N	Client deletion time
isCurrent	integer	Y	N	Identifies if client is current or not. 1 specifies client is current.
lastUpdatedTime	bigint	N	N	Last updated time of client
onlineAt	bigint	N	N	Time at which client became online

Primary Tables

Foreign Key Columns	Primary Table	Primary Key Columns
masterServerId, clientName	domain_Client	masterServerId, name

nb_DeviceUsageArchive

This table stores information related to NetBackup device usage.

Column Name	Data Type	Nulls	Primary Key	Description
id	integer	N	Y	Specifies unique identifier of the record
clientName	varchar(255)	N	N	Specifies the name of the client name associated with device
deviceIndex	integer	Y	N	Specifies the device index that was assigned during configuration
endTime	bigint	Y	N	Specifies the time when device usage ended (which is measured in 100s of nanoseconds since the beginning of the Gregorian epoch)
isValid	bit	N	N	Specifies if the device usage record is valid. 1 means valid; 0 means not valid.
jobId	numeric(42,0)	Y	N	Specifies unique number for job associated with device usage
kbytes	double	Y	N	Specifies kilobytes associated with device usage
masterServerId	integer	N	N	Specifies unique identifier for Master Server associated with device usage
name	varchar(255)	Y	N	Specifies the configured name of the device
startTime	bigint	Y	N	Specifies the time when device usage started (which is measured in 100s of nanoseconds since the beginning of the Gregorian epoch)
storageUnit	varchar(255)	Y	N	Specifies the name of the storage unit associated with device
throughput	double	Y	N	Specifies the throughput from which data is written or read from device

Primary Tables

Foreign Key Columns	Primary Table	Primary Key Columns
masterServerId	domain_MasterServer	id
masterServerId, clientName, jobId	nb_JobArchive	masterServerId, clientName, id
masterServerId, storageUnit	nb_StorageUnit	masterServerId, name

nb_DiskPool

This table stores attributes related to disk pool.

Column Name	Data Type	Nulls	Primary Key	Description
masterServerId	integer	N	Y	Unique identifier for Master Server
name	varchar(255)	N	Y	Specifies the name of the disk pool
storageServerName	varchar(255)	N	Y	Specifies the name of the storage server
serverType	varchar(255)	N	Y	Specifies the storage server type. For OpenStorage, the server type depends on the vendor name.
createdDateTime	bigint	Y	N	Specifies the date and time when the disk pool was created
flags	integer	Y	N	Specifies the disk pool flag information, like ReadOnWrite, AdminUp, InternalUp
imported	varchar(255)	Y	N	Specifies if the disk pool was imported. Imported disk pool means that this particular backup domain did not originally write the data to the disk pool.
isValid	bit	N	N	This attribute specifies if the disk pool is a valid disk pool that is accessible. A value of zero (0) indicates false that is not available and 1 indicates true that is available.
lastModifiedDateTime	bigint	Y	N	Specifies the date and time when the disk pool was last modified
type	integer	Y	N	Specifies the type of disk pool

Primary Tables

Foreign Key Columns	Primary Table	Primary Key Columns
masterServerId, name, storageServerName, serverType	domain_DiskPool	masterServerId, name, storageServerName, serverType
masterServerId	domain_MasterServer	id
type	lookup_DiskPoolType	id
masterServerId, storageServerName, serverType	nb_StorageServer	masterServerId, name, serverType

Foreign Tables

Primary Key Columns	Foreign Table	Foreign Key Columns
masterServerId, name, storageServerName, serverType	nb_DiskVolume	masterServerId, diskPoolId, storageServerName, serverType

nb_DiskVolume

Sum of the sizes of all fragments on the disk that are due for expiration

Column Name	Data Type	Nulls	Primary Key	Description
masterServerId	integer	N	Y	Unique identifier for NetBackup Master Servers
diskMediaId	varchar(255)	N	Y	Unique identifier for disk media
committedSpace	bigint	Y	N	Specifies the committed space of disk volume
createdDateTime	bigint	Y	N	The date and time when the disk volume was added to NetBackup
currentReaders	integer	Y	N	Specifies the current number of the readers
currentWriters	integer	Y	N	Specifies the current number of the writers
diskPoolId	varchar(255)	Y	N	Unique identifier for disk pool
fileSystemOrdinal	integer	Y	N	Specifies different file system ordinal
fileSystemType	integer	Y	N	Specifies different file system type
flags	integer	Y	N	Specifies the disk volume flag information, such as ReadOnWrite, AdminUp, or InternalUp
freeSpace	bigint	Y	N	Specifies the estimated amount of disk space available for storage after file metadata overhead is taken into account.
isValid	bit	N	N	Specifies if the disk volume is a valid, which is accessible. Value 0 (zero) indicates false that means the disk volume is not available and 1 indicates true that means the disk volume is available.
lastModifiedDateTime	bigint	Y	N	Specifies the date and time when the disk volume was last modified.
maxReaders	integer	Y	N	Specifies the maximum number of readers
maxReferenceReaders	integer	Y	N	Specifies the maximum number of reference readers
maxReferenceWriters	integer	Y	N	Specifies the maximum number of reference writers
maxWriters	integer	Y	N	Specifies the maximum number of writers
name	varchar(255)	Y	N	Specifies the name of the disk volume
potentialFreeSpace	bigint	Y	N	Specifies the potential free space of disk volume
preCommittedSpace	bigint	Y	N	Specifies the pre-committed space of disk volume
serverType	varchar(255)	Y	N	Specifies the storage server type. For Open Storage, the server type depends on the vendor name.
state	integer	Y	N	Displays the disk volume status: Up or Down
storageServerName	varchar(255)	Y	N	Specifies the name of the storage server
totalCapacity	bigint	Y	N	Specifies the total capacity of the disk volume
used	bigint	Y	N	Specifies the amount of the storage space in use

Primary Tables

Foreign Key Columns	Primary Table	Primary Key Columns
state	lookup_DiskVolumeStatus	id
masterServerId, diskPoolId, storageServerName, serverType	nb_DiskPool	masterServerId, name, storageServerName, serverType

Foreign Tables

Primary Key Columns	Foreign Table	Foreign Key Columns
masterServerId, diskMediaId	domain_ImageFragment	masterServerId, diskMediaId
masterServerId, diskMediaId	nb_DiskVolumeHistory	masterServerId, diskMediaId

nb_DiskVolumeHistory

This table stores the attributes for disk volume historical data.

Column Name	Data Type	Nulls	Primary Key	Description
uniqueId	integer	N	Y	Unique identifier for disk volume
diskMediaId	varchar(255)	N	N	Unique identifier for disk media
diskPoolId	varchar(255)	N	N	Unique identifier for disk pool
freeSpace	bigint	Y	N	Specifies the estimated amount of disk space available for storage after the file metadata overhead is taken into account.
masterServerId	integer	N	N	Unique identifier for NetBackup Master Servers
name	varchar(255)	N	N	Specifies the name of the disk volume
serverType	varchar(255)	N	N	Specifies the storage server type. For Open Storage, the server type depends on the vendor name.
snapshotTime	bigint	N	N	This attribute specifies the date and time when all disk volume information was collected from the backup application into OpsCenter. History is retained so that the state of all disk volume can be determined.
state	integer	Y	N	Displays the status of the disk volume: Up or Down
totalCapacity	bigint	Y	N	Specifies the total capacity of the disk volume
used	bigint	Y	N	Specifies the amount of storage space in use

Primary Tables

Foreign Key Columns	Primary Table	Primary Key Columns
masterServerId, diskMediaId	nb_DiskVolume	masterServerId, diskMediaId

nb_FatClient

This table stores information about the SAN clients in the configuration. SAN clients communicate with NetBackup media servers using Fibre Transport (FT) connection.

Column Name	Data Type	Nulls	Primary Key	Description
masterServerId	integer	N	Y	Unique identifier for the NetBackup Master Servers in OpsCenter
name	varchar(255)	N	Y	Specifies the name of the SAN client host
backupWaitPeriod	integer	Y	N	The number of minutes for which an FT Media Server waits for a backup operation
createdDateTime	bigint	Y	N	The date and time when this entity was created in OpsCenter
lastModifiedDateTime	bigint	Y	N	The date and time when this entity was last modified in OpsCenter
noOfFatMediaServers	integer	Y	N	Specifies the number of NetBackup Media Servers that support FT transport and that the client can send data to and receive data from.
restoreWaitPeriod	integer	Y	N	Specifies the number of minutes for which an FT Media Server waits for a restore operation
state	integer	Y	N	Specifies the state of the FT client service: Online, Offline, Disabled, or Discovery in progress
usagePreference	varchar(255)	Y	N	Specifies when to use the FT media server: Preferred, Always, or Never
version	varchar(255)	Y	N	Specifies the version of NetBackup software that is installed on the SAN client

Primary Tables

Foreign Key Columns	Primary Table	Primary Key Columns
masterServerId	domain_MasterServer	id
state	lookup_FatServiceState	id

Foreign Tables

Primary Key Columns	Foreign Table	Foreign Key Columns
masterServerId, name	nb_FatInitiatorDevice	masterServerId, fatClientName
masterServerId, name	nb_FatPipe	masterServerId, fatClientName

nb_FatInitiatorDevice

This table stores information about the FT devices in initiator mode

Column Name	Data Type	Nulls	Primary Key	Description
masterServerId	integer	N	Y	Unique identifier for the Netbackup Master Servers in OpsCenter
fatClientName	varchar(255)	N	Y	Specifies the name of the SAN client associated with this FT target device
hba_Port	integer	N	Y	The Host Bus Adapter (HBA) port of the FT Media Server that accepts connections from SAN clients
inquiry	varchar(255)	N	Y	The device information returned by the device, which uniquely identifies it
name	varchar(255)	N	Y	The name of the FT Media Server
createdDateTime	bigint	Y	N	The date and time when this entity was created in OpsCenter
fatTargetDeviceId	integer	Y	N	The unique identifier for the FT target device in OpsCenter
lastModifiedDateTime	bigint	Y	N	The date and time when this entity was last modified in OpsCenter
lun	integer	Y	N	Specifies the logical unit number of the FT Media Server
state	integer	Y	N	Specifies the state of the FT device from the client: online or offline

Primary Tables

Foreign Key Columns	Primary Table	Primary Key Columns
masterServerId, fatClientName	nb_FatClient	masterServerId, name
masterServerId, name, inquiry	nb_FatTargetDevice	masterServerId, fatServerName, inquiry

nb_FatPipe

This table stores information about the FT pipe. An FT pipe is a logical connecton that carries data between FT media server and a SAN Client.

Column Name	Data Type	Nulls	Primary Key	Description
masterServerId	integer	N	Y	Unique identifier for the Netbackup Master Servers in OpsCenter
id	integer	N	Y	Unique identifier of the FT pipes in OpsCenter
createdDateTime	bigint	Y	N	The date and time when this entity was created in OpsCenter
deviceName	varchar(255)	Y	N	Specifies the FT target devie name
direction	integer	Y	N	Specifies the direction of the data flow
fatClientName	varchar(255)	Y	N	Specifies the SAN client name
fatInitiatorDevicePort	integer	Y	N	Specifies the HBA port of the FT initiator device
fatServerName	varchar(255)	Y	N	Specifies the name of the FT Media Server
fatTargetDeviceInquiry	varchar(255)	Y	N	Specifies the inquiry information of the FT target device
groupId	varchar(255)	Y	N	Specifies the group ID of the FT pipe
jobId	varchar(255)	Y	N	Unique identifier for backup jobs that appear in the Activity Monitor in NetBackup
lastModifiedDateTime	bigint	Y	N	The date and time when this entity was last modified in OpsCenter
state	integer	Y	N	Spcifies the state of the FT pipe

Primary Tables

Foreign Key Columns	Primary Table	Primary Key Columns
masterServerId, fatClientName	nb_FatClient	masterServerId, name
masterServerId, fatServerName	nb_FatServer	masterServerId, name

nb_FatServer

This table stores information about the FT Media Servers. FT Media Servers are NetBackup media servers on which FT services are activated. FT Media Servers accept connections from SAN clients and send the data to disk storage.

Column Name	Data Type	Nulls	Primary Key	Description
masterServerId	integer	N	Y	Unique identifier for NetBackup Master Servers in OpsCenter
name	varchar(255)	N	Y	Specifies the name of the FT Media Server
createdDateTime	bigint	Y	N	The date and time when this entity was created in OpsCenter
isValid	bit	N	N	Identifies whether FT server is valid or not. 1 signifies valid.
lastModifiedDateTime	bigint	Y	N	The date and time when this entity was last modified in OpsCenter
maxLunLimit	integer	Y	N	The maximum number of logical units of the FT Media Server
maxPipeLimit	integer	Y	N	The maximum number of FT pipes allowed by this FT Media Server
numberOfConnections	integer	Y	N	Specifies the number of FT connections that are allowed to this media server
pipeLimit	integer	Y	N	The number of pipes configured on this FT Media Server
state	integer	Y	N	Specifies the state of the FT services on the media server: Online, Offline, Disabled or Discovery in Progress
version	varchar(255)	Y	N	Specifies the NetBackup software version that is installed on the FT Media Server

Primary Tables

Foreign Key Columns	Primary Table	Primary Key Columns
masterServerId	domain_MasterServer	id
state	lookup_FatServiceState	id

Foreign Tables

Primary Key Columns	Foreign Table	Foreign Key Columns
masterServerId, name	nb_FatPipe	masterServerId, fatServerName
masterServerId, name	nb_FatTargetDevice	masterServerId, fatServerName

nb_FatTargetDevice

This table stores information about the FT target device. An FT device is the target mode driver on the NetBackup FT Media Server.

Column Name	Data Type	Nulls	Primary Key	Description
masterServerId	integer	N	Y	Unique identifier for Master Server in OpsCenter
fatServerName	varchar(255)	N	Y	Specifies the name of the FT Media Server to which the FT target device is connected
inquiry	varchar(255)	N	Y	The device information returned by the device which uniquely identifies it
createdDateTime	bigint	Y	N	The date and time when this entity was created in OpsCenter
fatClientName	varchar(255)	Y	N	The name of the SAN client
fatInitiatorDeviceId	integer	Y	N	The unique identifier of the the FT initiator device
hba_Port_Client	integer	Y	N	The Host Bus Adapter(HBA) port of the SAN client
isValid	bit	N	N	Identifies that FT target device is valid or not. 1 signifies valid.
lastModifiedDateTime	bigint	Y	N	The date and time when this entity was last modified in OpsCenter.
lun	integer	Y	N	Specifies the logical unit number of the FT media server.
mediaServerName	varchar(255)	Y	N	The name of the NetBackup FT Media Server.
nba_Port	integer	Y	N	The Host Bus Adapter(HBA) port of the FT Media Server that accepts connections from SAN clients.
state	integer	Y	N	Specifies the state of the FT device from the client: online or offline

Primary Tables

Foreign Key Columns	Primary Table	Primary Key Columns
masterServerId, fatServerName	nb_FatServer	masterServerId, name

Foreign Tables

Primary Key Columns	Foreign Table	Foreign Key Columns
masterServerId, fatServerName, inquiry	nb_FatInitiatorDevice	masterServerId, name, inquiry

nb_Job

This table stores the last 30-days information of jobs.

Column Name	Data Type	Nulls	Primary Key	Description
masterServerId	integer	N	Y	OpsCenter-generated unique identifier for master servers
clientName	varchar(255)	N	Y	Name of the host that is being backed up by the job.
id	numeric(42,0)	N	Y	Job ID; unique identifier for jobs created the by master server
actualJobType	integer	Y	N	Job type, such as Backup, Duplicate and so on. Refer to lookup_JobType, for details.
compression	integer	Y	N	A flag that shows if the job compressed the data on client.
dataMovement	integer	Y	N	Specifies the data movement type like Standard, Synthetic and so on. Refer to lookup_DataMoverType, for details.
dedupRatio	double	Y	N	For de-duplication jobs, this specifies the percentage of data that was stored already.
group	varchar(255)	Y	N	User group of the user for which the job processes ran
offHostType	integer	Y	N	Integer value for offhost snaphost backup type; 0=STANDARD, 1=ATLCLIENT, 2=3PC, 3=MEDIASERVER, 4=NAS, 5=NDMP
owner	varchar(255)	Y	N	Name of the user for which the job processes ran
percentComplete	integer	Y	N	Specifies the estimated percentage of the job that is complete
priority	integer	Y	N	Job's priority as it competes with other jobs for backup resources. Range: 0 to 99999. Higher number means higher priority.
retentionLevel	integer	Y	N	Retention level of the job. Refer to nb_RetentionLevel, for the associated retention period.

Primary Tables

Foreign Key Columns	Primary Table	Primary Key Columns
masterServerId, clientName, id	domain_Job	masterServerId, clientName, id
compression	lookup_CompressionType	id
dataMovement	lookup_DataMoverType	id
offHostType	lookup_OffHostType	id
masterServerId, retentionLevel	nb_RetentionLevel	masterServerId, id

Foreign Tables

Primary Key Columns	Foreign Table	Foreign Key Columns
masterServerId, clientName, id	nb_JobAttempt	masterserverId, clientName, jobId
masterServerId, clientName, id	nb_JobBackupAttributes	masterserverId, clientName, jobId
masterServerId, clientName, id	nb_JobProcessAttribute	masterserverId, clientName, jobId

nb_JobArchive

This table stores information related to NetBackup jobs.

Column Name	Data Type	Nulls	Primary Key	Description
masterServerId	integer	N	Y	OpsCenter-generated unique identifier for master servers
clientName	varchar(255)	N	Y	Name of the client that is backed up by the job
id	numeric(42,0)	N	Y	Job ID; a unique identifier for jobs created by the master server
actualJobType	integer	Y	N	Job type, such as Backup, Duplicate and so on. Refer to lookup_JobType, for details.
compression	integer	Y	N	A flag that shows if the job compressed the data on client
dataMovement	integer	Y	N	Specifies the data movement type such as Standard, Synthetic and so on. Refer to lookup_DataMoverType, for details.
dedupRatio	double	Y	N	For de-duplication jobs, specifies the percentage of data that was stored already
group	varchar(255)	Y	N	User group of the user for which the job processes ran
offHostType	integer	Y	N	Integer value for offhost snaphost backup type; 0=STANDARD, 1=ATLCLIENT, 2=3PC, 3=MEDIASERVER, 4=NAS, 5=NDMP
owner	varchar(255)	Y	N	Name of the user for which the job processes ran
percentComplete	integer	Y	N	Specifies the estimated percentage of the job that is complete
priority	integer	Y	N	Job's priority as it competes with other jobs for backup resources. Range: 0 to 99999. Higher number means higher priority.
retentionLevel	integer	Y	N	Retention level of the job. Refer to nb_RetentionLevel, for the associated retention period.

Primary Tables

Foreign Key Columns	Primary Table	Primary Key Columns
masterServerId, clientName, id	domain_JobArchive	masterServerId, clientName, id
dataMovement	lookup_DataMoverType	id
offHostType	lookup_OffHostType	id
masterServerId, retentionLevel	nb_RetentionLevel	masterServerId, id

Foreign Tables

Primary Key Columns	Foreign Table	Foreign Key Columns
masterServerId, clientName, id	nb_BMRJobsStatusArchive	masterServerId, clientName, jobId
masterServerId, clientName, id	nb_DeviceUsageArchive	masterServerId, clientName, jobId
masterServerId, clientName, id	nb_JobAttemptArchive	masterserverId, clientName, jobId
masterServerId, clientName, id	nb_JobBackupAttributesArchive	masterserverId, clientName, jobId
masterServerId, clientName, id	nb_JobProcessAttributeArchive	masterserverId, clientName, jobId

nb_JobAttempt

This table stores the last 30-days information of job attempts

Column Name	Data Type	Nulls	Primary Key	Description
masterserverId	integer	N	Y	OpsCenter-generated unique identifier for master servers
clientName	varchar(255)	N	Y	Name of the host that is being backed up by the job
jobId	numeric(42,0)	N	Y	Job ID; unique identifier for jobs that are created by the master server
id	integer	N	Y	Attempt number, such as 1, 2, 3
activeStartTime	bigint	Y	N	Start time of the job attempt of active jobs
bytesWritten	bigint	Y	N	Number of bytes written to the storage
completionTime	bigint	Y	N	Timestamp when the job attempt is complete
currentFile	long varchar	Y	N	Name of the file that is being backed up; for completed jobs this is the last file that was backedup
destMediaId	varchar(255)	Y	N	NetBackup-generated unique identifier of the media where the data is written
destMediaServerId	integer	Y	N	OpsCenter-generated unique identifier of the media server where the data is written
destMediaServerName	varchar(255)	Y	N	Name of the media server where the data is written
destStorageUnit	varchar(255)	Y	N	Name of the storage unit where the data is written
filesBackedUp	bigint	Y	N	The number of files that are backed up during a backup job
mainPID	integer	Y	N	Process ID of parent bpbrm process managing the child jobs
operation	integer	Y	N	Job operation that is being carried out, such as Mounting a tape, Writing to tape. Refer to lookup_JobOperationType, for details.
percentComplete	integer	Y	N	Estimated completion percentage of a job attempt
PID	integer	Y	N	Process ID of bpbrm process that manages the job
RqstPid	integer	Y	N	PID requesting job
secondaryId	numeric(42,0)	Y	N	When a Job ID is not enough to distinguish a job, a secondary ID may be used. For NetBackup, this field is the job Process ID.
srcMediaId	varchar(255)	Y	N	NetBackup-generated unique identifier of the media from where the data is read
srcMediaServerId	integer	Y	N	OpsCenter-generated unique identifier of the media server from where data is read
srcMediaServerName	varchar(255)	Y	N	Name of the media server from where the data is read
srcStorageUnit	varchar(255)	Y	N	Name of the Storage Unit from where the data is read
startTime	bigint	Y	N	Start time of the job attempt
statusCode	bigint	Y	N	The exit code for a particular backup job attempt
throughput	integer	Y	N	Number of kilobytes of data backed up per second
transportType	integer	Y	N	Network type used to move data from the client to media server, such as LAN, Fiber

Primary Tables

Foreign Key Columns	Primary Table	Primary Key Columns
masterserverId, srcMediaServerName	domain_MediaServer	masterServerId, name
masterserverId, destMediaServerName	domain_MediaServer	masterServerId, name
operation	lookup_JobOperationType	id
statusCode	lookup_JobStatusCode	id
transportType	lookup_TransportType	id
masterserverId, clientName, jobId	nb_Job	masterServerId, clientName, id
masterserverId, srcStorageUnit	nb_StorageUnit	masterServerId, name
masterserverId, destStorageUnit	nb_StorageUnit	masterServerId, name

Foreign Tables

Primary Key Columns	Foreign Table	Foreign Key Columns
masterserverId, clientName, jobId, id	nb_JobAttemptLog	masterserverId, clientName, jobId, attemptId

nb_JobAttemptArchive

This table stores information related to job attempts.

Column Name	Data Type	Nulls	Primary Key	Description
masterserverId	integer	N	Y	OpsCenter-generated unique identifier for master servers
clientName	varchar(255)	N	Y	Name of the host being backed up by the job
jobId	numeric(42,0)	N	Y	Job ID; unique identifier for a job created by the master server
id	integer	N	Y	Job attempt, such as 1, 2, 3
activeStartTime	bigint	Y	N	Start time of the job attempt of an active job
bytesWritten	bigint	Y	N	Number of bytes written to the storage
completionTime	bigint	Y	N	Timestamp when the job attempt is complete
currentFile	long varchar	Y	N	Name of the file that is being backed up; for completed jobs this is the last file that was backed up
destMediaId	varchar(255)	Y	N	NBU-generated unique identifier of the media where the data is written
destMediaServerId	integer	Y	N	OpsCenter-generated unique identifier of the media server where the data is written
destMediaServerName	varchar(255)	Y	N	Name of the media server where the data is written
destStorageUnit	varchar(255)	Y	N	Name of the storage unit where the data is written
filesBackedUp	bigint	Y	N	The number of files that are backed up during a backup job
mainPID	integer	Y	N	Process ID of parent bpbrm process managing the child jobs
operation	integer	Y	N	Job operation that is being carried out, such as Mounting a tape, Writing to a tape and so on. Refer to lookup_JobOperationType, for details.
percentComplete	integer	Y	N	Estimated completion percentage of a job attempt
PID	integer	Y	N	Process ID of bpbrm process managing the job
RqstPid	integer	Y	N	PID requesting job
secondaryId	numeric(42,0)	Y	N	When a Job ID is not enough to distinguish a job, a secondary ID may be used. For NetBackup, this field is the job Process ID.
srcMediaId	varchar(255)	Y	N	NBU-generated unique identifier of the media from where the data is read
srcMediaServerId	integer	Y	N	OpsCenter generated unique identifier of the media server from where data is read
srcMediaServerName	varchar(255)	Y	N	Name of the media server from where the data is read
srcStorageUnit	varchar(255)	Y	N	Name of the Storage Unit from where the data is read
startTime	bigint	Y	N	Start time of the job attempt
statusCode	bigint	Y	N	The exit code for a particular backup job attempt
throughput	integer	Y	N	Number of kilobytes of data that is backed up per second
transportType	integer	Y	N	Network type used to move data from a client to media server, such as LAN, Fiber

Primary Tables

Foreign Key Columns	Primary Table	Primary Key Columns
masterserverId, destMediaServerName	domain_MediaServer	masterServerId, name
masterserverId, srcMediaServerName	domain_MediaServer	masterServerId, name
operation	lookup_JobOperationType	id
statusCode	lookup_JobStatusCode	id
transportType	lookup_TransportType	id
masterserverId, clientName, jobId	nb_JobArchive	masterServerId, clientName, id
masterserverId, destStorageUnit	nb_StorageUnit	masterServerId, name
masterserverId, srcStorageUnit	nb_StorageUnit	masterServerId, name

nb_JobAttemptLog

This table stores the 30-days information of the job attempt log.

Column Name	Data Type	Nulls	Primary Key	Description
masterserverId	integer	N	Y	OpsCenter-generated unique identifier for master servers
clientName	varchar(255)	N	Y	Name of the host that is being backed up by the job
jobId	numeric(42,0)	N	Y	Job ID; a unique identifier for jobs created by the master server
attemptId	integer	N	Y	Attempt number like 1, 2, 3 and so on
logs	long varchar	Y	N	Contains log information

Primary Tables

Foreign Key Columns	Primary Table	Primary Key Columns
masterserverId, clientName, jobId, attemptId	nb_JobAttempt	masterserverId, clientName, jobId, id

nb_JobBackupAttributes

This table holds data of additional job attributes for 30 days.

Column Name	Data Type	Nulls	Primary Key	Description
masterserverId	integer	N	Y	OpsCenter-generated ID of NBU Master Server
clientName	varchar(255)	N	Y	Name of the client backed up by the job
jobId	numeric(42,0)	N	Y	Unique identifier for a job created by the master server
activeStartTime	bigint	Y	N	Time when the job is changed to active from queued
backupID	varchar(255)	Y	N	The image ID (clientname_timestamp) created by the job
commands	varbinary(255)	Y	N	List of job commands like CANCEL, SUSPEND, RESUME, RESTART, DELETE and so on, which can be performed on this job. Data is in the binary form.
controllingHost	varchar(255)	Y	N	Host that has this job process running
controllingHostMediaServerId	integer	Y	N	OpsCenter-generated ID of the media server that controls the robot
destMediaId	varchar(255)	Y	N	NBU-generated Media ID of the media on which the job is being written
destStorageUnit	varchar(255)	Y	N	Storage unit name on which the job is being written
frozenImage	integer	Y	N	Binary flag to show if its a shapshot job or not
imageID	varchar(255)	Y	N	Same as backup ID
jobDefinitionName	varchar(255)	Y	N	Name of the policy that created this job
numTapesToEject	integer	Y	N	Number of tapes to be ejected from a Robot into a vault, based on a Profile
profileName	varchar(255)	Y	N	Name of the profile, from the Robot-Vault-Profile combination. This is like a policy for a vault job.
queuedReason	integer	Y	N	Reason behind why the job is queued/waiting for resource, refer to the lookup_QueuedReason table for details
queuedReasonResource	varchar(255)	Y	N	Name of the resource on which the job is waiting
robotName	varchar(255)	Y	N	Name of the robot, from the Robot-Vault-Profile combination
sessionID	integer	Y	N	Vault session ID, this is like a job ID for vault jobs
srcMediaId	varchar(255)	Y	N	Media ID from which the job is reading the image (for duplication)
srcStorageUnit	varchar(255)	Y	N	Storage unit name from which the the job is reading the image
tapeCopyNumber	integer	Y	N	Copy number of image, used for inline tape copy
vaultName	varchar(255)	Y	N	Name of a vault, from the Robot-Vault-Profile combination

Primary Tables

Foreign Key Columns	Primary Table	Primary Key Columns
queuedReason	lookup_QueuedReason	id
masterserverId, clientName, jobId	nb_Job	masterServerId, clientName, id
masterserverId, srcStorageUnit	nb_StorageUnit	masterServerId, name

Foreign Key Columns	Primary Table	Primary Key Columns
masterserverId, destStorageUnit	nb_StorageUnit	masterServerId, name

nb_JobBackupAttributesArchive

This table stores data of additional job attributes

Column Name	Data Type	Nulls	Primary Key	Description
masterserverId	integer	N	Y	OpsCenter-generated ID of NBU Master Server
clientName	varchar(255)	N	Y	Name of the client backed up by the job
jobId	numeric(42,0)	N	Y	Unique identifier for a job created by master server
activeStartTime	bigint	Y	N	Time when the job is changed to active from queued
backupID	varchar(255)	Y	N	The image ID (clientname_timestamp) created by the job
commands	varbinary(255)	Y	N	List of Job Commands like CANCEL, SUSPEND, RESUME, RESTART, DELETE and so on that can be performed on this job. Data is in the binary form.
controllingHost	varchar(255)	Y	N	Host that has this job process running
controllingHostMediaServerId	integer	Y	N	OpsCenter-generated ID of the media server that controls the robot
destMediaId	varchar(255)	Y	N	NBU-generated Media ID of the media on which the job is being written
destStorageUnit	varchar(255)	Y	N	Storage unit name on which the job is being written
destStorageUnitId	integer	Y	N	Storage unit ID on which the job is being written
frozenImage	integer	Y	N	Binary flag to show if it is a shapshot job or not
imageID	varchar(255)	Y	N	Same as backup ID
jobDefinitionName	varchar(255)	Y	N	Name of the policy, which created this job
numTapesToEject	integer	Y	N	Number of tapes to be ejected from a robot into a vault, based on profile
profileName	varchar(255)	Y	N	Name of profile from the Robot-Vault-Profile combination. This is like a policy for a vault job
queuedReason	integer	Y	N	Reason behind why the job is queued or waiting for resource; refer to the lookup_QueuedReason table for details
queuedReasonResource	varchar(255)	Y	N	Name of the resource for which the job is waiting
robotName	varchar(255)	Y	N	Name of robot, from the Robot-Vault-Profile combination
sessionID	integer	Y	N	Vault session ID, this is like a job ID for vault jobs
srcMediaId	varchar(255)	Y	N	Media ID from which the job is reading the image (for duplication)
srcStorageUnit	varchar(255)	Y	N	Storage unit name from which the job is reading the image
srcStorageUnitId	integer	Y	N	Storage unit ID from which the job is reading the image
tapeCopyNumber	integer	Y	N	Copy number of image that is used for inline tape copy
vaultName	varchar(255)	Y	N	Name of a vault, from the Robot-Vault-Profile combination

Primary Tables

Foreign Key Columns	Primary Table	Primary Key Columns
queuedReason	lookup_QueuedReason	id
masterserverId, clientName, jobId	nb_JobArchive	masterServerId, clientName, id

Foreign Key Columns	Primary Table	Primary Key Columns
masterserverId, destStorageUnit	nb_StorageUnit	masterServerId, name
masterserverId, srcStorageUnit	nb_StorageUnit	masterServerId, name

nb_JobDbInstanceArchive

This table stores database instance details for database jobs for 30 days

Column Name	Data Type	Nulls	Primary Key	Description
masterserverId	integer	N	Y	OpsCenter-generated unique identifier for a master server
clientName	varchar(255)	N	Y	Name of the host being backed up by the job
jobId	numeric(42,0)	N	Y	Job Id; unique identifier for a job created by the master server
dbName	long varchar	N	Y	database file name
dbInstanceName	long varchar	N	Y	database instance (server) name

Primary Tables

Foreign Key Columns	Primary Table	Primary Key Columns
masterserverId, clientName, jobId	domain_JobArchive	masterServerId, clientName, id

nb_JobFiles

This table stores information about files backed up for 30 days

Column Name	Data Type	Nulls	Primary Key	Description
masterserverId	integer	N	Y	OpsCenter-generated unique identifier for a master server
clientName	varchar(255)	N	Y	Name of the that is host being backed up
jobId	numeric(42,0)	N	Y	Job ID; unique identifier for a job created by master server
fileInfo	long varchar	N	Y	Name of the file or directory or directive (as specified in Polycys filelist) that is being backed up. For import jobs, this is imageid.
clientId	integer	Y	N	OpsCenter-generated unique identifier of the host that is being backed up
fileCount	bigint	Y	N	Count of the files under directory or directive name
fileSystemId	integer	Y	N	OpsCenter-generated unique identifier of file system; used for file system view
size	bigint	Y	N	Size of the file or directory

Primary Tables

Foreign Key Columns	Primary Table	Primary Key Columns
masterserverId, clientName, jobId	domain_Job	masterServerId, clientName, id

nb_JobFilesArchive

This table stores information about files backed up for 30 days

Column Name	Data Type	Nulls	Primary Key	Description
masterserverId	integer	N	Y	OpsCenter-generated unique identifier for a master server
clientName	varchar(255)	N	Y	Name of the host that is being backed up
jobId	numeric(42,0)	N	Y	Job ID, unique identifier for a job created by master server
fileInfo	long varchar	N	Y	Name of the file or directory or directive (as specified in Polycys file list) that is being backed up. For import jobs, this is imageid.
clientId	integer	Y	N	OpsCenter-generated unique identifier of the host that is being backed up
fileCount	bigint	Y	N	Count of the files under directory or directive name
fileSystemId	integer	Y	N	OpsCenter-generated unique identifier of file system; used for file system view
size	bigint	Y	N	Size of the file or directory

Primary Tables

Foreign Key Columns	Primary Table	Primary Key Columns
masterserverId, clientName, jobId	domain_JobArchive	masterServerId, clientName, id

nb_JobProcessAttribute

This table stores additional job attributes related to job process for 30 days.

Column Name	Data Type	Nulls	Primary Key	Description
masterserverId	integer	N	Y	OpsCenter-generated unique identifier for a master server
clientName	varchar(255)	N	Y	Name of the host being backed up by the job
jobId	numeric(42,0)	N	Y	Job Id; a unique identifier for a job created by the master server
currentFile	long varchar	Y	N	Name of the file being backed up; for completed jobs this is the last file that was backed up
estFiles	integer	Y	N	Number of files that are estimated for backup
estKilobytes	integer	Y	N	Kilobytes of data that is estimated for backup
isKillable	bit	N	N	Binary flag that shows if a job can be terminated
isResumable	bit	N	N	Binary flag that shows if a job can be resumed
isSuspendable	bit	N	N	Binary flag that shows if a job can be suspended
operation	integer	Y	N	Job operation being carried out like Mounting a tape, Writing to tape and so on. Refer to lookup_JobOperationType for details.
percentComplete	integer	Y	N	Estimated completion percentage of a job attempt
PID	integer	Y	N	Process ID of the bpbm process that manages the job

Primary Tables

Foreign Key Columns	Primary Table	Primary Key Columns
operation	lookup_JobOperationType	id
masterserverId, clientName, jobId	nb_Job	masterServerId, clientName, id

nb_JobProcessAttributeArchive

This table stores additional job attributes related to job process.

Column Name	Data Type	Nulls	Primary Key	Description
masterserverId	integer	N	Y	OpsCenter-generated unique identifier for master server
clientName	varchar(255)	N	Y	Name of the host being backed up by the job
jobId	numeric(42,0)	N	Y	Job ID; a unique identifier for a job that is created by the master server
currentFile	long varchar	Y	N	Name of the file being backed up; for completed jobs this is the last file that was backed up
estFiles	integer	Y	N	Number of files estimated for backup
estKilobytes	integer	Y	N	Kilobytes of data estimated for backup
isKillable	bit	N	N	Binary flag that shows if a job can be terminated
isResumable	bit	N	N	Binary flag that shows if a job can be resumed
isSuspendable	bit	N	N	Binary flag that shows if a job can be suspended
operation	integer	Y	N	Job operation being carried out like Mounting a tape, Writing to tape and so on. Refer to lookup_JobOperationType for details.
percentComplete	integer	Y	N	Estimated completion percentage of a job attempt
PID	integer	Y	N	Process ID of the bpbm process that manages the job

Primary Tables

Foreign Key Columns	Primary Table	Primary Key Columns
operation	lookup_JobOperationType	id
masterserverId, clientName, jobId	nb_JobArchive	masterServerId, clientName, id

nb_Media

This table stores attributes related to media.

Column Name	Data Type	Nulls	Primary Key	Description
masterServerId	integer	N	Y	This attribute represents a unique identifier for Master Server in OpsCenter.
id	long varchar	N	Y	This attribute represents a unique identifier for media.
cleaningCount	integer	Y	N	This attribute specifies as to how many times more the cleaning media can be used.
description	long varchar	Y	N	This attribute represents the media description for the volume.
isValid	bit	N	N	This attribute identifies that media is valid or not. A value of 1 (true) specifies media is valid and 0 (false) means media is not valid.
maxMounts	integer	Y	N	This attribute specifies maximum number of mounts that are allowed for this volume. Zero (default value) is the same as unlimited.
nMounts	integer	Y	N	This attribute represents number of times this volume is mounted.
offSiteLocation	varchar(255)	Y	N	This attribute specifies the offsite location to which the volume or the tape is moved. Off site storage protects against disasters that may occur at the primary site.
offSiteSessionId	bigint	Y	N	This attribute specifies the ID of a vault session.
offSiteSlot	integer	Y	N	This attribute represents the slot number for a offsite media.
originHost	varchar(255)	Y	N	This attribute indicates the origin host name in the EMM media record. It indicates from which volume database host this EMM media record originated.
reservedOff1	integer	Y	N	This attribute specifies the reserved byte offset for future use.
reservedOff2	integer	Y	N	This attribute specifies the reserved byte offset for future use.
robotHostName	varchar(255)	Y	N	This attribute represents the name of the host that controls the robot, where the volume is located.
sideFace	varchar(255)	Y	N	This attribute represents the side face of a volume of a media.
unixDateCreated	bigint	Y	N	This attribute specifies the date and time when this media was created.
unixDateFirstMount	bigint	Y	N	This attribute represents the date and time the media was first mounted, representing a unix timestamp.
unixDateLastMount	bigint	Y	N	This attribute represents the date and time the media was last mounted, representing a unix timestamp.
unixDateOffSiteReturn	bigint	Y	N	This attribute represents the date and time the media was returned from offsite, representing a unix timestamp.
unixDateOffSiteSent	bigint	Y	N	This attribute represents the date and time the media was sent to offsite storage representing a unix timestamp.
upgradeConflicts	bigint	Y	N	This attribute specifies if the media has had a conflict during the upgrade and is marked so in the EMM.
vaultContainerId	varchar(255)	Y	N	This attribute represents a vaultContainerId for the vault container that stores the volumes, a string of upto 29 alphanumeric characters.

Column Name	Data Type	Nulls	Primary Key	Description
version	integer	Y	N	This attribute specifies a version where version 1 denotes a DB backup Image and 2 denotes a regular backup image.
vol1	varchar(255)	Y	N	This attribute specifies a header, which contains vendor-specific metadata added by NetBackup that writes to a tape.
volumeldPartner	varchar(255)	Y	N	This attribute specifies the ID of the opposite side of an optical platter. If on side A of a platter, this shows side B.

Primary Tables

Foreign Key Columns	Primary Table	Primary Key Columns
masterServerId	domain_MasterServer	id
masterServerId, id	domain_Media	masterServerId, id

nb_Policy

This table stores information about various policy attributes.

Column Name	Data Type	Nulls	Primary Key	Description
masterServerId	integer	N	Y	This attribute represents ID of master server entity object from domain_Entity table.
name	varchar(255)	N	Y	This attribute represents name of the policy.
policyDomainName	varchar(255)	N	Y	Applicable for TSM backups, used for managing a set of TSM client nodes. It can contain multiple Policy sets managing a subset of the TSM client nodes
versionNo	integer	N	Y	This attribute indicates how many times policy has been modified and maximum versionno indicates latest policy.
altClientName	long varchar	Y	N	This attribute represents the name of the alternate client, which handles the backup processing and saves resources on the primary client.
appProtection	bigint	N	N	This attribute indicates whether VM policy is application aware.
backupCopy	integer	Y	N	This attribute indicates copy number.
backupNetworkDrives	bit	N	N	This attribute contains information about use on single user systems, Windows 95, Windows 98, and ME.
blockIncrement	bit	N	N	This attribute indicates whether NetBackup offers instant recovery of files from block-level increment backups.
checkPointInterval	integer	Y	N	This attribute indicates how often NetBackup takes a checkpoint during a backup.
checkPt	bit	N	N	This attribute indicates whether to take checkpoint or not.
classId	long varchar	Y	N	This attribute contains GUID of data classification type.
clientCompress	bit	N	N	This attribute indicates whether compression is enabled or not.
clientEncrypt	integer	Y	N	This attribute contains information about encryption type.
collectBMRInfo	bit	N	N	This attribute specifies whether the BMR client agent runs on each client.
collectTIRInfo	integer	Y	N	This attribute indicates type of True Image Restore that is Yes, No or Yes with Move Detection.
crossMountPoints	bit	N	N	This attribute controls whether NetBackup crosses file system boundaries to back up or archive all files and directories in the selected path.
dataMoverType	integer	Y	N	This attribute indicates type of data mover to be used in case of off-host backup.
disasterRecovery	bit	N	N	This attribute specifies whether the BMR client agent runs on each client.
enableMetalIndexing	integer	Y	N	This attribute indicates whether indexing of the data that is backed up by the policy, is enabled or not.(DEPRECATED since OpsCenter 7.7)
failOnError	integer	Y	N	This attribute indicates whether backup job should fail or retry on error.
fileList	long varchar	Y	N	This attribute contains information about the paths, directives, scripts, and the templates that specify which files and directories are backed up on each client.
fileListCount	integer	Y	N	This attribute represents the number of files to backup.
followNFSMounts	bit	N	N	This attribute specifies whether NetBackup is to back up or archive any NFS-mounted files.

Column Name	Data Type	Nulls	Primary Key	Description
frozenImage	integer	Y	N	This attribute specifies the snapshot is retained on the client system by NetBackup.
generationNumber	integer	N	N	This attribute represents policy version number.
hyperVServer	varchar(255)	Y	N	This attribite contains name of the Hyper-V server.
ifrr	bit	N	N	This attribute indicates whether Individual File Restore from Raw is enabled or not.
indexServerName	varchar(255)	Y	N	This attribute contains name of the index server of NetBackup search.(DEPRECATED since OpsCenter 7.7)
isValid	bit	N	N	This attribute indicates whether policy is valid or not.
maxFragSize	integer	Y	N	This attribute represents the maximum fragment size.
maxJobsPerClass	integer	Y	N	This attribute limits the number of jobs that NetBackup performs concurrently when the policy is run.
modifiedBy	varchar(255)	Y	N	This attribute represents which user has modified policy.
numberOfCopies	integer	Y	N	This specifies the total number of backup copies that may exist in the NetBackup catalog (2 through 10).
offHostBackup	bit	N	N	This attribute specifies whether to perform off-host backup or not. Off-host backup shifts the burden of the backup process onto a separate backup agent, reducing backup impact on the clients resources.
phiEnabled	bit	N	N	This attribute indiates whether backup policy is configured with retain snapshots for instant recovery.
policyTimestamp	bigint	N	N	This attribute represents creation timestamp of policy.
proxyClient	long varchar	Y	N	This attribute contains name of the proxy client.
snapshotMethod	long varchar	Y	N	This attribute specifies which snapshot method to use i.e. auto, FlashSnap, Hyper-V etc,
snapshotMethodArgs	long varchar	Y	N	This attribute contains information about configuration parameters of selected snapshot method.
storageUnitName	varchar(255)	Y	N	This attribute specifies the storage destination for the policys data.
streaming	bit	N	N	This attribute specifies that NetBackup can divide automatic backups for each client into multiple jobs.
useAltClient	bit	N	N	This attribute indicates whether to use alternate client for backup processing or not.
useDataMover	bit	N	N	This attribute indicates whether data mover option is enabled or not in case of off-host backup.
useFastBackup	bit	N	N	This attribute indicates whether to use fast backup or not.
virtualMachineType	integer	N	N	This attribute indicates type of virtual machine i.e. Hyper-V or VMware.
volumePoolName	varchar(255)	Y	N	This attribute specifies the default volume pool where the backups for the policy are stored.

Primary Tables

Foreign Key Columns	Primary Table	Primary Key Columns
masterServerId, name, policyDomainName, versionNo	domain_Policy	masterServerId, name, policyDomainName, versionNo
dataMoverType	lookup_DataMoverType	id
clientEncrypt	lookup_PolicyEncryptionType	id

Foreign Key Columns	Primary Table	Primary Key Columns
collectTIRInfo	lookup_TIRInfoType	id
virtualMachineType	lookup_VirtualHostType	id
masterServerId, volumePoolName	nb_VolumePool	masterServerId, name

Foreign Tables

Primary Key Columns	Foreign Table	Foreign Key Columns
masterServerId, name, policyDomainName, versionNo	nb_PolicyCatalogDR	masterServerId, policyName, policyDomainName, policyVersionNo

nb_PolicyCatalogDR

This table stores information related to disaster recovery protection methods for the catalog data.

Column Name	Data Type	Nulls	Primary Key	Description
masterServerId	integer	N	Y	This attribute specifies the entity ID of master server from domain_Entity table.
policyName	varchar(255)	N	Y	This attribute specifies the name of the policy.
policyDomainName	varchar(255)	N	Y	Applicable for TSM backups, used for managing a set of TSM client nodes. It can contain multiple policy sets that manage a subset of the TSM client nodes.
policyVersionNo	integer	N	Y	This attribute specifies the version number of the policy.
classNameCount	integer	Y	N	This attribute represents number of critical policies.
classNames	long varchar	Y	N	This attribute represents names of critical policies.
density	integer	Y	N	This attribute specifies the density of the requested volume.
emailId	long varchar	Y	N	This attribute specifies the email address where the disaster recovery report should be sent.
mediaId	varchar(255)	Y	N	This attribute specifies ID of media in robots.
password	varchar(255)	Y	N	This attribute specifies the password that is required to log on to the share.
passwordEncrypted	bit	N	N	This attribute specifies whether the password is encrypted or not.
path	long varchar	Y	N	This attribute specifies the directory where the disaster recovery information is to be saved.

Primary Tables

Foreign Key Columns	Primary Table	Primary Key Columns
masterServerId, policyName, policyDomainName, policyVersionNo	nb_Policy	masterServerId, name, policyDomainName, versionNo

nb_RetentionLevel

Table that holds data retention data

Column Name	Data Type	Nulls	Primary Key	Description
masterServerId	integer	N	Y	Master server ID on which the retention was created
id	integer	N	Y	Unique identifier of retention level
label	varchar(255)	Y	N	Retention level label
period	integer	Y	N	Period for which that data has to be held
unit	integer	Y	N	Unit of retention, such as number of days

Primary Tables

Foreign Key Columns	Primary Table	Primary Key Columns
masterServerId	domain_MasterServer	id
unit	lookup_RetentionLevelUnit	id

Foreign Tables

Primary Key Columns	Foreign Table	Foreign Key Columns
masterServerId, id	domain_ImageCopy	masterServerId, retentionLevel
masterServerId, id	domain_Media	masterServerId, retentionLevel
masterServerId, id	domain_MediaHistory	masterServerId, retentionLevel
masterServerId, id	nb_Job	masterServerId, retentionLevel
masterServerId, id	nb_JobArchive	masterServerId, retentionLevel

nb_Robot

This table contains information about tape libraries or tape robots

Column Name	Data Type	Nulls	Primary Key	Description
masterServerId	integer	N	Y	ID of master server that is associated with the robot
robotNumber	varchar(255)	N	Y	A unique, logical identification number of the robot where the volume is located
asciiName	varchar(255)	Y	N	ASCII name of robotic device
controlHost	varchar(255)	Y	N	Host that controls robot
daHost	varchar(255)	Y	N	Name of the device host to which this robot is attached
inquiryInfo	varchar(255)	Y	N	SCSI inquiry information
isValid	bit	N	N	Specifies whether the path is valid or not
isVtl	bit	N	N	Virtual tape libraries
maxDrive	integer	Y	N	Information about maximum number of drives to which this robot gets connected
maxSlot	integer	Y	N	Maximum slots that the device may have
pathStatus	integer	Y	N	Status of the path, such as Unknown, Up, Down
remoteld	bit	N	N	Remote NetBackup host on which NetBackup access media and device management functionality is available
vmHost	varchar(255)	Y	N	Specifies the name of the vmHost

Primary Tables

Foreign Key Columns	Primary Table	Primary Key Columns
masterServerId	domain_MasterServer	id
masterServerId, robotNumber	domain_TapeLibrary	masterServerId, id
pathStatus	lookup_PathStatus	id

Foreign Tables

Primary Key Columns	Foreign Table	Foreign Key Columns
masterServerId, robotNumber	nb_RobotPath	masterServerId, robotNumber

nb_RobotPath

This table contains information about tape libraries or tape robot paths

Column Name	Data Type	Nulls	Primary Key	Description
masterServerId	integer	N	Y	ID of master server that is associated with the robot
mediaServerName	varchar(255)	N	Y	Name of media server that is associated with the robot
robotNumber	varchar(255)	N	Y	Logical identification number for the robot where the volume is located; a robot number is unique
devicePath	long varchar	N	Y	Specifies the name of the robotic device that is attached to the NDMP host
bus	integer	Y	N	SCSI bus on which device gets attached
deletedTime	bigint	Y	N	The most recent time when NetBackup performed delete operation
enabled	bit	N	N	This field specifies whether the path is enabled or not
flags	integer	Y	N	Flag information
isValid	bit	N	N	This field specifies whether the path is valid or not
lastSeenTime	bigint	Y	N	The most recent time when NetBackup used the volume for backups
lun	integer	Y	N	Logical unit number, SCSI coordinate
ndmp	bit	N	N	Flag for NDMP
ndmpHost	varchar(255)	Y	N	NDMP host controls the robot
pathStatus	integer	Y	N	Status of the path
port	integer	Y	N	Port of device
robotControl	integer	Y	N	This field specifies type of robot control
target	integer	Y	N	A SCSI target is the endpoint that waits for initiators' commands and provides the required input or output data transfers

Primary Tables

Foreign Key Columns	Primary Table	Primary Key Columns
masterServerId, robotNumber	nb_Robot	masterServerId, robotNumber

nb_Service

Table that holds information of all backup services for the added master server

Column Name	Data Type	Nulls	Primary Key	Description
masterServerId	integer	N	Y	ID of the master server on which the services are running
hostName	varchar(255)	N	Y	Name of the host on which backup services are running
serviceTypeId	integer	N	Y	Type of the service
name	varchar(255)	Y	N	Backup service name
processSize	bigint	Y	N	Size of the service
serviceId	varchar(255)	Y	N	ID of the service
startTime	bigint	Y	N	Time at which the service started
state	integer	Y	N	State of the backup service
totalProcessorTime	bigint	Y	N	Total processor time

Primary Tables

Foreign Key Columns	Primary Table	Primary Key Columns
masterServerId	domain_MasterServer	id
hostType	lookup_HostType	id
state	lookup_ServiceState	id
serviceTypeId	lookup_ServiceType	id

nb_SLPBackLogSummary

This table holds summary data calculated every 24 hours for all storage lifecycle policies.

Column Name	Data Type	Nulls	Primary Key	Description
masterServerId	integer	N	Y	Unique identifier for Master Server in OpsCenter
summaryTime	bigint	N	Y	Summary is calculated every day. Hence this is the time when snapshot for the SLP images is taken.
slpName	varchar(255)	N	Y	Name of Storage Lifecycle Policy
createdImageSize	bigint	Y	N	Size of all images that are created in the last 24 hours.
lastDayOfMonth	integer	Y	N	Date when summary is calculated. If it is the last day of month then the value is set to 1 else the value is set to 0.
lastDayOfWeek	integer	Y	N	Date when summary is calculated. If it is the last day of week then the value is set to 1 else the value is set to 0.
remainingImageSize	bigint	Y	N	Size of all images (not copies), which are still not SLP complete

Primary Tables

Foreign Key Columns	Primary Table	Primary Key Columns
masterServerId	domain_MasterServer	id

nb_StorageServer

This table stores storage server attributes used by OpsCenter

Column Name	Data Type	Nulls	Primary Key	Description
masterServerId	integer	N	Y	Identifies master server ID
name	varchar(255)	N	Y	Identifies name of the storage server
serverType	varchar(255)	N	Y	This is a string that identifies the storage server type. The storage vendor provides the string that identifies the server type.
activeJobs	integer	Y	N	Identifies number of active jobs
flags	integer	Y	N	Identifies flags associated with the storage server
isValid	bit	N	N	Identifies that storage server is valid or not. 1 specifies that the storage server is valid
state	integer	Y	N	Identifies state of the storage server like Up or Down

Primary Tables

Foreign Key Columns	Primary Table	Primary Key Columns
masterServerId	domain_MasterServer	id
state	lookup_StorageServerState	id

Foreign Tables

Primary Key Columns	Foreign Table	Foreign Key Columns
masterServerId, name, serverType	nb_DiskPool	masterServerId, storageServerName, serverType

nb_StorageServiceDestInfo

This table holds configuration data for every destination in a storage lifecycle policy.

Column Name	Data Type	Nulls	Primary Key	Description
masterServerId	integer	N	Y	Unique identifier for Master Server in OpsCenter
id	integer	N	Y	Generated Sequence number for each destination in the SLP hierarchy
altReadServer	varchar(255)	Y	N	Name of the server that is allowed to read images written by some other media server. Applicable only for duplication operation
destStorageGuid	varchar(255)	Y	N	Generated GUID for the destination
isLeaf	bit	N	N	If this is the last destination in the tree then its value is set to 1
nSourceTag	integer	Y	N	Index of source destination for duplication or replication
parentDestId	varchar(255)	Y	N	Equal to -1 if it is a root destination. In the SLP hierarchy, this is equal to value in the field "destStorageGUID" of parent destination
preserveMpx	bit	N	N	Preserve multiplexing option available for duplication that uses tape media. Value is either 0 or 1
residence	long varchar	Y	N	Storage Unit Name
retentionLevel	integer	Y	N	Retention level that corresponds to retention
retentionType	integer	Y	N	Type of expiration for example, Maximum Snapshot Limit, Remote Retention, Expire After Duplication, Staged Capacity Managed, Fixed and so on
slpIndex	integer	Y	N	SLP Index
slpVersion	integer	N	N	Version of Storage Life cycle Policy
storageName	varchar(255)	Y	N	Name of Storage Life cycle Policy
targetImportSLP	varchar(255)	Y	N	Target import SLP
targetMasterServer	varchar(255)	Y	N	Target Masterserver
targetMSGuid	varchar(255)	Y	N	Target Masterserver GUID
usageType	integer	Y	N	Operations like Backup, Duplication, Snapshot, Import
volumePool	long varchar	Y	N	Volume Pool

Primary Tables

Foreign Key Columns	Primary Table	Primary Key Columns
masterServerId	domain_MasterServer	id
retentionLevel	lookup_StorageServiceRetentionLevel	id
retentionType	lookup_StorageServiceRetentionType	id
usageType	lookup_StorageServiceUsageType	id
masterServerId, storageName, slpVersion	nb_StorageServiceInfo	masterServerId, name, slpVersion

nb_StorageServiceInfo

This table holds storage lifecycle policy configuration data.

Column Name	Data Type	Nulls	Primary Key	Description
masterServerId	integer	N	Y	Unique identifier for Master Server in OpsCenter
name	varchar(255)	N	Y	Name of Storage Lifecycle Policy
slpVersion	integer	N	Y	Version of Storage Lifecycle Policy
dataClassification	long varchar	Y	N	Data Classification Name
isCurrent	integer	Y	N	If it is set to 1 then this is the current version of a Storage Lifecycle Policy
isValid	bit	N	N	Indicates whether the record is valid or not. 1 specifies that the record is valid.
policyName	long varchar	Y	N	Policy Name for Storage Lifecycle Policy. This is not the same as NetBackup policy Name
secondaryOperation	integer	Y	N	secondary operation like Active or Suspended

Primary Tables

Foreign Key Columns	Primary Table	Primary Key Columns
masterServerId	domain_MasterServer	id
secondaryOperation	lookup_StorageServiceSecondaryOperation	id

Foreign Tables

Primary Key Columns	Foreign Table	Foreign Key Columns
masterServerId, name, slpVersion	nb_StorageServiceDestInfo	masterServerId, storageName, slpVersion

nb_StorageUnit

This table stores storage unit attributes used by OpsCenter

Column Name	Data Type	Nulls	Primary Key	Description
masterServerId	integer	N	Y	Specifies master server ID for the storage unit
name	varchar(255)	N	Y	Specifies name of storage unit
concurrentJobs	integer	Y	N	Specifies the maximum number of jobs that NetBackup can send to a disk storage unit at one time. The default setting is one job
deletedTime	bigint	Y	N	Specifies the time when storage unit is deleted
density	integer	Y	N	Specifies density of storage unit
diskGroupName	varchar(255)	Y	N	Specifies name of the disk group
diskPoolId	varchar(255)	Y	N	Specifies disk pool ID
enableBlockSharing	bit	N	N	Specifies whether block sharing has been enabled or not. 1 means enabled; 0 means not enabled.
flags	integer	Y	N	Specifies flags associated with storage unit
freeSpace	bigint	Y	N	Specifies free space on a storage unit
highWaterMark	integer	Y	N	Specifies high water mark setting of a storage unit
host	varchar(255)	Y	N	Specifies host or media server for the storage unit
hostList	long varchar	Y	N	Specifies list of hosts for the storage unit
hostMediaServerId	integer	Y	N	Specifies host or media server ID for the storage unit
initialMpx	integer	Y	N	Specifies initial multiplex value
isIndependentCopy	integer	N	N	Specifies if the storage unit is capable of holding independent images in case of replication. 1 means can hold independent images; 0 means can not hold independent images.
isMirror	integer	N	N	Specifies if the storage unit is capable of holding mirror images (SnapMirror) in case of replication. 1 means can hold mirror images; 0 means can not hold mirror images.
isPrimary	integer	N	N	Specifies if the storage unit is primary in case of replication. 1 means primary which means client snapshot can be taken on this storage unit; 0 means this storage unit can take copy of snapshot image either through Snapvault or SnapMirror, -1 means not applicable;
isRepSource	bit	N	N	Specifies if the storage unit is source of replication. 1 means it is source of replication; 0 means not a source of replication.
isRepTarget	bit	N	N	Specifies if the storage unit is target of replication. 1 means it is target of replication; 0 means not a target of replication.
isSnapshot	integer	N	N	Specifies if the storage unit is snapshot capable. 1 means snapshot capable; 0 means not snapshot capable.
isValid	bit	N	N	Specifies if the storage unit is valid. 1 means valid; 0 means not valid.
lastRereadStunit	bigint	Y	N	Specifies the time when the storage unit was last read
lastSeenTime	bigint	Y	N	Specifies the time when the storage unit was last seen
lowWaterMark	integer	Y	N	Specifies low water mark of the storage unit
maxFragSize	integer	Y	N	specifies the largest fragment size that NetBackup can create to store backups on this storage unit

Column Name	Data Type	Nulls	Primary Key	Description
maxMpx	integer	Y	N	Specifies the maximum number of concurrent, multiple client backups that NetBackup can multiplex onto a single drive
mediaSubType	integer	Y	N	Specifies Media sub type like Basic disk, NearStore, Snp Vault, Array Disk, Pre Disk, Disk pool and so on
mediaType	integer	Y	N	Specifies type of Media like hcart, dlt, 4mm, and so on
ndmpAttachHost	varchar(255)	Y	N	Specifies the NDMP server that is used to write data to tape
okOnRoot	bit	N	N	Specifies if the directory can exist on root file system. 1 means the directory can exist; 0 means the directory cannot exist;
onDemandOnly	bit	N	N	Specifies whether the storage unit is available exclusively on demand - that is, only when a policy or schedule is explicitly configured to use this storage unit.
path	varchar(255)	Y	N	Specifies the absolute path to a file system or a volume available for backups to disk.
potentialFreeSpace	bigint	Y	N	Specifies potential free space on the storage unit that NetBackup could free if extra space on volume is needed.
replication	integer	N	N	Specifies replication properties like Source, Target, Mirror and so on, as defined in lookup_Replication.
robotNumber	integer	Y	N	Specifies the number of robots that the storage unit contains
robotType	integer	Y	N	Specifies the type of robot (if any) that the storage unit contains
staging	bit	N	N	Specifies whether or not the storage unit is used for staging. 0 means not used for staging; 1 means used for staging.
storageUnitId	integer	N	N	Specifies storage unit ID
throttle	integer	Y	N	This setting allows the user to limit the amount of network bandwidth that is used for the SnapVault transfer.
timeLastSelected	bigint	Y	N	Specifies the time when the storage unit was last selected
totalCapacity	bigint	Y	N	Specifies total capacity of the storage unit

Primary Tables

Foreign Key Columns	Primary Table	Primary Key Columns
masterServerId	domain_MasterServer	id
masterServerId, host	domain_MediaServer	masterServerId, name
density	lookup_DensityType	id
mediaSubType	lookup_MediaSubType	id
replication	lookup_Replication	id
robotType	lookup_RobotType	id
mediaType	lookup_StorageUnitType	id

Foreign Tables

Primary Key Columns	Foreign Table	Foreign Key Columns
masterServerId, name	nb_DeviceUsageArchive	masterServerId, storageUnit
masterServerId, name	nb_JobAttempt	masterserverId, srcStorageUnit
masterServerId, name	nb_JobAttempt	masterserverId, destStorageUnit
masterServerId, name	nb_JobAttemptArchive	masterserverId, destStorageUnit
masterServerId, name	nb_JobAttemptArchive	masterserverId, srcStorageUnit
masterServerId, name	nb_JobBackupAttributes	masterserverId, srcStorageUnit
masterServerId, name	nb_JobBackupAttributes	masterserverId, destStorageUnit
masterServerId, name	nb_JobBackupAttributesArchive	masterserverId, destStorageUnit
masterServerId, name	nb_JobBackupAttributesArchive	masterserverId, srcStorageUnit
masterServerId, name	nb_StorageUnitsInGroup	masterServerId, storageUnitName

nb_StorageUnitGroup

This table stores attributes of the storage unit group that are used by OpsCenter

Column Name	Data Type	Nulls	Primary Key	Description
masterServerId	integer	N	Y	Specifies master server ID for the storage unit group
name	varchar(255)	N	Y	Specifies name of storage unit group
deletedTime	bigint	Y	N	Specifies the time when storage unit group is deleted
isIndependentCopy	integer	N	N	Specifies if the storage unit group is capable of holding independent images in case of replication. 1 means can hold independent images; 0 means can not hold independent images.
isMirror	integer	N	N	Specifies if the storage unit group is capable of holding mirror images (SnapMirror) in case of replication. 1 means the storage unit group can hold mirror images; 0 means the storage unit group cannot hold mirror images.
isPrimary	integer	N	N	Specifies if the storage unit group is primary in case of replication. 1 means primary, which means client snapshot can be taken on this storage unit group; 0 means this storage unit group can take copy of snapshot image either through Snapvault or SnapMirror, -1 means not applicable;
isRepSource	bit	N	N	Specifies if the storage unit group is a source of replication. 1 means the storage unit group is a source of replication; 0 means the storage unit group is not a source of replication.
isRepTarget	bit	N	N	Specifies if the storage unit group is target of replication. 1 means it is target of replication; 0 means not a target of replication.
isSnapshot	integer	N	N	Specifies if the storage unit group is snapshot capable. 1 means the storage unit group is snapshot capable; 0 means the storage unit group is not snapshot capable.
isValid	bit	N	N	Specifies if the storage unit group is valid. 1 means valid; 0 means invalid.
lastSeenTime	bigint	Y	N	Specifies the time when the storage unit group was last seen
replication	integer	N	N	Specifies replication properties like Source, Target, Mirror and so on, as defined in lookup_Replication.
selectionMethod	integer	Y	N	Specifies selection method of storage unit group like Prioritized, Least Recently Selected, Failover, Media Server Load Balance and so on, as defined in lookup_StorageUnitGroupSelectionMethod.

Primary Tables

Foreign Key Columns	Primary Table	Primary Key Columns
masterServerId	domain_MasterServer	id
replication	lookup_Replication	id
selectionMethod	lookup_StorageUnitGroupSelectionMethod	id

Foreign Tables

208 | OpsCenter Database Tables

Primary Key Columns	Foreign Table	Foreign Key Columns
masterServerId, name	nb_StorageUnitsInGroup	masterServerId, storageGroupName

nb_StorageUnitsInGroup

This table stores the storage units that are present in the storage unit group.

Column Name	Data Type	Nulls	Primary Key	Description
masterServerId	integer	N	Y	Specifies the master server ID for the storage unit group
storageGroupName	varchar(255)	N	Y	Specifies the name of the storage unit group
storageUnitName	varchar(255)	N	Y	Specifies the name of the storage unit
priority	integer	Y	N	Specifies priority of the storage unit within a prioritized storage unit group

Primary Tables

Foreign Key Columns	Primary Table	Primary Key Columns
masterServerId, storageUnitName	nb_StorageUnit	masterServerId, name
masterServerId, storageGroupName	nb_StorageUnitGroup	masterServerId, name

nb_SummaryMedia

This table stores the media summary.

Column Name	Data Type	Nulls	Primary Key	Description
masterServerId	integer	N	Y	This attribute specifies a unique identifier for Master Server in OpsCenter.
mediaServerName	varchar(255)	N	Y	This attribute specifies the name of the device host or Virtual Cluster.
robotNumber	varchar(255)	N	Y	This attribute specifies a robot number, which is a unique, logical identification number for the robot where the volume is located.
mediaTypeOrdinal	integer	N	Y	This attribute of media (ordinal) indicates the media by means of its order in the list.
summaryTime	bigint	N	Y	This attribute specifies the date and time when the summary of the media was obtained.
assignedVolumesCount	integer	Y	N	This attribute specifies the count of volumes assigned to this media.
averageCountCleaningsRemaining	integer	Y	N	This attribute specifies the number of cleanings that are allowed for this media.
averageCountDaysAssigned	integer	Y	N	This attribute specifies the count of days on an average that this media is assigned.
averageCountImages	integer	Y	N	This attribute specifies the average count of images on this media.
averageCountMounts	integer	Y	N	This attribute specifies the count of mounts this media has had.
averageKB	integer	Y	N	This attribute specifies the average size of data on all medias.
cleaningTapesCount	integer	Y	N	This attribute specifies the count of cleanings that remain for the cleaning media in the EMM DB. Replace the cleaning tape or increase the number of cleanings for the cleaning media before the count reaches zero.
frozenCount	integer	Y	N	This attribute specifies the count of frozen volumes for this media. A frozen volume is unavailable for future backups.
fullCount	integer	Y	N	This attribute specifies the count of media that is full or close to capacity.
offSiteCount	integer	Y	N	This attribute specifies the count of medias at offsite location.
recycledCount	integer	Y	N	This attribute specifies the count of media that is recycled. NetBackup allows you to recycle a volume to be reused again as an existing media ID or a new media ID.
suspendedCount	integer	Y	N	This attribute specifies the count of medias that have been suspended. The action of suspending is the same as freeze; except when the media ID expires, it is immediately unassigned in the NetBackup volume pool.
unassignedVolumeCount	integer	Y	N	This attribute specifies the count of volumes that are not assigned for the media.

Primary Tables

Foreign Key Columns	Primary Table	Primary Key Columns
masterServerId	domain_MasterServer	id

Foreign Key Columns	Primary Table	Primary Key Columns
mediaTypeOrdinal	lookup_MediaType	id

nb_TapeDrive

This table stores NetBackup tape drive attributes used by OpsCenter .

Column Name	Data Type	Nulls	Primary Key	Description
masterServerId	integer	N	Y	Specifies master server ID for the tape drive.
name	varchar(255)	N	Y	Specifies name of the tape drive.
acs	integer	Y	N	Specifies the ACS library software index that identifies the robot where this drive is located.
cleanFreq	bigint	Y	N	Specifies the cleaning frequency for the drive (in hours). The default frequency is zero.
controlHostname	varchar(255)	Y	N	Specifies name of the control host for this drive
controlMode	integer	Y	N	Specifies control mode of the drive like Down, Operator, AVR and so on, as defined in lookup_ControlMode
drive	integer	Y	N	Specifies the ACS library software physical number of the drive.
driveStatus	integer	Y	N	Specifies drive status of the tape drive like Up, Down, Mixed as defined in lookup_DriveStatus
evsn	varchar(255)	Y	N	Specifies external media ID of the tape drive
inquiryInfo	varchar(255)	Y	N	Specifies the device information that is returned from the device. This information is used to identify the device. For example, vendor ID, product ID, and product revision.
isControlUp	bit	N	N	Specifies if the control is Up.
isValid	bit	N	N	Specifies if the tape drive is valid. 1 means valid; 0 means invalid.
lastCleanTime	bigint	Y	N	Specifies the last clean time of the tape drive.
localControl	bit	N	N	Specifies if the drive has local control. 1 means has local control; 0 means the drive does not have local control.
lsm	integer	Y	N	Specifies the ACS Library Storage Module where this drive is located.
mountedTime	bigint	Y	N	Specifies the time when the tape drive was mounted.
ndmp	bit	N	N	Specifies if the drive is NDMP drive or not. 1 means NDMP drive; 0 means not an NDMP drive.
occupyIndex	integer	Y	N	Specifies an index that was assigned to the drive during configuration.
oprComment	varchar(255)	Y	N	Specifies comments associated with a drive.
panel	integer	Y	N	Specifies the ACS robot panel where this drive is located.
reachable	integer	N	N	Specifies the reachable state of the drive like reachable, unreachable, mixed and so on, as defined in lookup_DriveReachableState
ready	bit	N	N	Specifies if the drive is ready. 1 means ready; 0 means not ready.
reason	integer	Y	N	Specifies the reason why drive might be in unusable state
requestId	varchar(255)	Y	N	Specifies a system-assigned number that identifies the request
robotType	integer	Y	N	Specifies the type of robot that contains this drive like TL4, ACS and so on, as defined in lookup_RobotType
scanHost	varchar(255)	Y	N	Specifies name of the scan host for this drive.
tapeAlert1	integer	Y	N	Specifies tape alert if any

Column Name	Data Type	Nulls	Primary Key	Description
tapeAlert2	integer	Y	N	Specifies tape alert if any
tapeAlertEnabled	bit	N	N	Specifies if tape alert is enabled. 1 means enabled; 0 means disabled.
totalTime	bigint	Y	N	Specifies the total mount time.
userName	varchar(255)	Y	N	Specifies the user Name.
vendorDriveName	varchar(255)	Y	N	Specifies vendor drive name.
vmHost	varchar(255)	Y	N	Specifies name of the vmHost.
volumeHeader	varchar(255)	Y	N	Specifies volume Header.
worldWideId	varchar(255)	Y	N	Specifies worldWideId.
writeEnabled	bit	N	N	Specifies if write is enabled on tape drive. 1 means enabled; 0 means disabled.

Primary Tables

Foreign Key Columns	Primary Table	Primary Key Columns
masterServerId	domain_MasterServer	id
masterServerId, name	domain_TapeDrive	masterServerId, name
controlMode	lookup_ControlMode	id
reachable	lookup_DriveReachableState	id
driveStatus	lookup_DriveStatus	id
robotType	lookup_RobotType	id

Foreign Tables

Primary Key Columns	Foreign Table	Foreign Key Columns
masterServerId, name	nb_TapeDrivePath	masterServerId, driveName

nb_TapeDrivePath

This table stores information of NetBackup tape drive path

Column Name	Data Type	Nulls	Primary Key	Description
masterServerId	integer	N	Y	Specifies master server ID for the tape drive path.
mediaServerName	varchar(255)	N	Y	Specifies media server ID for the tape drive path.
driveName	varchar(255)	N	Y	Specifies name of the drive
devicePath	long varchar	N	Y	Specifies path to a drive
ndmpHost	varchar(255)	N	Y	Specifies name of the NDMP host
bus	integer	Y	N	Specifies the bus coordinates of the device
deletedTime	bigint	Y	N	Specifies the time when tape drive path is deleted
driveControl	integer	Y	N	Specifies control mode of the drive like Down, Operator, AVR and so on, as defined in lookup_ControlMode
enabled	bit	N	N	Specifies that the drive path is enabled or active and that NetBackup can use it for backups and restores. 1 means enabled; 0 means disabled.
flags	integer	Y	N	Specifies associated flags with the drive path
indexNum	integer	Y	N	Specifies index number of the drive path
isValid	bit	N	N	Specifies if the drive path is valid. 1 means valid; 0 means invalid.
lastSeenTime	bigint	Y	N	Specifies the time when the drive path was last seen
lun	integer	Y	N	Specifies the LUN coordinates of the device
ndmp	bit	N	N	Specifies if NDMP or not. 1 means NDMP; 0 means not an NDMP.
pathStatus	integer	Y	N	Specifies status of the drive path like Up, Down, Disabled and so on, as defined in lookup_PathStatus
port	integer	Y	N	Specifies the port coordinates of the device
reachable	integer	N	N	Specifies the reachable state of the drive path like reachable, unreachable, mixed and so on, as defined in lookup_DriveReachableState
serialNumber	varchar(255)	N	N	Specifies serial Number of the tape drive path
target	integer	Y	N	Specifies the target coordinates of the device

Primary Tables

Foreign Key Columns	Primary Table	Primary Key Columns
driveControl	lookup_ControlMode	id
reachable	lookup_DriveReachableState	id
pathStatus	lookup_PathStatus	id
masterServerId, driveName	nb_TapeDrive	masterServerId, name

nb_TapeDrivePendingRequests

This table shows the media and device-related requests. Pending request is for a tape mount that NetBackup cannot service automatically. Operator assistance is required to complete the request.

Column Name	Data Type	Nulls	Primary Key	Description
id	integer	N	Y	Specifies a system-assigned number that identifies the request.
barcode	varchar(255)	Y	N	Specifies the alphanumeric representation of the bar code label on the requested volume.
density	integer	Y	N	Specifies the density of the requested volume.
externalMediaId	char(6)	Y	N	Specifies the external media ID of the requested volume.
isValid	bit	N	N	Specifies if the pending request is valid. 1 means valid; 0 means not valid.
masterServerId	integer	N	N	Specifies master server ID of the drive.
mediaDescription	char(25)	Y	N	Describes the media in 25 or less alphanumeric characters. You create the description when you configure volumes.
mode	char(5)	Y	N	Specifies whether the volume should be write enabled
processUserId	varchar(255)	Y	N	Specifies ID of the user who made request for the access
recordedMediaId	char(6)	Y	N	Specifies the media ID of the volume. It should match the media ID that is stored in the EMM database. A volume with a recorded media ID is a labeled volume. Unlabeled volumes do not have recorded media IDs. The recorded media ID should be the same as the external media ID.
requestTime	bigint	Y	N	Specifies the time of day the user made the request for access.
volumeGroupName	varchar(255)	Y	N	Specifies the volume group to which this volume belongs.

Primary Tables

Foreign Key Columns	Primary Table	Primary Key Columns
masterServerId	domain_MasterServer	id
density	lookup_DensityType	id
masterServerId, volumeGroupName	nb_VolumeGroup	masterServerId, name

nb_VaultedMediaSummary

This table stores details of media that is vaulted.

Column Name	Data Type	Nulls	Primary Key	Description
masterServerId	integer	N	Y	This attribute represents a unique identifier for Master Server in OpsCenter.
vaultName	varchar(255)	N	Y	This attribute specifies the name of the vault for this media.
summaryTime	bigint	N	Y	This attribute specifies the date and time when the summary of the vaulted media was obtained.
offsiteMediaCount	integer	Y	N	This attribute specifies count for offsite media for the media placed in a vault (it could be at a remote location).

nb_VirtualMachines

This table stores information of the NetBackup virtual machines.

Column Name	Data Type	Nulls	Primary Key	Description
masterServerId	integer	N	Y	Unique identifier of master server
virtualServer	varchar(255)	N	Y	Virtual server name
uuid	text	N	Y	The UUID of the virtual machine
instanceId	varchar(255)	N	Y	The globally unique ID assigned to the virtual machine when the virtual machine is created. This ID uniquely identifies the virtual machine within a vCenter server. Even if the virtual machine has been duplicated (such as within a vCloud), only the original virtual machine retains this instance ID. (The duplicate virtual machines are assigned different instance UUIDs). This option applies only to backup hosts (NetBackup clients) at 7.5 or later. If your backup host is 7.5 or later, this option is recommended instead of the VMware BIOS UUID option. VM instance UUIDs are not available for standalone ESX 3.5 or ESXi 3.5 servers or for servers that VirtualCenter 2.5 manages.
clientId	integer	Y	N	Unique identifier of client
dataStore	varchar(255)	Y	N	The datastore where the virtual machine configuration files are stored
deleted	bit	N	N	Identifies that virtual machine is deleted or not; 1 specifies virtual machine is deleted
discoveredTime	bigint	Y	N	Time at which the virtual machine's UUID was initially discovered and cached
dnsName	varchar(255)	Y	N	The VMware "DNS Name" of the virtual machine
hardware	varchar(255)	Y	N	Virtual machine hardware
hostName	varchar(255)	Y	N	Virtual machine host name
IPAddress	varchar(255)	Y	N	Virtual machine IP address
isValid	bit	N	N	Identifies if virtual machine is valid or not; 1 specifies virtual machine is valid
name	varchar(255)	Y	N	Virtual machine name
operatingSystem	varchar(255)	Y	N	Operating system of virtual machine
powerState	integer	Y	N	The power on or power off status of the virtual machine when it was last discovered
proxyServer	varchar(255)	Y	N	NetBackup client that performs backups on behalf of the virtual machines, which is formerly known as the VMware backup proxy server
resourcePool	varchar(255)	Y	N	Resource pool for the virtual machine
type	integer	Y	N	Virtual server name. 1 represents VMWare and 2 represents Hyper-v

Primary Tables

Foreign Key Columns	Primary Table	Primary Key Columns
masterServerId	domain_MasterServer	id

nb_VolumeGroup

This table stores the details of volume group properties.

Column Name	Data Type	Nulls	Primary Key	Description
masterServerId	integer	N	Y	This attribute represents a unique identifier for Master Server in OpsCenter.
name	varchar(255)	N	Y	This attribute specifies the user defined name set for the volume group.
deletedTime	bigint	Y	N	This attribute specifies the date and time when this volume group was deleted.
isValid	bit	N	N	This attribute specifies if this volume group is a valid volume group. A value of 1 (true) means that this volume group is a valid volume group and 0 (false) means the volume group is not valid.
lastSeenTime	bigint	Y	N	This attribute specifies the date and time when the volume group was last seen.
robotHostName	varchar(255)	Y	N	This attribute represents the name of the host that controls the robot where the volume group is located.
robotNumber	integer	Y	N	This attribute represents a robot number, which is a unique, logical identification number for the robot where the volume group is located.
robotType	integer	Y	N	This attribute specifies the type of the robot for this volume group.
volumeCount	integer	Y	N	This attribute specifies the count or number of volumes.
volumeType	integer	Y	N	This attribute specifies the type of volume for this volume group.

Primary Tables

Foreign Key Columns	Primary Table	Primary Key Columns
masterServerId	domain_MasterServer	id

Foreign Tables

Primary Key Columns	Foreign Table	Foreign Key Columns
masterServerId, name	domain_Media	masterServerId, volumeGroupName
masterServerId, name	nb_TapeDrivePendingRequests	masterServerId, volumeGroupName

nb_VolumePool

This table stores details of the volume pool.

Column Name	Data Type	Nulls	Primary Key	Description
masterServerId	integer	N	Y	This attribute specifies a unique identifier for Master Server in OpsCenter.
name	varchar(255)	N	Y	This attribute specifies the user defined name set for the volume pool.
catalogPool	bit	N	N	This attribute indicates if a Catalog Backup volume pool exists for this volume pool.
deletedTime	bigint	Y	N	This attribute represents a date and time when this volume pool was deleted.
description	long varchar	Y	N	This attribute stores user-defined description of the volume pool.
hostName	varchar(255)	Y	N	This attribute specifies the name of the host where the volume pool resides.
isValid	bit	N	N	This attribute specifies a yes or no property indicating if the volume pool is valid or not. A value of 1 (true) here means that the volume pool is valid and 0 (false) here means the volume pool is not valid.
lastSeenTime	bigint	Y	N	This attribute specifies the date and time when the volume pool was last seen.
maxPartFull	integer	Y	N	This attribute specifies the number of partially full media to be used by the volume pool. The default value is Zero (0), which means that the number of partially full media is unlimited.
scratchPool	bit	N	N	This attribute represents a scratch pool, which is an optional pool that contains the media that NetBackup can allocate to other pools as needed. NetBackup moves volumes from that scratch pool to other pools that do not have volumes available.
volumePoolNumber	integer	Y	N	This attribute specifies the number allocated to this volume pool.

Primary Tables

Foreign Key Columns	Primary Table	Primary Key Columns
masterServerId	domain_MasterServer	id

Foreign Tables

Primary Key Columns	Foreign Table	Foreign Key Columns
masterServerId, name	domain_Media	masterServerId, volumePoolName
masterServerId, name	nb_Policy	masterServerId, volumePoolName

TaskContext

This table is used for keeping the task context information

Column Name	Data Type	Nulls	Primary Key	Description
context	varchar(1023)	N	Y	Unique context name of the task

Foreign Tables

Primary Key Columns	Foreign Table	Foreign Key Columns
context	TaskMessage	context

TaskMessage

This table is used for keeping the task log message information

Column Name	Data Type	Nulls	Primary Key	Description
seqNo	integer	N	Y	unique identifier used internally
context	varchar(1023)	N	N	context name of the task
logMessage	varchar(1023)	N	N	step wise logmessages of the specific context
logTime	bigint	N	N	logmessages entry timestamp

Primary Tables

Foreign Key Columns	Primary Table	Primary Key Columns
context	TaskContext	context

view_Group

Stores the list of user groups created in OpsCenter

Column Name	Data Type	Nulls	Primary Key	Description
id	integer	N	Y	Unique identifier of the user group
createdByUserId	integer	N	N	Unique identifier of the user who created this user group
createdTime	bigint	N	N	User group creation time
description	varchar(255)	Y	N	Description of the user group
lastModifiedByUserId	integer	N	N	Unique identifier of the user who modified this user group recently
lastModifiedTime	bigint	N	N	Last modified time
name	varchar(80)	N	N	Name of the user group

Foreign Tables

Primary Key Columns	Foreign Table	Foreign Key Columns
id	view_TreeAccessGroup	groupId
id	view_UserGroup	groupId

view_Node

Stores the list of nodes or containers that are created in OpsCenter. A container is part of a view and this contains another container or entities like master server, client, policy and so on.

Column Name	Data Type	Nulls	Primary Key	Description
id	integer	N	Y	Unique identifier of the node or container
createdByUserID	integer	N	N	Unique identifier of the user who created this container
createdTime	bigint	N	N	Container creation time
deleted	bit	N	N	Specifies whether this container is deleted (1) or not (0)
entityId	integer	N	N	Unique identifier of the entity like master server, client, policy, vault and so on
hasChildren	bit	N	N	Specifies whether this container is a leaf (0) or not (1).
lastModifiedByUserID	integer	N	N	Unique identifier of the user who modified this container recently
lastModifiedTime	bigint	N	N	Last modified time
leftNumber	integer	N	N	Stores the left number of the container. Left number if used to identify ancestors and descendents quickly
level	integer	N	N	Level number of the container. Level number of the root is 0.
parentNodeid	integer	N	N	Unique identifier of the parent container
rightNumber	integer	N	N	Stores left number of the container. Left number if used to identify ancestors and descendents quickly.
sequenceNumber	integer	N	N	Currently this column is not being used.
treeld	integer	N	N	Unique identifier of the view to which this container belongs
type	integer	N	N	Specifies the type of the container like Generic(1), continent(2), Country(3), Province(4), City(5), Building(6), Department(7), Report(64)

Primary Tables

Foreign Key Columns	Primary Table	Primary Key Columns
entityId	domain_Entity	id
parentNodeid	view_Node	id
type	view_NodeType	id
treeld	view_Tree	id

Foreign Tables

Primary Key Columns	Foreign Table	Foreign Key Columns
id	view_Node	parentNodeid

view_NodeType

Reference table for node type

Column Name	Data Type	Nulls	Primary Key
id	integer	N	Y
name	varchar(255)	N	N

Foreign Tables

Primary Key Columns	Foreign Table	Foreign Key Columns
id	view_Node	type

Translated Values

id	Translated Value
1	Generic
2	Continent
3	Country
4	Province
5	City
6	Building
7	Department
64	Report
2048	Dedupe_Appliance_CR

view_Tree

Stores the list of views that are created in OpsCenter.

Column Name	Data Type	Nulls	Primary Key	Description
id	integer	N	Y	Unique identifier of the view
createdByUserID	integer	N	N	Unique identifier of the user who created this view
createdTime	bigint	N	N	View creation time
description	long varchar	Y	N	Description of the view provided by user
isPublic	bit	N	N	Specifies whether the view is publicly available to all users (1) or to some restricted users (0)
lastModifiedByUserID	integer	N	N	Unique identifier of the user who modified this view recently
lastModifiedTime	bigint	N	N	Last modified time
name	varchar(80)	N	N	Name of the view
type	integer	N	N	Specifies the type of the view like Master Server (2), Client(8), File System (16), Policy (32), Standard Report (64), Save Report

Primary Tables

Foreign Key Columns	Primary Table	Primary Key Columns
type	view_TreeType	id

Foreign Tables

Primary Key Columns	Foreign Table	Foreign Key Columns
id	view_Node	treeld
id	view_TreeAccessGroup	treeld
id	view_TreeAccessUser	treeld
id	view_TreeLevelAlias	treeld

view_TreeAccessGroup

Stores the access permissions of user groups to access views

Column Name	Data Type	Nulls	Primary Key	Description
id	integer	N	Y	Auto-increment ID to uniquely identify a permission entry
createdByUserId	integer	N	N	Unique identifier of the user who created this view
createdTime	bigint	N	N	Time when permission was granted
groupId	integer	N	N	Unique identifier of the group
lastModifiedByUserId	integer	N	N	Unique identifier of the user who modified this entry recently
lastModifiedTime	bigint	N	N	Last modified time
treeld	integer	N	N	Unique identifier of the view

Primary Tables

Foreign Key Columns	Primary Table	Primary Key Columns
groupId	view_Group	id
treeld	view_Tree	id

view_TreeAccessUser

Stores the access permissions of users to access views. This view does not contain entries for Administrators, as by default, they have all access rights on views.

Column Name	Data Type	Nulls	Primary Key	Description
id	integer	N	Y	Unique identifier to identify a permission entry. This is an auto-increment column.
createdByUserId	integer	N	N	Unique identifier of the user who granted this access
createdTime	bigint	N	N	Time when permission was granted
lastModifiedByUserId	integer	N	N	Unique identifier of the user who modified this entry recently
lastModifiedTime	bigint	N	N	Last modified time
treeld	integer	N	N	Unique identifier of the view
userId	integer	N	N	Unique identifier of the user

Primary Tables

Foreign Key Columns	Primary Table	Primary Key Columns
treeld	view_Tree	id

view_TreeLevelAlias

Stores the aliases given to the levels of the view

Column Name	Data Type	Nulls	Primary Key	Description
treeld	integer	N	Y	Unique identifier of the tree
level	integer	N	Y	Unique identifier of the level. Unique identifier of root level is 0.
createdByUserID	integer	N	N	Unique identifier of the user who created this view
createdTime	bigint	N	N	Alias creation time
lastModifiedByUserID	integer	N	N	Unique identifier of the user who modified this entry recently
lastModifiedTime	bigint	N	N	Last modified time
name	varchar(255)	N	N	Name or label given to the specified level

Primary Tables

Foreign Key Columns	Primary Table	Primary Key Columns
treeld	view_Tree	id

view_TreeType

Reference table for tree type (like Master Server, Client Policy and so on)

Column Name	Data Type	Nulls	Primary Key
id	integer	N	Y
name	varchar(255)	N	N

Foreign Tables

Primary Key Columns	Foreign Table	Foreign Key Columns
id	view_Tree	type

Translated Values

id	Translated Value
2	Master Server
8	Client
16	File System
32	Policy
64	Standard Report
128	Save Report
256	Exchange Server
512	Enterprise Vault Server
1024	Vault
2048	Standard Report Appliance

view_UserGroup

Stores the association between users and user groups. Each entry specifies a user who belongs to a specific group.

Column Name	Data Type	Nulls	Primary Key	Description
groupId	integer	N	Y	Unique identifier of the group to which the specified user belongs.
userId	integer	N	Y	Unique identifier of the user

Primary Tables

Foreign Key Columns	Primary Table	Primary Key Columns
groupId	view_Group	id

OpsCenter Database Views

nom_Drive

This database view provides the information about the drives.

Column Name	Data Type	Nulls	Primary Key	Description
Acs	integer	Y	N	Specifies the ACS library software index that identifies the robot where this drive is located.
AssignedHost	varchar(255)	Y	N	Specifies the current device host for the drive.
CleanFreq	bigint	Y	N	Specifies the cleaning frequency for the drive (in hours). The default frequency is zero.
ControlHostname	varchar(255)	Y	N	Specifies the name of the device host where the robot is defined.
ControlMode	integer	Y	N	Specifies control mode ID of the drive like Down, Operator, AVR and so on, as defined in lookup_ControlMode.
ControlModeName	varchar(255)	Y	N	Specifies control mode name of the drive like Down, Operator, AVR and so on, as defined in lookup_ControlMode.
DeletedTime	bigint	Y	N	Specifies the time when the drive is deleted.
DeletedTime_offset	integer	Y	N	Specifies offset from GMT in seconds as per the Master Server-specific Timezone.
Drive	integer	Y	N	Specifies the ACS library software's physical number of the drive.
DriveId	varchar(523)	Y	N	Specifies the Master Server ID, Tape Drive Name, and Tape Drive Serial; separated by semicolons.
DriveIdentifier	varchar(255)	Y	N	Specifies different drive types like hcart, hcart2, 4mm, 8mm and so on, as defined in lookup_DriveType.
DriveName	varchar(255)	N	N	Specifies name of the tape drive.
DriveOEMDensityName	varchar(255)	Y	N	Specifies information about density of media like 4mm - 4mm Cartridge, 8mm2 - 8mm Cartridge 2 and so on, as defined in lookup_DensityType.
DriveOrdinalID	integer	N	N	Specifies different drive type IDs for drive type, as defined in lookup_DriveType.
DriveStatus	integer	Y	N	Specifies drive status IDs of the tape drive like Up, Down, Mixed as defined in lookup_DriveStatus.
DriveStatusName	varchar(255)	Y	N	Specifies drive statuses of the tape drive like Up, Down, Mixed as defined in lookup_DriveStatus.
DriveType	integer	Y	N	Specifies the drive types as defined in lookup_driveType.
Enabled	bit	N	N	Specifies if a tape drive is enabled. 1 means enabled; 0 means disabled.
Evsn	varchar(255)	Y	N	Specifies external media ID of the tape drive.
HostGUID	integer	N	N	Specifies unique identifier for Master Server that is associated with tape drive.
InquiryInfo	varchar(255)	Y	N	Specifies the device information that is returned from the device. This information is used to identify the device. For example, vendor ID, product ID, and product revision.
IsControlUp	bit	N	N	Specifies if the control is Up.
LastCleanTime	bigint	Y	N	Specifies the last Clean Time of the tape drive.

Column Name	Data Type	Nulls	Primary Key	Description
LastCleanTime_offset	integer	Y	N	Specifies offset from GMT in seconds as per the Master Server-specific Timezone.
LastSeenTime	bigint	Y	N	Specifies the time when the drive was last seen.
LastSeenTime_offset	integer	Y	N	Specifies offset from GMT in seconds as per the Master Server-specific Timezone.
LocalControl	bit	N	N	Specifies if the drive has local control. 1 means the drive has local control; 0 means the drive does not have local control.
Lsm	integer	Y	N	Specifies the ACS Library Storage Module where this drive is located.
MediaDensityIdentifier	varchar(255)	Y	N	Specifies information about density of media like 4mm, 8mm2 and so on, as defined in lookup_DensityType.
MediaDensityOEMDensityName	varchar(255)	Y	N	Specifies information about density of media like 4mm - 4mm Cartridge, 8mm2 - 8mm Cartridge 2 and so on as defined in lookup_DensityType.
MediaFullName	varchar(255)	Y	N	Specifies full name of media types used in NetBackup, as defined in lookup_MediaType.
MediaIdentifier	varchar(255)	Y	N	Specifies identifier of media types used in NetBackup, as defined in lookup_MediaType.
MediaOEMMediaName	varchar(255)	Y	N	Specifies OEM media name of media types used in NetBackup, as defined in lookup_MediaType.
MediaOrdinalID	integer	N	N	Specifies IDs of media types used in NetBackup, as defined in lookup_MediaType.
MediaValidDriveTypeBitmap	varchar(255)	Y	N	Specifies valid drive type bitmap of media types used in NetBackup, as defined in lookup_MediaType.
MountedTime	bigint	Y	N	Specifies the time when the tape drive was mounted.
MountedTime_offset	integer	Y	N	Specifies offset from GMT in second of Master Server specific Timezone.
Ndmp	bit	N	N	Specifies if the drive is NDMP drive or not. 1 means NDMP drive; 0 means not an NDMP drive.
OccupyIndex	integer	Y	N	Specifies an index that was assigned to the drive during configuration.
OEMDriveName	varchar(255)	Y	N	Specifies different OEM drive name for drive type, as defined in lookup_DriveType.
OprComment	varchar(255)	Y	N	Specifies comments associated with a drive.
Panel	integer	Y	N	Specifies the ACS robot panel where this drive is located.
RDriveIdentifier	varchar(255)	Y	N	Specifies information about density type ID of media, as defined in lookup_DensityType.
Ready	bit	N	N	Specifies if the drive is ready. 1 means the drive is ready; 0 means the drive is not ready.
RequestId	varchar(255)	Y	N	Specifies a system-assigned number that identifies the request.
RobotDriveNumber	varchar(255)	Y	N	Specifies the library unique ID that is associated with the tape drive.
RobotFullName	varchar(255)	Y	N	Specifies the robot type full name, as defined in lookup_RobotType.
RobotIdentifier	varchar(255)	Y	N	Specifies the robot type identifier, as defined in lookup_RobotType.
RobotNumber	varchar(255)	Y	N	Specifies the library ID associated with the tape drive.
RobotOEMRobotName	varchar(255)	Y	N	Specifies the OEM media name of robot type, as defined in lookup_RobotType.

Column Name	Data Type	Nulls	Primary Key	Description
RobotOrdinalID	integer	N	N	Specifies the robot type ID, as defined in lookup_RobotType.
RobotType	integer	Y	N	Specifies the type of robot that contains this drive like TL4, ACS and so on, as defined in lookup_RobotType.
Rvsn	varchar(255)	Y	N	Specifies the recorded Media ID of the volume in the drive.
ScanHost	varchar(255)	Y	N	Specifies the name of the scan host for this drive.
SerialNumber	varchar(255)	Y	N	Specifies the serial number of the tape drive.
ServerName	long varchar	Y	N	Specifies the name of the NetBackup Master Server that is associated with the tape drive.
Shared	bit	N	N	Specifies if the tape drive is shared. 1 means the drive is shared; 0 means the drive is not shared.
TapeAlert1	integer	Y	N	Specifies tape alert, if any.
TapeAlert2	integer	Y	N	Specifies tape alert, if any
TotalTime	bigint	Y	N	Specifies the total mount time in hours.
TotalTime_offset	integer	Y	N	Specifies offset from GMT in seconds as per the Master Server-specific Timezone.
UserName	varchar(255)	Y	N	Specifies the user Name.
VendorDriveName	varchar(255)	Y	N	Specifies the vendor drive name.
VmHost	varchar(255)	Y	N	Specifies the name of the vmHost.
VolumeHeader	varchar(255)	Y	N	Specifies the volume header.
WorldWideId	varchar(255)	Y	N	Specifies the worldWideId.
WriteEnabled	bit	N	N	Specifies if the write is enabled on the tape drive. 1 means the write is enabled; 0 means the write is disabled.

nom_Driveusage

This database view provides the information about the drive usage.

Column Name	Data Type	Nulls	Primary Key	Description
DevicethroughputGUID	integer	N	N	Specifies the unique identifier for drive usage.
Driveid	varchar(523)	Y	N	Specifies the Master Server ID, Tape Drive Name, and Tape Drive Serial; separated by semicolons.
DriveIndex	integer	Y	N	Specifies the drive index that was assigned during configuration.
DriveName	varchar(255)	Y	N	Specifies the configured name of the drive.
Endtime	bigint	Y	N	Specifies the end time of the drive usage.
HostID	integer	N	N	Specifies unique identifier for the NetBackuo Master Server that is associated with the drive.
HostName	long varchar	Y	N	Specifies the name of the Master Server that is associated with drive.
JobID	varchar(56)	Y	N	Specifies the Master Server ID and Job ID; separated by semicolons.
Kbytes	double	Y	N	Specifies the data written on drive in kilobytes.
masterServerId	integer	N	N	Specifies the unique identifier for the Master Server that is associated with the drive.
MediaServer	varchar(255)	Y	N	Specifies the name of the vmHost.
StartTime	bigint	Y	N	Specifies the start time of the drive usage.
Storageunit	varchar(255)	Y	N	Specifies the name of the storage unit.
Throughput	double	Y	N	Specifies the throughput of the drive.

nom_JobAverages

This database view provides the information of average of file count, kilobytes and throughput for jobs.

Column Name	Data Type	Nulls	Primary Key	Description
avg_FileCount	double	Y	N	Specifies average file count for schedule, policy, client, and master server combination.
avg_kBytes	integer	Y	N	Specifies average data backup data for schedule, policy, client, and master server combination (in KB).
avg_Throughput	integer	Y	N	Specifies average throughput for schedule, policy, client, and master server combination (in KB/sec).
ClientName	long varchar	Y	N	Specifies name of the host that is being backed up as seen by a job.
HostGUID	integer	N	N	Specifies unique identifier for Master Server that is associated with a job.
PolicyName	varchar(255)	Y	N	Specifies name of the policy as seen by a job.
PolicyNameID	varchar(267)	Y	N	Specifies the Master Server ID and Policy Name; separated by a semicolon.
PolicyType	integer	Y	N	Specifies type of policy as seen by a job.
ScheduleName	varchar(255)	Y	N	Specifies name of a schedule, which resides within a policy as seen by a job.
ScheduleType	integer	Y	N	Specifies Schedule Type for a job.
ServerName	long varchar	Y	N	Specifies name of the Master Server that is associated with job.

nom_JobVariance

This database view provides the information of job variance.

Column Name	Data Type	Nulls	Primary Key	Description
AVG_FileCount	double	Y	N	Specifies average file count for schedule, policy, client, and master server combination.
AVG_kBytes	bigint	Y	N	Specifies average backup data for schedule, policy, client, and master server combination (in KB).
AVG_Throughput	double	Y	N	Specifies average throughput for schedule, policy, client, and master server combination (in KB/Sec).
ClientName	varchar(255)	N	N	Specifies name of a host that is being backed up as seen by a job.
EndTime	bigint	Y	N	Specifies date and time when the job is ended, which is measured in 100's of nanoseconds since the beginning of the Gregorian epoch.
EndTime_offset	integer	Y	N	Specifies offset from GMT in seconds as per the Master Server-specific Timezone.
FileCount	bigint	Y	N	Specifies number of files that are backed up during a job.
FileCountDiff	double	Y	N	Specifies difference between file count and average file count.
HostGUID	integer	N	N	Specifies unique identifier for Master Server that is associated with job.
JobGUID	varchar(56)	Y	N	Specifies the Master Server ID and Job ID separated by a semicolon.
JobID	numeric(42,0)	N	N	Specifies unique number for each job.
kBytes	bigint	Y	N	Specifies amount in bytes that a job transferred from client to media server for backing up (in kilobytes).
kBytesDiff	double	Y	N	Specifies difference between kilobytes and average kilobytes.
PolicyName	varchar(255)	Y	N	Specifies name of the policy as seen by a job.
PolicyNameID	varchar(267)	Y	N	Specifies the Master Server ID and Policy ID; separated by a semicolon.
PolicyType	integer	Y	N	Specifies type of policy as seen by a job.
ScheduleName	varchar(255)	Y	N	Specifies name of a schedule, which resides within a policy as seen by a job.
ScheduleType	integer	Y	N	Specifies Schedule Type for the job.
ServerName	long varchar	Y	N	Specifies name for Master Server that is associated with job.
StartTime	bigint	Y	N	Specifies date and time when a job is started, which is measured in 100s of nanoseconds since the beginning of the Gregorian epoch.
StartTime_offset	integer	Y	N	Specifies offset from GMT in seconds as per the Master Server-specific Timezone.
Throughput	integer	Y	N	Specifies the speed of a backup job in KB/Sec. This is the speed of the overall job, which considers the transfer time from client to media server and media server to disk or tape storage. It is not just the speed of a tape drive.
ThroughputDiff	double	Y	N	Specifies the difference between throughput and average throughput.

nom_NBClientNotBackedUp30Day

This database view provides the information about the client that is not backed up in the last 30 days.

Column Name	Data Type	Nulls	Primary Key	Description
ClientHardware	integer	Y	N	This attribute contains information about client hardware.
ClientName	varchar(255)	N	N	This attribute contains the client name.
ClientOS	varchar(255)	N	N	This attribute contains information about client operating system type.
HostGUID	integer	N	N	Specifies unique identifier of the Master Server that is associated with policy.
PolicyName	varchar(255)	N	N	Specifies the Policy Name.
PolicyNameID	varchar(267)	Y	N	Specifies the Master Server ID and Policy Name; separated by a semicolon.
ScheduleName	varchar(255)	N	N	This attribute represents the name of the schedule.
ServerName	long varchar	Y	N	Specifies the name of the Master Server that is associated with policy.

nom_NBClientNotBackedUp7Day

This database view provides the information about the client that is not backed up in the last seven days.

Column Name	Data Type	Nulls	Primary Key	Description
ClientHardware	integer	Y	N	This attribute contains information about client hardware.
ClientName	varchar(255)	N	N	This attribute contains the client name.
ClientOS	varchar(255)	N	N	This attribute contains information about client operating system type.
HostGUID	integer	N	N	Specifies unique identifier of the Master Server that is associated with policy.
PolicyName	varchar(255)	N	N	Specifies the Policy Name.
PolicyNameID	varchar(267)	Y	N	Specifies the Master Server ID and Policy Name; separated by a semicolon.
ScheduleName	varchar(255)	N	N	This attribute represents the name of the schedule.
ServerName	long varchar	Y	N	Specifies the name of the Master Server that is associated with policy.

nom_NBColdCatalogBackup

This database view provides the information about the cold catalog backup.

Column Name	Data Type	Nulls	Primary Key	Description
BackupDate	bigint	N	N	Specifies the date when the backup was taken.
BackupDate_offset	integer	Y	N	Specifies offset from GMT in seconds as per the Master Server-specific Timezone.
BackupMedia	varchar(255)	N	N	Specifies media on which the backup was taken.
HostGUID	integer	N	N	Specifies unique identifier for the Master Server that is associated with a catalog.
ServerName	long varchar	Y	N	Specifies name of the Master Server that is associated with a tape drive.

nom_NBJob

This database view provides the information about the job.

Column Name	Data Type	Nulls	Primary Key	Description
ActiveStartTime	bigint	Y	N	Specifies the time when the job state is changed to active from queued.
AttemptNumber	integer	Y	N	Specifies number of times a job had to be attempted before being successful or reaching the maximum allowable number of retries.
ClientId	integer	Y	N	Specifies unique identifier of the host that is being backed up.
ClientName	long varchar	Y	N	Specifies name of a host that is being backed up as seen by a job.
Compression	integer	Y	N	A flag that shows if the job compressed the data on client.
ControlHost	varchar(255)	Y	N	Specifies host, which has this job process running.
DstMediaID	varchar(255)	Y	N	Specifies NetBackup-generated ID of the media on which the job is being written.
DstStorageUnit	varchar(255)	Y	N	Specifies storage unit name on which the job is being written.
ElapsedTime	integer	Y	N	Specifies total time taken by job. This is the difference between the start time and end time, which is measured in 100s of nanoseconds since the beginning of the Gregorian epoch.
EndTime	bigint	Y	N	Specifies date and time when the job is ended, which is measured in 100s of nanoseconds since the beginning of the Gregorian epoch.
EndTime_offset	integer	Y	N	Specifies offset from GMT in seconds as per the Master Server-specific Timezone.
ExitStatus	bigint	Y	N	Specifies exit code for a particular job.
FileCount	double	Y	N	Specifies number of files that are backed up during a job.
FrozenImage	integer	Y	N	Specifies binary flag to show if it is a snapshot job or not.
GroupID	varchar(255)	Y	N	Specifies unique identifier of the first job, which spawned this collection of multistream backups, the value is zero for non-multistream backups.
HostGUID	integer	N	N	Specifies unique identifier for Master Server that is associated with job.
ImageID	varchar(255)	Y	N	Specifies image ID (clientname_timestamp) created by the job.
IsClientVirtual	integer	Y	N	Specifies if client is virtual client or not. 1 specifies client is virtual client.
JobDefinitionName	varchar(255)	Y	N	Specifies name of the Policy which created this job.
JobGUID	varchar(56)	Y	N	Specifies the semi column separated value of Master Server ID and Job ID.
JobID	numeric(42,0)	N	N	Specifies unique number for each job.
JobState	integer	Y	N	Specifies state ID of the job.
JobStateName	varchar(255)	Y	N	Specifies state of the job (Queued, Completed, Running and so on). as define in lookup_jobState.
JobType	integer	Y	N	Specifies type of operation done by the backup product.
kBytes	double	Y	N	Specifies amount in bytes that a job transferred from client to media server for backing up (in kilobytes).

Column Name	Data Type	Nulls	Primary Key	Description
masterServerId	integer	N	N	Specifies unique identifier for Master Server associated with job.
MasterServerName	varchar(255)	Y	N	Specifies friendly name for Master Server associated with job.
MediaServerId	integer	Y	N	Specifies unique identifier for Media Server associated with job.
MediaServerName	long varchar	Y	N	Specifies name for Media Server associated with job.
NBUVersion	varchar(255)	Y	N	Specifies version of NetBackup installed in text of Master Server associated with job.
NumTapesToEject	integer	Y	N	Specifies number of tapes to be ejected from a Robot into a vault, based on a Profile.
OSDescription	varchar(255)	Y	N	Specifies name of the Operating System installed on the Master Server associated with job.
Owner	varchar(255)	Y	N	Specifies user name under which the job processes ran.
ParentJobID	numeric(42,0)	Y	N	Specifies identifier of the parent job in case of multistream backups.
PercentComplete	integer	Y	N	Specifies (estimated) percentage of the job that is complete.
PolicyActive	smallint	Y	N	Specifies if this policy is still active.
PolicyId	integer	Y	N	Specifies unique identifier of the policy associated with job.
PolicyName	varchar(255)	Y	N	Specifies name of the policy as seen by a job.
PolicyNameID	varchar(267)	Y	N	Specifies the semi column separated value of Master Server ID and Policy ID.
PolicyType	integer	Y	N	Specifies type of policy as seen by a job.
Priority	integer	Y	N	Specifies job's priority as it competes with other jobs for backup resources. Range: 0 to 99999. Higher number means higher priority.
ProductName	varchar(255)	Y	N	Specifies name of the Product of the Master Server associated with job.
ProfileName	varchar(255)	Y	N	Specifies name of Profile, from the Robot-Vault-Profile combination. This is like a policy for a vault job.
Retention	integer	Y	N	Specifies retention level of the job. Refer to nb_RetentionLevel for the associated retention period.
RobotName	varchar(255)	Y	N	Specifies name of a Robot, from the Robot-Vault-Profile combination.
ScheduleName	varchar(255)	Y	N	Specifies name of a schedule which resides within a policy as seen by a job.
ScheduleType	integer	Y	N	Specifies Schedule Type for the job.
ServerName	long varchar	Y	N	Specifies name for Master Server associated with job.
SessionID	integer	Y	N	Specifies vault session ID, this is like a jobid for vault jobs.
SourceMediaServerId	integer	Y	N	Specifies unique identifier of the media server from where data for duplication is read.
SourceMediaServerName	long varchar	Y	N	Specifies name of the media server from where data for duplication is read.
SrcMediaID	varchar(255)	Y	N	Specifies unique identifier of the media from which the job is reading the image (for duplication).
StartTime	bigint	Y	N	Specifies date and time when job is started. (Which is measured in 100's of nanoseconds since the beginning of the Gregorian epoch.)

Column Name	Data Type	Nulls	Primary Key	Description
StartTime_offset	integer	Y	N	Specifies offset from GMT in second of Master Server specific Timezone.
StorageUnit	varchar(255)	Y	N	Specifies type of storage unit used and seen by a job.
TapeCopyNumber	integer	Y	N	Specifies copy Number of image, used for Inline tape copy.
Throughput	bigint	Y	N	Specifies the speed of a backup job in KB/sec. This is the speed of the overall job which takes in to account transfer time from client to media server and media server to disk or tape storage. It is not just the speed of a tape drive.
VaultName	varchar(255)	Y	N	Specifies name of a Vault, from the Robot-Vault-Profile combination.

nom_NBJobAttempt

This database view provides the information about the NetBackup job attempt.

Column Name	Data Type	Nulls	Primary Key	Description
ActiveStartTime	bigint	Y	N	Specifies the time when the job turn active from queued.
AttemptNumber	integer	N	N	Specifies number of times a job had to be attempted before being successful or reaching the maximum allowable number of retries.
ClientId	integer	Y	N	Specifies unique identifier of the host being backed up.
ClientName	long varchar	Y	N	Specifies name of a host being backed up as seen by a job.
Compression	integer	Y	N	A Flag that shows if the job compressed the data on client.
ControlHost	varchar(255)	Y	N	Specifies host which has this job process running.
DstMediaID	varchar(255)	Y	N	Specifies NetBackup generated MediaID of media on which the job is being written.
ElapsedTime	integer	Y	N	Specifies total time taken by job. This is difference between start time and end time. (Which is measured in 100's of nanoseconds since the beginning of the Gregorian epoch.)
EndTime	bigint	Y	N	Specifies date and time when job is ended. (Which is measured in 100's of nanoseconds since the beginning of the Gregorian epoch.)
EndTime_offset	integer	Y	N	Specifies offset from GMT in second of Master Server specific Timezone.
ExitStatus	bigint	Y	N	Specifies exit code for a particular job.
FileCount	double	Y	N	Specifies number of files a backed up during a job.
FrozenImage	integer	Y	N	Specifies binary flag to show if its a shapshot job or not.
GroupID	varchar(255)	Y	N	Specifies unique identifier of the first job which spawned this collection of multistream backups, the value is zero for non-multistream backups.
HostGUID	integer	N	N	Specifies unique identifier for Master Server associated with job.
ImageID	varchar(255)	Y	N	Specifies image id (clientname_timestamp) created by the job.
JobDefinitionName	varchar(255)	Y	N	Specifies name of the Policy which created this job.
JobGUID	varchar(56)	Y	N	Specifies the semi column separated value of Master Server Id and Job Id.
JobID	numeric(42,0)	N	N	Specifies unique number for each job.
JobState	integer	Y	N	Specifies state id of the job.
JobType	integer	Y	N	Specifies type of operation done by the backup product.
kBytes	bigint	Y	N	Specifies amount in bytes that a job transferred from client to media server for backing up.
MediaServerName	long varchar	Y	N	Specifies name for Media Server associated with job.
NBUVersion	varchar(255)	Y	N	Specifies version of NetBackup installed in text of Master Server associated with job.
NumTapesToEject	integer	Y	N	Specifies number of tapes to be ejected from a Robot into a vault, based on a Profile.
OSDescription	varchar(255)	Y	N	Specifies name of the Operating System installed on the Master Server associated with job.
Owner	varchar(255)	Y	N	Specifies user name under which the job processes ran.

Column Name	Data Type	Nulls	Primary Key	Description
ParentJobID	numeric(42,0)	Y	N	Specifies identifier of the parent job in case of multistream backups.
PercentComplete	integer	Y	N	Specifies (estimated) percentage of the job that is complete.
PolicyId	integer	Y	N	Specifies unique identifier of the policy associated with job.
PolicyName	varchar(255)	Y	N	Specifies name of the policy as seen by a job.
PolicyNameID	varchar(267)	Y	N	Specifies the semi column separated value of Master Server Id and Policy Id.
PolicyType	integer	Y	N	Specifies type of policy as seen by a job.
Priority	integer	Y	N	Specifies job's priority as it competes with other jobs for backup resources. Range: 0 to 99999. Higher number means higher priority.
ProductName	varchar(255)	Y	N	Specifies name of the Product of the Master Server associated with job.
ProfileName	varchar(255)	Y	N	Specifies name of Profile, from the Robot-Vault-Profile combination. This is like a policy for a vault job.
Retention	integer	Y	N	Specifies retention level of the job. Refer to nb_RetentionLevel for the associated retention period.
RobotName	varchar(255)	Y	N	Specifies name of a Robot, from the Robot-Vault-Profile combination.
ScheduleName	varchar(255)	Y	N	Specifies name of a schedule which resides within a policy as seen by a job.
ScheduleType	integer	Y	N	Specifies Schedule Type for the job.
ServerName	long varchar	Y	N	Specifies name for Master Server associated with job.
SessionID	integer	Y	N	Specifies vault session id, this is like a jobid for vault jobs.
SourceMediaServer	long varchar	Y	N	Specifies unique identifier of the media server from where data for duplication is read.
SourceStorageUnit	varchar(255)	Y	N	Specifies storage unit name from which the the job is reading the image.
SrcMediaID	varchar(255)	Y	N	Specifies unique identifier of the media from which the job is reading the image (for duplication).
StartTime	bigint	Y	N	Specifies date and time when job is started. (Which is measured in 100's of nanoseconds since the beginning of the Gregorian epoch.)
StartTime_offset	integer	Y	N	Specifies offset from GMT in second of Master Server specific Timezone.
StorageUnit	varchar(255)	Y	N	Specifies type of storage unit used and seen by a job.
TapeCopyNumber	integer	Y	N	Specifies copy Number of image, used for Inline tape copy.
Throughput	bigint	Y	N	Specifies the speed of a backup job in Kbytes/sec. This is the speed of the overall job which takes in to account transfer time from client to media server and media server to disk or tape storage. It is not just the speed of a tape drive.
VaultName	varchar(255)	Y	N	Specifies name of a Vault, from the Robot-Vault-Profile combination.

nom_NBJobAttemptPassRate

This database view provides the information about success and failure of the NetBackup job attempt.

Column Name	Data Type	Nulls	Primary Key	Description
ClientId	integer	Y	N	Specifies unique identifier of the host that is being backed up.
ClientName	long varchar	Y	N	Specifies name of a host that is being backed up as seen by a job.
CountFail	integer	Y	N	Specifies the count of failed job.
CountPartial	integer	Y	N	Specifies the count of partial successful job.
CountSuccess	integer	N	N	Specifies the count of successful job.
CountTotal	integer	Y	N	Specifies the count of total job.
HostGUID	integer	N	N	Specifies unique identifier for Master Server that is associated with job.
PolicyType	integer	Y	N	Specifies type of policy as seen by a job.
Rate	double	Y	N	Specifies the percentage of successful Vs total jobs.
ServerName	long varchar	Y	N	Specifies name for Master Server that is associated with job.

nom_NBJobClient

This database view provides the information about the relation between the NetBackup job and client.

Column Name	Data Type	Nulls	Primary Key	Description
ClientId	integer	Y	N	Specifies unique identifier of the host that is being backed up.
ClientName	long varchar	Y	N	Specifies name of a host that is being backed up as seen by a job.
HostGUID	integer	N	N	Specifies unique identifier for Master Server that is associated with job.
ServerName	long varchar	Y	N	Specifies name for Master Server that is associated with job.

nom_NBJobPassRate

This database view provides the information about success and failure of the NetBackup job.

Column Name	Data Type	Nulls	Primary Key	Description
ClientId	integer	Y	N	Specifies unique identifier of the host that is being backed up.
ClientName	long varchar	Y	N	Specifies name of a host that is being backed up as seen by a job.
CountFail	integer	Y	N	Specifies the count of failed jobs.
CountPartial	integer	Y	N	Specifies the count of partial successful jobs.
CountSuccess	integer	Y	N	Specifies the count of successful jobs.
CountTotal	integer	N	N	Specifies the count of total jobs.
HostGUID	integer	N	N	Specifies unique identifier for Master Server that is associated with job.
PolicyType	integer	Y	N	Specifies type of policy as seen by a job.
policyTypeName	varchar(255)	Y	N	Specifies name of policy type as seen by a job.
Rate	double	Y	N	Specifies the percentage of successful Vs total jobs.
ServerName	long varchar	Y	N	Specifies name for Master Server that is associated with job.

nom_NBJobVariance

This database view provides the information about the NetBackup job variance.

Column Name	Data Type	Nulls	Primary Key	Description
ClientId	integer	Y	N	Specifies unique identifier of the host that is being backed up.
ClientName	long varchar	Y	N	Specifies name of a host that is being backed up as seen by a job.
ElapsedTime	double	Y	N	Specifies total time taken by job. This is the difference between start time and end time, which is measured in 100s of nanoseconds since the beginning of the Gregorian epoch.
EndTime	bigint	Y	N	Specifies date and time when job is ended, which is measured in 100s of nanoseconds since the beginning of the Gregorian epoch.
FileCount	double	Y	N	Specifies number of files that are backed up during a job.
HostGUID	integer	N	N	Specifies unique identifier for Master Server that is associated with job.
JobID	numeric(42,0)	N	N	Specifies unique number for each job.
Mbytes	double	Y	N	Specifies amount in bytes that a job transferred from client to media server for backing up (in Megabytes).
PolicyName	varchar(255)	Y	N	Specifies name of the policy as seen by a job.
PolicyScheduleName	varchar(255)	Y	N	Specifies name of a schedule, which resides within a policy as seen by a job.
StartTime	bigint	Y	N	Specifies date and time when the job is started, which is measured in 100s of nanoseconds since the beginning of the Gregorian epoch.
Throughput	bigint	Y	N	Specifies the speed of a backup job in KB/Sec. This is the speed of the overall job, which considers the transfer time from client to media server and media server to disk or tape storage. It is not just the speed of a tape drive.

nom_NBMedia

This database view provides the information about the Media.

Column Name	Data Type	Nulls	Primary Key	Description
AllocatedDate	bigint	Y	N	This attribute specifies the date and time when a piece of media was first allocated or had its first backup written to it. Once the media expires, it will have a new allocation of date and time when it is reused.
AllocatedDate_offset	integer	Y	N	Specifies offset from GMT in second as per the Master Server-specific Timezone.
Barcode	varchar(1000)	Y	N	This attribute represents the full barcode as read by the physical robot and is used by NetBackup to ensure that the robot loads the correct volume.
Density	integer	Y	N	This attribute specifies the type of tape media as defined by the backup application. For NetBackup, this is also called the 'density' and specifies with what drive types the tape can be used.
ExpirationDate	bigint	Y	N	This attribute specifies the expiration time of the media so that it gets assigned back to pool for reuse.
ExpirationDate_offset	integer	Y	N	Specifies offset from GMT in seconds as per the Master Server-specific Timezone.
FriendlyServerName	varchar(255)	Y	N	Specifies display name of the Master Server that is associated with the media.
Fullname	varchar(255)	Y	N	Specifies full name of media types used in NetBackup, as defined in lookup_MediaType.
HeaderSize	bigint	Y	N	This attribute specifies the optical media header size of a backup image.
HostGUID	integer	N	N	Specifies unique identifier for Master Server that is associated with the media.
Identifier	varchar(255)	Y	N	Specifies information about density of media like 4mm, 8mm2 and so on, as defined in lookup_DensityType.
Imported	bit	N	N	A yes / no property to indicate if the backup media was imported. Imported media means that this particular backup domain did not originally write the data to the media. 1 (true) means that this backup media was imported and 0 (false) means this backup media was not imported.
KBytes	bigint	Y	N	This attribute specifies the total capacity of the tape in KB. Value per sample is either the total capacity if the media is active, else 0.
LastRestoreDate	bigint	Y	N	This attribute specifies the date and time when the backup media was last used to restore.
LastRestoreDate_offset	integer	Y	N	Specifies offset from GMT in seconds as per the Master Server-specific Timezone.
LastWrittenDate	bigint	Y	N	This attribute specifies a date and time when the backup media was last used for the writes.
LastWrittenDate_offset	integer	Y	N	Specifies offset from GMT in seconds as per the Master Server-specific Timezone.
LOffset	bigint	Y	N	This attribute specifies the logical block address of the beginning of the block where a backup image exists.
MediaID	long varchar	N	N	This attribute specifies a NetBackup ID that identifies the volume in six or fewer alphanumeric characters. NetBackup assigns the media ID when you add volumes or when you use a robot inventory to add volumes.

Column Name	Data Type	Nulls	Primary Key	Description
MediaName	long varchar	N	N	This attribute specifies a NetBackup ID that identifies the volume in six or fewer alphanumeric characters. NetBackup assigns the media ID when you add volumes or when you use a robot inventory to add volumes.
MediaStatus	varchar(255)	Y	N	This attribute specifies status of the media such as Active, Non Active, Suspended, Frozen and so on.
MediaType	integer	Y	N	This attribute specifies the type of tape library (TLD, ACS, 8MM, 4MM, TLM, TLH and so on).
MediaTypeName	varchar(255)	Y	N	Specifies OEM media name of media types used in NetBackup, as defined in lookup_MediaType.
Multiplexed	bit	N	N	A yes / no property to indicate if multiplexing is allowed on a piece of tape media. Multiplexing means that multiple clients or jobs were backed up to one image so that a particular image could have more than one client inside it. A value of 1 (true) means multiplexing is allowed on this tape media and 0 (false) means no multiplexing is allowed on this tape media.
MultiRetention	bit	N	N	A yes / no property to indicate if a given piece of tape media will allow for multiple expiration dates. Multiple expiration dates signify that the whole tape cannot be reused until the last backup has expired on the media. A value of 1 (true) means that this tape media allows multiple expiration dates and 0 (false) means the tape media does not allow multiple expiration dates.
NImages	bigint	Y	N	This attribute specifies the number of backup images on a media.
NRestores	bigint	Y	N	This attribute specifies the number of times a given piece of backup media is used for restores.
NValidImages	bigint	Y	N	This attribute specifies the number of valid backup images on a media.
OEMMediaName	varchar(255)	Y	N	Specifies OEM media name of media types used in NetBackup, as defined in lookup_MediaType.
PartitionSize	bigint	Y	N	This attribute specifies the optical partition size in bytes of a media.
PartnerID	varchar(255)	Y	N	This attribute specifies the ID of the opposite side of a optical platter. If on side A of a platter this would show Side B.
ReservedOff1	integer	Y	N	This attribute specifies the reserved byte offset for future use.
ReservedOff2	integer	Y	N	This attribute specifies the reserved byte offset for future use.
RetentionLevel	integer	Y	N	This attribute specifies the retention level, which determines for how long to retain backups and archives. The retention_level is an integer between 0 and 24 (default level is 1).
RobotName	varchar(255)	Y	N	Specifies the OEM robot type, as defined in lookup_RobotType.
RobotNumber	varchar(255)	Y	N	Specifies the library ID associated with the media.
RobotType	integer	Y	N	Specifies the type of robot that contains this drive like TL4, ACS and so on, as defined in lookup_RobotType.
SectorSize	bigint	Y	N	This attribute specifies the optical media sector size of a backup image.
ServerName	long varchar	Y	N	Specifies name for Master Server that is associated with a media.
Slot	integer	Y	N	This attribute specifies the physical slot number where the given piece of media resides.

Column Name	Data Type	Nulls	Primary Key	Description
Version	integer	Y	N	This attribute specifies a version where version 1 denotes a DB backup Image and 2 denotes a regular backup image.
VmPool	integer	Y	N	This attribute specifies the volume pool ID, which automatically starts at 1 for the default pool "NetBackup". Things like Scratch Pools or onsite / offsite pools are typically used and they all have unique volume pool IDs.
Vol1	varchar(255)	Y	N	This attribute specifies a header, which contains vendor-specific metadata added by NetBackup that writes to a tape.
VolumeGroupName	varchar(255)	Y	N	This attribute specifies the name of the volume group for this volume.
VolumePoolName	varchar(255)	Y	N	This user-defined field is the name of the volume pool where this media resides.

nom_NBMediaFullTapeCap

This database view provides the information about the full media.

Column Name	Data Type	Nulls	Primary Key	Description
HostGUID	integer	N	N	Specifies the unique identifier for Master Server that is associated with a media.
KBytes	bigint	Y	N	Specifies the used space of the tape in KB.
MediaCount	integer	N	N	Specifies the count of full media.
MediaType	integer	Y	N	This attribute specifies the type of tape library (TLD, ACS, 8MM, 4MM, TLM, TLH and so on).
MediaTypeName	varchar(255)	Y	N	This attribute specifies the type of tape library (TLD, ACS, 8MM, 4MM, TLM, TLH and so on), as defined in lookup_MediaType.
NImages	double	Y	N	This attribute specifies the number of backup images on a given piece of media.
ServerName	long varchar	Y	N	Specifies the name of the Master Server that is associated with media.

nom_NBMediaState

This database view provides the information about the state media.

Column Name	Data Type	Nulls	Primary Key	Description
HostGUID	integer	N	N	Specifies unique identifier for Master Server that is associated with a media.
MediaStatus	varchar(255)	Y	N	Specifies status of the media, such as Active, Frozen and so on.
ServerName	long varchar	Y	N	Specifies name of the Master Server that is associated with media.
StatusCount	integer	N	N	Specifies count of the media status.

nom_NBMediaSummary

This database view provides the information about the media summary.

Column Name	Data Type	Nulls	Primary Key	Description
AssignedVolumeCount	integer	Y	N	Specifies the count of volumes assigned to this media.
FrozenCount	integer	Y	N	Specifies the count of frozen volumes for this media. A frozen volume is unavailable for future backups.
FullCount	integer	Y	N	Specifies the count of media that is full or close to capacity.
HostGUID	integer	N	N	Specifies unique identifier for the Master Server that is associated with media.
MediaServerGUID	varchar(267)	Y	N	Specifies the Media Server Name and Master Server ID; separated by semicolon.
MediaServerName	varchar(255)	Y	N	Specifies the name of the device host or virtual cluster.
MediaType	integer	Y	N	This attribute of media (ordinal) indicates the media by means of its order in the list.
MediaTypeName	varchar(255)	Y	N	Specifies OEM media name of media types that are used in NetBackup, as defined in lookup_MediaType.
MediaTypeOrdinal	integer	Y	N	This attribute of media (ordinal) indicates the media by means of its order in the list.
OffSiteCount	integer	Y	N	Specifies the count of medias at offsite location.
RobotNumber	varchar(255)	Y	N	Specifies a robot number, which is a unique, logical identification number for the robot where the volume is located.
ServerName	long varchar	Y	N	Specifies name for Master Server associated with media.
SummaryTime	bigint	Y	N	Specifies the date and time when the summary of the media was obtained.
SummaryTime_offset	integer	Y	N	Specifies offset from GMT in seconds as per the Master Server-specific Timezone.
SuspendedCount	integer	Y	N	This attribute specifies the count of medias that are suspended. The action of suspending is the same as freeze, except when the media ID expires, it is immediately unassigned in the NetBackup volume pool.
UnassignedVolumeCount	integer	Y	N	This attribute specifies the count of volumes that are not assigned for the media.

nom_NBPolicy

This database view provides the information about the NetBackup Policy.

Column Name	Data Type	Nulls	Primary Key	Description
Active	bit	N	N	This attribute represents whether the policy is active or inactive.
AltClientName	long varchar	Y	N	This attribute represents the name of the alternate client, which handles the backup processing and saves resources on the primary client.
BackupCopy	integer	Y	N	This attribute indicates the copy number.
BlockIncrement	bit	N	N	This attribute indicates whether NetBackup offers instant recovery of files from block-level increment backups.
Calendar	integer	Y	N	Calendar-based schedules allow administrators to select specific days to run a policy.
CheckpointInterval	integer	Y	N	This attribute indicates how often NetBackup takes a checkpoint during a backup.
ClassID	long varchar	Y	N	This attribute contains GUID of data classification type.
ClientCompress	bit	N	N	This attribute indicates whether the compression is enabled or not.
ClientEncrypt	integer	Y	N	This attribute contains information about the encryption type.
ClientHardware	integer	Y	N	This attribute contains information about the client hardware.
ClientHostname	varchar(255)	N	N	This attribute contains the client name.
ClientOS	varchar(255)	N	N	This attribute contains information about the client operating system type.
CollectBMRInfo	bit	N	N	This attribute specifies whether the BMR client agent runs on each client.
CollectTIRInfo	integer	Y	N	This attribute specifies the type of True Image Restore that is Yes, No, or Yes with Move Detection.
Copies	long varchar	Y	N	This attribute represents the total number of copies.
CrossMountPoints	bit	N	N	This attribute controls whether NetBackup crosses file system boundaries to back up or archive all files and directories in the selected path.
DataMoverType	integer	Y	N	This attribute specifies the type of data mover that should be used in case of off-host backup.
DataMoverTypeNam e	varchar(255)	Y	N	This attribute specifies the type name of data mover that should be used in case of off-host backup, as defined in lookup_DataMoverType.
DisasterRecovery	bit	N	N	This attribute specifies whether the BMR client agent runs on each client.
EffectiveDate	bigint	Y	N	The effectivedate attribute specifies when the policy can begin to schedule backups.
EffectiveDate_offset	integer	Y	N	This attribute specifies offset from GMT in seconds as per the Master Server-specific Timezone.
FastRecovery	bit	N	N	This attribute indicates whether fast recovery is enabled or not.
FileList	long varchar	Y	N	This attribute contains information about the paths, directives, scripts, and the templates that specify which files and directories are backed up on each client.
FileListCount	integer	Y	N	This attribute represents the number of files to backup.

Column Name	Data Type	Nulls	Primary Key	Description
FollowNFSMounts	bit	N	N	This attribute specifies whether NetBackup is going to back up or archive any NFS-mounted files.
Frequency	bigint	Y	N	This attribute specifies how much time must elapse between the successful completion of a scheduled task and the next attempt.
FrozenImage	integer	Y	N	This attribute specifies if the snapshot is retained on the client system by NetBackup.
HostGUID	integer	N	N	Specifies unique identifier for the Master Server that is associated with policy.
lfrfr	bit	N	N	This attribute indicates whether Individual File Restore from Raw is enabled or not.
Keyword	long varchar	Y	N	This attribute is a phrase that NetBackup associates with all backups or archives, based on the policy.
MaxJobsPerClass	integer	Y	N	This attribute limits the number of jobs that NetBackup performs concurrently when the policy is run.
MaxMPX	integer	Y	N	This attribute represents maximum streams per drive.
ModifiedBy	varchar(255)	Y	N	This attribute represents, which user has modified policy.
OffHostBackup	bit	N	N	This attribute specifies whether to perform off-host backup or not. Off-host backup shifts the burden of the backup process onto a separate backup agent, reducing backup impact on the clients resources.
PFIEEnabled	bit	N	N	This attribute indicates whether backup policy is configured with retain snapshots for instant recovery.
PolicyFailOnError	integer	Y	N	This attribute indicates whether backup job should fail or retry on error.
PolicyID	varchar(535)	Y	N	Specifies the Master Server ID, Policy Name, Policy Domain Name, and Policy Version; separated with semicolons.
PolicyMaxFragSize	integer	Y	N	This attribute represents the maximum fragment size.
PolicyName	varchar(255)	N	N	Specifies the policy name.
PolicyNameID	varchar(267)	Y	N	Specifies the Master Server ID and policy name; separated with a semicolon.
PolicyNumberOfCopies	integer	Y	N	This specifies the total number of backup copies that may exist in the NetBackup catalog (2 through 10).
PolicyPriority	integer	Y	N	The Job priority attribute specifies the priority of the policy, as it competes with other policies for resources.
PolicyStatus	integer	Y	N	This attribute represents status ID of policy, as defined in lookup_PolicyStatus.
PolicyStatusName	varchar(255)	Y	N	This attribute represents status name of policy that is active, retired and so on, as defined in lookup_PolicyStatus.
PolicyType	integer	Y	N	This attribute determines policy type ID, as defined in lookup_PolicyType.
PolicyTypeName	varchar(255)	Y	N	This attribute determines policy type name, as defined in lookup_PolicyType.
Pool	varchar(255)	Y	N	This attribute specifies the default volume pool where the backups for the policy are stored.
ProxyClient	long varchar	Y	N	This attribute contains name of the proxy client.
Retirement	bigint	Y	N	This attribute represents policy retirement.
Retirement_offset	integer	Y	N	This attribute specifies offset from GMT in seconds as per the Master Server-specific Timezone.

Column Name	Data Type	Nulls	Primary Key	Description
ScheduleFailOnError	integer	Y	N	This attribute represents whether the backup job should fail or retry on error.
ScheduleMaxFragSize	integer	Y	N	This attribute represents maximum fragment size that can be used for writing image.
ScheduleName	varchar(255)	N	N	This attribute represents the name of the schedule.
ScheduleNumberOfCopies	integer	Y	N	This property specifies the total number of backup copies that may exist in the NetBackup catalog (2 through 10).
SchedulePriority	integer	Y	N	The priority attribute specifies the priority of the policy, as it competes with other policies for resources.
ScheduleType	integer	Y	N	This attribute specifies the type ID of backup that the schedule controls, as defined in lookup_ScheduleType.
ScheduleTypeName	varchar(255)	Y	N	This attribute specifies the type name of backup that the schedule controls, as defined in lookup_ScheduleType.
ServerName	long varchar	Y	N	Specifies name of the Master Server that is associated with the policy.
SnapshotMethod	long varchar	Y	N	This attribute specifies which snapshot method to use that is auto, FlashSnap, Hyper-V and so on.
SnapshotMethodArgs	long varchar	Y	N	This attribute contains information about configuration parameters of the selected snapshot method.
Streaming	bit	N	N	This attribute specifies whether NetBackup can divide automatic backups for each client into multiple jobs.
Synthetic	bit	N	N	This attribute represents whether it is a synthetic backup.
UseAltClient	bit	N	N	This attribute indicates whether to use alternate client for backup processing or not.
UseDataMover	bit	N	N	This attribute indicates whether the data mover option is enabled or not, in case of off-host backup.

nom_NBPolicyChange

This database view provides the information about the change in policy.

Column Name	Data Type	Nulls	Primary Key	Description
HostGUID	integer	N	N	Specifies unique identifier for the Master Server that is associated with the policy.
PolicyId	integer	Y	N	Specifies unique ID of the policy object from the domain_Entity table.
PolicyName	varchar(255)	N	N	Specifies name of the policy.
PolicyNameID	varchar(267)	Y	N	Specifies the Master Server ID and policy name; separated by a semicolon.
Retirement	bigint	Y	N	Specifies the policy retirement.
Retirement_offset	integer	Y	N	Specifies offset from GMT in second as per the Master Server-specific Timezone.
ServerName	long varchar	Y	N	Specifies name of the Master Server that is associated with the policy.

nom_NBPolicyClient

This database view provides the information about the association between the NetBackup policy and client.

Column Name	Data Type	Nulls	Primary Key	Description
ClientId	integer	N	N	Specifies ID of the client object from the domain_Entity table.
ClientName	varchar(255)	N	N	Specifies name of the client that is present in policy.
HostGUID	integer	N	N	Specifies unique identifier for the Master Server that is associated with the policy.
ServerName	long varchar	Y	N	Specifies name for Master Server that is associated with the policy.

nom_NBVolume

This database view provides the information about the NetBackup volume.

Column Name	Data Type	Nulls	Primary Key	Description
Barcode	varchar(1000)	Y	N	Specifies the full barcode as read by the physical robot and is used by NetBackup to ensure that the robot loads the correct volume.
CleaningsRemaining	integer	Y	N	Specifies as to how many times more the cleaning media can be used.
Created	bigint	Y	N	Specifies the date and time when this media was created on.
Created_offset	integer	Y	N	Specifies offset from GMT in seconds as per the Master Server-specific Timezone.
DateVaulted	bigint	Y	N	Specifies the date and time when the media was sent to offsite storage representing a unix timestamp.
DateVaulted_offset	integer	Y	N	Specifies offset from GMT in seconds as per the Master Server-specific Timezone.
Description	long varchar	Y	N	Specifies the media description for the volume.
FirstMount	bigint	Y	N	Specifies the date and time when the media was first mounted, representing a UNIX timestamp.
FirstMount_offset	integer	Y	N	Specifies offset from GMT in seconds as per the Master Server-specific Timezone.
FriendlyServerName	varchar(255)	Y	N	Specifies display name of Master Server that is associated with the media.
HostGUID	integer	N	N	Specifies Unique identifier for the Master Server that is associated with the media.
LastMount	bigint	Y	N	Specifies the date and time when the media was last mounted, representing a UNIX timestamp.
LastMount_offset	integer	Y	N	Specifies offset from GMT in seconds as per the Master Server-specific Timezone.
MaxMounts	integer	Y	N	Specifies maximum number of mounts that are allowed for this volume. Zero (default) is the same as unlimited.
MediaID	long varchar	N	N	Specifies a NetBackup ID that identifies the volume in six or fewer alphanumeric characters. NetBackup assigns the media ID when you add volumes or when you use a robot inventory to add volumes.
MediaServerId	integer	Y	N	Specifies the unique identifier for the Media Server.
MediaServerName	long varchar	Y	N	Specifies the name of the device host or virtual cluster.
MediaStatus	integer	Y	N	Specifies status of the media, such as Active, Non Active, Suspended, Frozen and so on.
MediaStatusDisplay	varchar(255)	Y	N	Specifies status of the media, such as Active, Non Active, Suspended, Frozen and so on, as defined in lookup_MediaStatus.
MediaTypeOrdinal	integer	Y	N	Specifies the media type of the volume.
MediaTypeOrdinalName	varchar(255)	Y	N	Specifies OEM media name of media types used in NetBackup, as defined in lookup_MediaType.
Mounts	integer	Y	N	Specifies number of times this volume is mounted.
Partner	varchar(255)	Y	N	Specifies the ID of the opposite side of a optical platter. If on side A of a platter, this would show Side B.
ReturnDate	bigint	Y	N	Specifies the date and time the media was returned from offsite, representing a unix timestamp.

Column Name	Data Type	Nulls	Primary Key	Description
ReturnDate_offset	integer	Y	N	Specifies offset from GMT in seconds as per the Master Server-specific Timezone.
RobotControlHost	varchar(255)	Y	N	Specifies the name of the host that controls the robot, where the volume is located.
RobotFullName	varchar(255)	Y	N	Specifies the full name of robot type, as defined in lookup_RobotType.
RobotID	integer	Y	N	Specifies the type of tape library (TLD, ACS, 8MM, 4MM, TLM, TLH and so on).
RobotIdentifier	varchar(255)	Y	N	Specifies the identifier of robot type, as defined in lookup_RobotType.
RobotNumber	varchar(255)	Y	N	Specifies ID of the library where the media resides.
ServerName	long varchar	Y	N	Specifies name for Master Server that is associated with media.
SessionID	bigint	Y	N	Specifies the ID of a vault session.
SideOrFace	varchar(255)	Y	N	This attribute represents the sideFace of a volume of a media.
TimeAssigned	bigint	Y	N	This attribute specifies the date and time when a piece of media was first allocated or had its first backup written to it. Once the media expires, it has a new allocation of date and time when it is reused.
TimeAssigned_offset	integer	Y	N	Specifies offset from GMT in seconds as per the Master Server-specific Timezone.
VaultContainer	varchar(255)	Y	N	This attribute represents a vaultContainerId for the vault container that stores the volumes, a string of upto 29 alphanumeric characters.
VolumeGroup	varchar(255)	Y	N	This attribute specifies the name of the volume group for this volume.
VolumePoolName	varchar(255)	Y	N	This user-defined field is the name of the volume pool where the media is placed.
VolumePoolNumber	integer	Y	N	This attribute specifies the volume pool ID which automatically starts at 1 for the default pool "NetBackup". Things like Scratch Pools or onsite / offsite pools are typically used and they all have unique volume pool IDs.
VolumeSlot	varchar(11)	Y	N	This attribute specifies the physical slot number where the given piece of media resides.

nom_Robot

This database view provides the information about the robot.

Column Name	Data Type	Nulls	Primary Key	Description
AsciiName	varchar(255)	Y	N	Specifies ASCII name of robotic device.
ControlHost	varchar(255)	Y	N	Specifies the host that controls robot.
DaHost	varchar(255)	Y	N	Specifies name of the device host to which this robot is attached.
DensityIdentifier	varchar(255)	Y	N	Specifies information about density of media like 4mm, 8mm2 and so on, as defined in lookup_DensityType.
DensityOEMName	varchar(255)	Y	N	Specifies information about density of media like 4mm - 4mm Cartridge, 8mm2 - 8mm Cartridge 2 and so on, as defined in lookup_DensityType.
HostGUID	integer	N	N	Specifies unique identifier for the Master Server that is associated with Robot.
InquiryInfo	varchar(255)	Y	N	Specifies SCSI inquiry information.
LastSeenTime	bigint	Y	N	Specifies the most recent time when NetBackup used the volume for backups.
LastSeenTime_offset	integer	Y	N	Specifies offset from GMT in second as per the Master Server-specific Timezone.
MaxDrive	integer	Y	N	Specifies maximum drive to which this robot is connected.
MaxSlot	integer	Y	N	Specifies maximum slots that the device has.
MediaIdentifier	varchar(255)	Y	N	Specifies identifier of media types used in NetBackup, as defined in lookup_MediaType.
MediaOEMName	varchar(255)	Y	N	Specifies the OEM media name of robot type, as defined in lookup_MediaType.
MediaType	integer	Y	N	Specifies the default media name of robot type, as defined in lookup_RobotType.
MediaTypeName	varchar(255)	Y	N	Specifies the oem media name of robot type, as defined in lookup_MediaType.
RobotIdentifier	varchar(255)	Y	N	Specifies the identifier of robot type, as defined in lookup_RobotType.
RobotNumber	varchar(255)	N	N	Specifies a unique, logical identification number for the robot where the volume is located.
RobotOEMName	varchar(255)	Y	N	Specifies the OEM media name of robot type, as defined in lookup_RobotType.
RobotType	integer	Y	N	Specifies the type ID of media like HCART, 8mm, 4mm and so on.
RobotTypeName	varchar(255)	Y	N	Specifies the type name of media like HCART, 8mm, 4mm and so on, as defined in lookup_RobotType.
SerialNumber	varchar(255)	Y	N	Specifies serial number of the robot.
ServerName	long varchar	Y	N	Specifies name of the Master Server that is associated with the robot.
VolumeManagerHost	varchar(255)	Y	N	Specifies name of the vmHost.

nom_RobotCap

This database view provides the information about the robot capacity.

Column Name	Data Type	Nulls	Primary Key	Description
AvgFullTape	bigint	Y	N	Specifies average size of the full robot.
EmptySlots	integer	Y	N	Specifies count slot of robot that is not full.
FullSlots	integer	Y	N	Specifies count slot of the full robot.
HostGUID	integer	N	N	Specifies unique identifier for the Master Server that is associated with the robot.
MaxSlot	integer	Y	N	Specifies maximum number of slots that the device has.
RobotNumber	varchar(255)	N	N	Specifies a unique, logical identification number for the robot where the volume is located.
ServerName	long varchar	Y	N	Specifies name of the Master Server that is associated with the robot.

nom_Server

This database view provides the information about the Master Server.

Column Name	Data Type	Nulls	Primary Key	Description
DataCollectionEnabled	smallint	Y	N	Specifies License Data Collection is enabled or disabled. 1 signifies enabled.
FriendlyName	varchar(255)	Y	N	Specifies the display name of Master Server.
HardwareDescription	integer	Y	N	Specifies the description of the Master Server hardware.
HostGUID	integer	N	N	Specifies unique identifier for the Master Server.
HostName	varchar(255)	N	N	Specifies network name for the Master Server.
LastContact	bigint	Y	N	Specifies the time when the Master Server was last contacted.
LastContact_offset	integer	Y	N	Specifies offset from GMT in seconds as per the Master Server-specific Timezone.
OffsetFromGMT	varchar(22)	Y	N	Specifies offset from GMT in hours as per the Master Server-specific Timezone. (Example: 'GMT +8 hours')
Online	integer	Y	N	Specifies whether the Master Server is connected; 1 signifies 'Connected', 2 signifies 'Partially Connected' and 3 signifies 'Not Connected'.
OSDescription	varchar(255)	Y	N	Specifies name of the Operating System of the Master Server
PBXServiceID	integer	N	N	Specifies port on which the Master Server PBX is running
ServerName	long varchar	Y	N	Specifies name of the Master Server.
ServiceName	varchar(255)	N	N	Specifies network name of the Master Server.
Valid	bit	N	N	Specifies whether the Master Server is valid. 1 signifies that the Master Server is valid.

OpsCenter Database Functions

adjust_timestamp

In certain cases, timestamps are stored as a BIGINT, which is measured in 100s of nanoseconds since the beginning of the Gregorian epoch. You can use this function to convert this into a more human readable format (yyyy-mm-dd HH:mm:ss).

Parameter Name	Data Type	Parameter Mode	Description
inputTS	bigint	In	Time to be converted, which is measured in 100s of nanoseconds since the beginning of the Gregorian epoch.
offset	integer	In	Offset to be applied in milliseconds. (Example : for CST - 21600000)

Return Type

Data Type	Description
timestamp	This function will return date in 'yyyy-mm-dd HH:mm:ss' format.

caseInsensitiveComparission

This function is used to compare the two string values (comaprison is not case sensitive).

Parameter Name	Data Type	Parameter Mode	Description
value1	varchar(250)	In	Value to be compared.
value2	varchar(250)	In	Value to be compared.

Return Type

Data Type	Description
integer	This function returns 0 when the strings are equal, otherwise retruns 1.

cyc_formatDay

This function is used to convert the date to the 'YYYY-MM-DD' format. (Example : if we pass '2012-03-19 17:57:22.000' to function, we will get '2012-03-19')

Parameter Name	Data Type	Parameter Mode	Description
datestamp	datetime	In	Date to be converted.

Return Type

Data Type	Description
date	This function will return date in the 'YYYY-MM-DD' format.

cyc_formatMonth

This function is used to convert the date to the 'YYYY-MM-01' format. (Example : if we pass '2012-03-19 17:57:22.000' to function, we will get '2012-03-01')

Parameter Name	Data Type	Parameter Mode	Description
datestamp	datetime	In	Date to be converted.

Return Type

Data Type	Description
date	This function will return date in the 'YYYY-MM-01' format.

cyc_formatYear

This function is used to convert the date to the 'YYYY-01-01' format. (Example : if we pass '2012-03-19 17:57:22.000' to function, we will get '2012-01-01')

Parameter Name	Data Type	Parameter Mode	Description
datestamp	datetime	In	Date to be converted.

Return Type

Data Type	Description
date	This function will return date in the 'YYYY-01-01' format.

FN_SEPARATE_VALUES

This function is used to split the string and insert the split data in the given column.

Parameter Name	Data Type	Parameter Mode	Description
@tname	varchar(256)	In	Table in which data to be inserted.
@colname	varchar(256)	In	Column of the table in which data to be inserted.
@value	long varchar	In	String value to be splitted.
@separator	varchar(10)	In	Separator for splitting the string value.

Return Type

Data Type	Description
integer	This function always returns 0.

getDiskPoolReplication

This function is used to convert the 'flags' column of the 'nb_DiskPool' table for mapping with the 'lookup_Replication' table.

Parameter Name	Data Type	Parameter Mode	Description
@flags	integer	In	'flags' column of the 'nb_DiskPool'.

Return Type

Data Type	Description
integer	This function returns the value that can be directly mapped to the 'lookup_Replication' table.

getDiskVolumeReplication

This function is used to convert the 'flags' column of the 'nb_DiskVolume' table for mapping with the lookup_Replication table.

Parameter Name	Data Type	Parameter Mode	Description
@flags	integer	In	'flags' column of the 'nb_DiskVolume'.

Return Type

Data Type	Description
integer	This function returns the value that can be directly mapped to the 'lookup_Replication' table.

getDummyEntityIdByType

This function retruns the dummy value for that particular entity type.

Parameter Name	Data Type	Parameter Mode	Description
entityType	integer	In	Entity Type for which dummy value is required.

Return Type

Data Type	Description
integer	Dummy value for that entity type.

getDummyNonEntityIdByType

This function retruns the dummy value for that schedule ID and storage unit ID.

Parameter Name	Data Type	Parameter Mode	Description
nonEntityType	integer	In	1 for 'Schedule ID' and 2 for 'Storage Unit ID'.

Return Type

Data Type	Description
integer	Dummy value for that 'Schedule ID' and 'Storage Unit ID'.

getGregorianConstant

This function is used to get the "Unix epoch Time Value" in 100s of nanoseconds since the beginning of the Gregorian epoch.

Return Type

Data Type	Description
bigint	This function returns "Unix epoch Time Value" in 100s of nanoseconds since the beginning of the Gregorian epoch.

getGregorianUnixOffset

This function is used to get the "Unix epoch Time Value" in milliseconds since the beginning of the Gregorian epoch.

Return Type

Data Type	Description
bigint	This function returns "Unix epoch Time Value" in milliseconds since the beginning of the Gregorian epoch.

getInfiniteImageRetentionTime

This function is used to get the infinite image retention level time.

Return Type

Data Type	Description
bigint	This function returns infinite image retention level time in 100s of nanoseconds since the beginning of the Gregorian epoch.

getLocaleSpecificGenericMapping

This function is used to get the locale specific lookup value from the lookup table. (This function is normally used after installing the language pack)

Parameter Name	Data Type	Parameter Mode	Description
p_locale	varchar(255)	In	Locale in which lookup value need to be displayed (Example : for French 'fr', for Chinese 'zh', for Japanese 'ja')
p_Id	integer	In	Lookup value ID in the lookup table.
p_LookupTableName	varchar(255)	In	Lookup table name from which data to be retrieved.
p_LookupDisplayColumnName	varchar(255)	In	Display column of lookup table name from which data to be retrieved.

Return Type

Data Type	Description
varchar(255)	Localized value for that "lookup value ID" of lookup table.

isEmptyString

This function is used to check string is empty (NULL or " ") or not?

Parameter Name	Data Type	Parameter Mode	Description
inputString	varchar(255)	In	Value to be checked.

Return Type

Data Type	Description
bit	This function returns the 1 when string is empty, otherwise retruns 0.

NOM_DateDiff

This function is used to get the difference between two dates in seconds.

Parameter Name	Data Type	Parameter Mode	Description
date1	bigint	In	This is the first date field, which is measured in 100s of nanoseconds since the beginning of the Gregorian epoch.
date2	bigint	In	This is the second date field, which is measured in 100s of nanoseconds since the beginning of the Gregorian epoch.

Return Type

Data Type	Description
bigint	This function returns the difference between two dates (date2-date1) in seconds.

NOMTimeToUTCBigint

This function is used to convert the DateTime to BIGINT Time (100s of nanoseconds since the beginning of the Gregorian epoch).

Parameter Name	Data Type	Parameter Mode	Description
inputTS	datetime	In	This function considers that input DateTime is in the "Database Server Time Zone".

Return Type

Data Type	Description
bigint	This function returns Time in 100s of nanoseconds since the beginning of the Gregorian epoch.

reporting_day

This function is used to get the start date for reporting.

Parameter Name	Data Type	Parameter Mode	Description
c_date	timestamp	In	This function considers that input DateTime.
sord	integer	In	This function considers sord time(Start 24 Hour Day at) in the seconds.

Return Type

Data Type	Description
date	This function returns start date for reporting(in yyyy-mm-dd format).

UTCBigintToNOMTime

This function is used to convert the BIGINT Time (100s of nanoseconds since the beginning of the Gregorian epoch) to Timestamp (in the "Database Server Time Zone").

Parameter Name	Data Type	Parameter Mode	Description
inputTS	bigint	In	This function considers that input Time is in 100s of nanoseconds since the beginning of the Gregorian epoch.

Return Type

Data Type	Description
timestamp	This function returns Timestamp (in the "Database Server Time Zone").

UTCBigintToUTCTime

This function is used to convert the BIGINT Time (100s of nanoseconds since the beginning of the Gregorian epoch) to Timestamp (in "GMT").

Parameter Name	Data Type	Parameter Mode	Description
inputTS	bigint	In	This function considers that input Time is in 100s of nanoseconds since the beginning of the Gregorian epoch.

Return Type

Data Type	Description
timestamp	This function returns Timestamp (in "GMT").

UTCTimeToUTCBigInt

This function is used to convert the DateTime to BIGINT Time (100s of nanoseconds since the beginning of the Gregorian epoch).

Parameter Name	Data Type	Parameter Mode	Description
inputTS	datetime	In	This function considers that input DateTime is in the "GMT".

Return Type

Data Type	Description
bigint	This function returns Time in 100s of nanoseconds since the beginning of the Gregorian epoch.

OpsCenter Database Procedures

AllScheduledJobs

This procedure is used for the "Report Templates->Backup->Planning Activity->Planning Activity->All Jobs" report. This procedure returns data for the job-level details reconciling scheduled vs actual job runs.

Parameter Name	Data Type	Parameter Mode	Description
pageSize	integer	In	Specifies the maximum number of rows to be returned in the Result Set.
pageOffset	integer	In	Specifies the starting point of Result Set. (Example : If the page size is 100 and page offset is 2 then rows starting from 101 to 200 will be displayed.)
masterServerList	long varchar	In	Comma-separated values of Master Server IDs (Example : '66, 61 ')
clientList	long varchar	In	Comma-separated values of Client IDs (Example : '102, 63 ')
PolicyList	long varchar	In	Comma-separated values of Policy IDs (Example : '132, 64 ')
ScheduleList	long varchar	In	Comma-separated values of Schedule IDs (Example : '2, 103 ')
FilterJobsBy	integer	In	Filter Jobs By (All : -1, Jobs currently scheduled : 3, Jobs executed outside window : 2, Jobs executed within window : 1, Jobs without a schedule : 4)
viewType	integer	In	Type of view (Value is always '2', because for this report, only Master Server View is applicable)
viewFilterQueryString	long varchar	In	View filter values to be applied. (Example : ' IN (61,66) ')
startTime	bigint	In	Start time of the data to be displayed. (in 100s of nanoseconds since the beginning of the Gregorian epoch)
endTime	bigint	In	End time of the data to be displayed. (in 100s of nanoseconds since the beginning of the Gregorian epoch)
orderByColumn	varchar(255)	In	Column to be sorted. (Example : 'UPPER("PolicyName")' or can also be NULL)
isDescending	bit	In	Sorting order(ascending/descending) of the data. (Example : 1 or NULL means 'DESC' otherwise 'ASC')
timeZoneOffset	integer	In	Time Zone offset to be applied in milliseconds. (Example : for CST -21600000)
useMultipleOffset	bit	In	Change in the DST(Daylight Saving Time). (Example: the value is 1 when it is between start time and end time DST changes, otherwise it is 0)

BMRJobsAtRisk

This procedure is used for the "Report Templates->Client Reports->BMR Client Configuration Backup Failures" report. This procedure returns data for all jobs that failed to back up BMR client configuration, but the client data backup was partially or fully successful.

Parameter Name	Data Type	Parameter Mode	Description
pageSize	integer	In	Specifies the maximum number of rows to be returned in the Result Set.
pageOffSet	integer	In	Specifies the starting point of Result Set. (Example : If page size is 100 and page offset is 2 then rows starting from 101 to 200 will be displayed.)
masterServerList	long varchar	In	Comma-separated values of Master Server IDs (Example : '66, 61')
viewType	integer	In	Type of view (Value is always '2' for Master Server otherwise NULL)
viewFilterQueryString	long varchar	In	View filter values to be applied for Master Server. (Example : ' IN (61,66)')
startTime	bigint	In	Start time of the data to be displayed. (in 100s of nanoseconds since the beginning of the Gregorian epoch)
endTime	bigint	In	End time of the data to be displayed. (in 100s of nanoseconds since the beginning of the Gregorian epoch)
orderByColumn	varchar(255)	In	Column to be sorted (Example : 'UPPER("PolicyName")' or can also be NULL)
isDescending	bit	In	Sorting order(ascending/descending) of the data (Example : 1 or NULL means 'DESC' otherwise 'ASC')
timeZoneOffset	integer	In	Time Zone Offset to be applied in milliseconds. (Example : for CST -21600000)
useMultipleOffset	bit	In	Change in DST(Daylight Saving Time). (Example : is 1 when in between start time and end time DST changes, otherwise 0)
clientViewType	integer	In	Type of client view (Value is always '8' for Client Server otherwise NULL)
clientViewFilterQueryString	long varchar	In	View filter values to be applied for the Client View. (Example : ' IN (1,63)')

capacityplanning

This procedure is used for the "Report Templates->Backup->Planning Activity->Capacity Planning->Historical Size" report. This procedure returns historical data for comparing available and used media capacity in a tabular form.

Parameter Name	Data Type	Parameter Mode	Description
masterServerList	long varchar	In	Comma-separated values of Master Server IDs (Example : '66, 61')
diskPoolNameList	long varchar	In	Comma-separated values of Disk Pool Names
mediaTypeList	long varchar	In	Comma-separated values of Media Type IDs (Example : '4, 9')
volumePoolIdList	long varchar	In	Comma-separated values of Volume Pool IDs (Example : '2, 0')
volumePoolNameList	long varchar	In	Comma-separated values of Volume Pool Names (Example : 'CatalogBackup', 'DataStore')
productList	long varchar	In	This attribute is not used in the procedure.
libraryManufacturerList	long varchar	In	Comma-separated values of Tape Library Manufacturers (Example : 'ADIC', 'BNCHMARKVS640')
librarySerialNumberList	long varchar	In	Comma-separated values of Tape Library Serial Numbers (Example : '00X4U78E1665_LL0', '0883bb124669a098096548')
viewType	integer	In	Type of view (Value is always '2', because for this report only Master Server View is applicable)
viewFilterQueryString	long varchar	In	View filter values to be applied for Master Server. (Example : 'IN (61,66)')
startTime	bigint	In	Start time of the data to be displayed. (in 100s of nanoseconds since the beginning of the Gregorian epoch)
endTime	bigint	In	End time of the data to be displayed. (in 100s of nanoseconds since the beginning of the Gregorian epoch)
inc	integer	In	Time Frame Grouping : Time interval by which you want to group the records. (Example : for 10 days inc=10, for 2 weeks inc=2)
unit	integer	In	Time Frame Grouping : Time interval by which you want to group the records. (Example : for 10 days unit=3, for 2 weeks unit=4, for months 5, for years 7)

convertBigIntToTime

In certain cases, timestamps are stored as a BIGINT, which is measured in 100s of nanoseconds since the beginning of the Gregorian epoch. You can use this procedure to convert this into a more readable format (yyyy-mm-dd HH:mm:ss).

Parameter Name	Data Type	Parameter Mode	Description
inputTS	bigint	In	Time to be converted, which is measured in 100s of nanoseconds since the beginning of the Gregorian epoch.
offset	integer	In	Time Zone Offset to be applied in milliseconds. (Example : for CST -21600000)

getClientSummary

This procedure is used for the "Report Templates->Client Reports->Client Summary Dashboard" report. This procedure returns jobs data on various parameters per client.

Parameter Name	Data Type	Parameter Mode	Description
pageSize	integer	In	Specifies the maximum number of rows to be returned in the Result Set.
pageOffSet	integer	In	Specifies the starting point of Result Set. (Example : if page size is 100 and pageoffset is 2 then rows starting from 101 to 200 will be displayed.)
masterServerList	long varchar	In	Comma-separated values of Master Server IDs (Example : '66, 61')
viewType	integer	In	Type of view (Value is always '2' for Master Server otherwise NULL)
viewFilterQueryString	long varchar	In	View filter values to be applied for Master Server. (Example : ' IN (61,66)')
startTime	bigint	In	Start time of the data to be displayed. (in 100s of nanoseconds since the beginning of the Gregorian epoch)
endTime	bigint	In	End time of the data to be displayed. (in 100s of nanoseconds since the beginning of the Gregorian epoch)
orderByColumn	varchar(255)	In	Column to be sorted (Example : 'UPPER("PolicyName")' or can also be NULL)
isDescending	bit	In	Sorting order(ascending/descending) of the data (Example : 1 or NULL means 'DESC' otherwise 'ASC')
clientViewType	integer	In	Type of client view (Value is always '8' for Client Server otherwise NULL)
clientViewFilterQueryString	long varchar	In	View filter values to be applied for Client View. (Example : ' IN (1,63)')

getDiskUsage

This procedure is used for the "Report Templates->Performance Reports->Disk Usage" report. This procedure returns the data for disk utilization by master and media server.

Parameter Name	Data Type	Parameter Mode	Description
pageSize	integer	In	Specifies the maximum number of rows to be returned in the Result Set.
pageOffset	integer	In	Specifies the starting point of Result Set. (Example : if page size is 100 and page offset is 2 then rows starting from 101 to 200 will be displayed.)
masterServerList	long varchar	In	Comma-separated values of Master Server IDs (Example : '66, 61')
viewType	integer	In	Type of view (Value is always '2' for Master Server otherwise NULL)
viewFilterQueryString	long varchar	In	View filter values to be applied for Master Server. (Example : ' IN (61,66)')
startTime	bigint	In	Start time of the data to be displayed. (in 100s of nanoseconds since the beginning of the Gregorian epoch)
endTime	bigint	In	End time of the data to be displayed. (in 100s of nanoseconds since the beginning of the Gregorian epoch)
orderByColumn	varchar(255)	In	Column to be sorted (Example : 'UPPER("PolicyName")' or can also be NULL)
isDescending	bit	In	Sorting order(ascending/descending) of the data (Example : 1 or NULL means 'DESC' otherwise 'ASC')
locale	varchar(255)	In	This parameter is used to pass locale value (Example : 'en_US' for English, 'zh_CN' for Chinese, 'ja_JP' for Japanese and 'fr_FR' for French)

getDurationVariance

This procedure is used for the "Report Templates->Backup->Job Activity->Variance->Backup Duration Variance" report. This procedure returns data to show the percentage difference in backup duration and average backup duration of the past jobs with the same policy, schedule and client.

Parameter Name	Data Type	Parameter Mode	Description
pageSize	integer	In	Specifies the maximum number of rows to be returned in the Result Set.
pageOffSet	integer	In	Specifies the starting point of Result Set. (Example : if page size is 100 and page offset is 2 then rows starting from 101 to 200 will be displayed.)
percentageValue	integer	In	Filter Percentage Value (Example : 1 to 100)
viewType	integer	In	Type of view (Value is always '2', because for this report, only Master Server View is applicable)
viewFilterQueryString	long varchar	In	View filter values to be applied for Master Server. (Example : ' IN (61,66) ')
startTime	bigint	In	Start time of the data to be displayed. (in 100s of nanoseconds since the beginning of the Gregorian epoch)
endTime	bigint	In	End time of the data to be displayed. (in 100s of nanoseconds since the beginning of the Gregorian epoch)
orderByColumn	varchar(255)	In	Column to be sorted (Example : 'UPPER("PolicyName")' or can also be NULL)
isDescending	bit	In	Sorting order(ascending/descending) of the data (Example : 1 or NULL means 'DESC' otherwise 'ASC')
timeZoneOffset	integer	In	Time Zone Offset to be applied in milliseconds. (Example : for CST -21600000)
useMultipleOffset	bit	In	Change in DST (Daylight Saving Time). (Example : is 1 when in between start time and end time DST changes, otherwise 0)
masterServerValue	long varchar	In	Comma-separated values of Master Server IDs (Example : '66, 61 ')
scheduleType	varchar(256)	In	Comma-separated values of Schedule Type (Example : '0, 1 ')

getFileCountVariance

This procedure is used for the "Report Templates->Backup->Job Activity->Variance->File Count Variance" report. This procedure returns data for percentage difference in backup file count as compared to average backup file count of past jobs with same policy, schedule and client.

Parameter Name	Data Type	Parameter Mode	Description
pageSize	integer	In	Specifies the maximum number of rows to be returned in the Result Set.
pageOffSet	integer	In	Specifies the starting point of Result Set. (Example : if page size is 100 and pageoffset is 2 then rows starting from 101 to 200 will be displayed.)
percentageValue	integer	In	Filter Percentage Value (Example : 1 to 100)
viewType	integer	In	Type of view (Value is always '2', because for this report only Master Server View is applicable)
viewFilterQueryString	long varchar	In	View filter values to be applied for Master Server. (Example : ' IN (61,66) ')
startTime	bigint	In	Start time of the data to be displayed. (in 100s of nanoseconds since the beginning of the Gregorian epoch)
endTime	bigint	In	End time of the data to be displayed. (in 100s of nanoseconds since the beginning of the Gregorian epoch)
orderByColumn	varchar(255)	In	Column to be sorted (Example : 'UPPER("PolicyName")' or can also be NULL)
isDescending	bit	In	Sorting order(ascending/descending) of the data (Example : 1 or NULL means 'DESC' otherwise 'ASC')
timeZoneOffset	integer	In	Time Zone Offset to be applied in milliseconds. (Example : for CST -21600000)
useMultipleOffset	bit	In	Change in DST (Daylight Saving Time). (Example : is 1 when in between start time and end time DST changes, otherwise 0)
masterServerValue	long varchar	In	Comma-separated values of Master Server IDs (Example : '66, 61 ')
scheduleType	varchar(256)	In	Comma-separated values of Schedule Type (Example : '0, 1 ')

getJobSizeVariance

This procedure is used for the "Report Templates->Backup->Job Activity->Variance->Backup Job Size Variance" report. This procedure returns data for Client/Policy level detail on backup job size variations between last full backup and recent averages.

Parameter Name	Data Type	Parameter Mode	Description
pageSize	integer	In	Specifies the maximum number of rows to be returned in the Result Set.
pageOffSet	integer	In	Specifies the starting point of Result Set. (Example : if page size is 100 and pageoffset is 2 then rows starting from 101 to 200 will be displayed.)
percentageValue	integer	In	Filter Percentage Value (Example : 1 to 100)
viewType	integer	In	Type of view (Value is always '2', because for this report only Master Server View is applicable)
viewFilterQueryString	long varchar	In	View filter values to be applied for Master Server. (Example : ' IN (61,66) ')
startTime	bigint	In	Start time of the data to be displayed. (in 100s of nanoseconds since the beginning of the Gregorian epoch)
endTime	bigint	In	End time of the data to be displayed. (in 100s of nanoseconds since the beginning of the Gregorian epoch)
orderByColumn	varchar(255)	In	Column to be sorted (Example : 'UPPER("PolicyName")' or can also be NULL)
isDescending	bit	In	Sorting order(ascending/descending) of the data (Example : 1 or NULL means 'DESC' otherwise 'ASC')
timeZoneOffset	integer	In	Time Zone Offset to be applied in milliseconds. (Example : for CST -21600000)
useMultipleOffset	bit	In	Change in DST (Daylight Saving Time). (Example : is 1 when in between start time and end time DST changes, otherwise 0)
masterServerValue	long varchar	In	Comma-separated values of Master Server IDs (Example : '66, 61 ')
scheduleType	varchar(256)	In	Comma-separated values of Schedule Type (Example : '0, 1 ')

getMasterServerJobThroughput

This procedure is used for the "Report Templates->Performance Reports->Master Server Job Throughput" report. This procedure returns master server throughput data.

Parameter Name	Data Type	Parameter Mode	Description
pageSize	integer	In	Specifies the maximum number of rows to be returned in the Result Set.
pageOffset	integer	In	Specifies the starting point of Result Set. (Example : if page size is 100 and pageoffset is 2 then rows starting from 101 to 200 will be displayed.)
masterServerList	long varchar	In	Comma-separated values of Master Server IDs (Example : '66, 61')
viewType	integer	In	Type of view (Value is always '2', because for this report only Master Server View is applicable)
viewFilterQueryString	long varchar	In	View filter values to be applied for Master Server. (Example : ' IN (61,66)')
startTime	bigint	In	Start time of the data to be displayed. (in 100s of nanoseconds since the beginning of the Gregorian epoch)
endTime	bigint	In	End time of the data to be displayed. (in 100s of nanoseconds since the beginning of the Gregorian epoch)
orderByColumn	varchar(255)	In	Column to be sorted (Example : 'UPPER("PolicyName")' or can also be NULL)
isDescending	bit	In	Sorting order(ascending/descending) of the data (Example : 1 or NULL means 'DESC' otherwise 'ASC')
timeZoneOffset	integer	In	Time Zone Offset to be applied in milliseconds. (Example : for CST -21600000)
useMultipleOffset	bit	In	Change in DST (Daylight Saving Time). (Example : is 1 when in between start time and end time DST changes, otherwise 0)

getMediaServerJobThroughput

This procedure is used for the "Report Templates->Performance Reports->Media Server Job Throughput" report. This procedure returns media server throughput data.

Parameter Name	Data Type	Parameter Mode	Description
pageSize	integer	In	Specifies the maximum number of rows to be returned in the Result Set.
pageOffSet	integer	In	Specifies the starting point of Result Set. (Example : if page size is 100 and pageoffset is 2 then rows starting from 101 to 200 will be displayed.)
masterServerList	long varchar	In	Comma-separated values of Master Server IDs (Example : '66, 61')
viewType	integer	In	Type of view (Value is always '2', because for this report only Master Server View is applicable)
viewFilterQueryString	long varchar	In	View filter values to be applied for Master Server. (Example : ' IN (61,66)')
startTime	bigint	In	Start time of the data to be displayed. (in 100s of nanoseconds since the beginning of the Gregorian epoch)
endTime	bigint	In	End time of the data to be displayed. (in 100s of nanoseconds since the beginning of the Gregorian epoch)
orderByColumn	varchar(255)	In	Column to be sorted (Example : 'UPPER("PolicyName")' or can also be NULL)
isDescending	bit	In	Sorting order(ascending/descending) of the data (Example : 1 or NULL means 'DESC' otherwise 'ASC')
timeZoneOffset	integer	In	Time Zone Offset to be applied in milliseconds. (Example : for CST -21600000)
useMultipleOffset	bit	In	Change in DST (Daylight Saving Time). (Example : is 1 when in between start time and end time DST changes, otherwise 0)

getMediaSummaryByMediaServer

This procedure is used for the "Report Templates->Media Reports->Media Summary by Media Server" report.

Parameter Name	Data Type	Parameter Mode	Description
pageSize	integer	In	Specifies the maximum number of rows to be returned in the Result Set.
pageOffset	integer	In	Specifies the starting point of Result Set. (Example : if page size is 100 and pageoffset is 2 then rows starting from 101 to 200 will be displayed.)
viewType	integer	In	Type of view (Value is always '2', because for this report only Master Server View is applicable)
viewFilterQueryString	long varchar	In	View filter values to be applied for Master Server. (Example : ' IN (61,66) ')
orderByColumn	varchar(255)	In	Column to be sorted (Example : 'UPPER("PolicyName")' or can also be NULL)
isDescending	bit	In	Sorting order(ascending/descending) of the data (Example : 1 or NULL means 'DESC' otherwise 'ASC')
timeZoneOffset	integer	In	Time Zone Offset to be applied in milliseconds. (Example : for CST -21600000)
useMultipleOffset	bit	In	Change in DST (Daylight Saving Time). (Example : is 1 when in between start time and end time DST changes, otherwise 0)
masterServerList	long varchar	In	Comma-separated values of Master Server IDs (Example : '66, 61 ')

getNotBackedupClientList

This procedure is used for the "Report Templates->Client Reports->Clients Not Backed up" report. This procedure returns list of restore jobs of the given client.

Parameter Name	Data Type	Parameter Mode	Description
pageSize	integer	In	Specifies the maximum number of rows to be returned in the Result Set.
pageOffSet	integer	In	Specifies the starting point of Result Set. (Example : if page size is 100 and pageoffset is 2 then rows starting from 101 to 200 will be displayed.)
policyTypeList	long varchar	In	Comma-separated values of Policy Type IDs (Example : '3, 12 ')
masterServerList	long varchar	In	Comma-separated values of Master Server IDs (Example : '66, 61 ')
viewType	integer	In	Type of view (Value is always '2' for Master Server otherwise NULL)
viewFilterQueryString	long varchar	In	View filter values to be applied for Master Server. (Example : ' IN (61,66) ')
startTime	bigint	In	Start time of the data to be displayed. (in 100s of nanoseconds since the beginning of the Gregorian epoch)
endTime	bigint	In	End time of the data to be displayed. (in 100s of nanoseconds since the beginning of the Gregorian epoch)
orderByColumn	varchar(255)	In	Column to be sorted (Example : 'UPPER("PolicyName")' or can also be NULL)
isDescending	bit	In	Sorting order(ascending/descending) of the data (Example : 1 or NULL means 'DESC' otherwise 'ASC')
timeZoneOffset	integer	In	Time Zone Offset to be applied in milliseconds. (Example : for CST -21600000)
useMultipleOffset	bit	In	Change in DST (Daylight Saving Time). (Example : is 1 when in between start time and end time DST changes, otherwise 0)
clientViewType	integer	In	Type of client view (Value is always '8' for Client Server otherwise NULL)
clientViewFilterQueryString	long varchar	In	View filter values to be applied for Client View. (Example : ' IN (1,63) ')

getPolicySummaryDashBoard

This procedure is used for the "Report Templates->Policy Reports->Policy Summary Dashboard" report. This procedure returns size, throughput, job counts and success rate by master server, policy and policy type.

Parameter Name	Data Type	Parameter Mode	Description
pageSize	integer	In	Specifies the maximum number of rows to be returned in the Result Set.
pageOffSet	integer	In	Specifies the starting point of Result Set. (Example : if page size is 100 and pageoffset is 2 then rows starting from 101 to 200 will be displayed.)
masterServerList	long varchar	In	Comma-separated values of Master Server IDs (Example : '66, 61')
ispartialSuccessJob	bit	In	Filter Consider Partial Successful job as Successful (Example : 1 means 'Yes' otherwise 'No')
viewType	integer	In	Type of view (Value is always '2' for Master Server otherwise NULL)
viewFilterQueryString	long varchar	In	View filter values to be applied for Master Server. (Example : ' IN (61,66)')
startTime	bigint	In	Start time of the data to be displayed. (in 100s of nanoseconds since the beginning of the Gregorian epoch)
endTime	bigint	In	End time of the data to be displayed. (in 100s of nanoseconds since the beginning of the Gregorian epoch)
orderByColumn	varchar(255)	In	Column to be sorted (Example : 'UPPER("PolicyName")' or can also be NULL)
isDescending	bit	In	Sorting order(ascending/descending) of the data (Example : 1 or NULL means 'DESC' otherwise 'ASC')
masterServerOperator	varchar(10)	In	Operator to be applied on the Master Server Filter (Example : '!' means "=", 'X' means "!=" and 'C' means "Contains")
viewType1	integer	In	Type of client view (Value is always '8' for Client Server otherwise NULL)
viewFilterQueryString1	long varchar	In	View filter values to be applied for Client View. (Example : ' IN (1,63)')

getSlpBackLog

This procedure is used for the "Report Templates->Storage Lifecycle Policy->SLP Backlog" report. This procedure returns what the SLP backlog looks like against the image creation volume.

Parameter Name	Data Type	Parameter Mode	Description
slpName	long varchar	In	Comma-separated values of semicolon-separated Master Server ID and SLP Name (Example : '86121;AIR_Catalog', '86134;ss-tar')
masterServerList	long varchar	In	Comma-separated values of Master Server IDs (Example : '90992, 5694, 90983 ')
startTime	bigint	In	Start time of the data to be displayed. (in 100s of nanoseconds since the beginning of the Gregorian epoch)
endTime	bigint	In	End time of the data to be displayed. (in 100s of nanoseconds since the beginning of the Gregorian epoch)
time_group_unit	integer	In	Time Frame Grouping : Time interval by which you want to group the records. (Example : for 10 days unit=3, for 2 weeks unit=4, for months 5, for years 7)
time_group_inc	integer	In	Time Frame Grouping : Time interval by which you want to group the records. (Example : for 10 days inc=10, for 2 weeks inc=2)

getSlpCopyDetails

This procedure is used for "SLP Status By Image Copy" drill-down report. This procedure returns detailed information about image copies that are created by the SLP.

Parameter Name	Data Type	Parameter Mode	Description
pageSize	integer	In	Specifies the maximum number of rows to be returned in the Result Set.
pageOffSet	integer	In	Specifies the starting point of Result Set. (Example : if page size is 100 and pageoffset is 2 then rows starting from 101 to 200 will be displayed.)
masterServerList	long varchar	In	Comma-separated values of Master Server IDs (Example : '66, 61')
viewType	integer	In	Type of view (Value is always '2', because for this report only Master Server View is applicable)
viewFilterQueryString	long varchar	In	View filter values to be applied for Master Server. (Example : ' IN (61,66)')
startTime	bigint	In	Start time of the data to be displayed. (in 100s of nanoseconds since the beginning of the Gregorian epoch)
endTime	bigint	In	End time of the data to be displayed. (in 100s of nanoseconds since the beginning of the Gregorian epoch)
orderByColumn	long varchar	In	Column to be sorted (Example : 'UPPER("PolicyName")' or can also be NULL)
isDescending	bit	In	Sorting order(ascending/descending) of the data (Example : 1 or NULL means 'DESC' otherwise 'ASC')
timeZoneOffset	integer	In	Time Zone Offset to be applied in milliseconds. (Example : for CST -21600000)
useMultipleOffset	bit	In	Change in DST (Daylight Saving Time). (Example : is 1 when in between start time and end time DST changes, otherwise 0)
slpName	long varchar	In	Comma-separated values of semicolon-separated Master Server ID and SLP Name and SLP Version (Example : '100;test;0')
policyId	long varchar	In	Comma-separated values of Policy IDs (Example : '117, 123, 118, 119')
schedule	long varchar	In	Comma-separated values of Schedule IDs (Example : '67, 66, 64, 70, 65')
clientId	long varchar	In	Comma-separated values of Client IDs (Example : '147, 120, 100')
selector	varchar(255)	In	This attribute is not used in the procedure.
image	varchar(255)	In	Comma-separated values of Image Unique IDs (Example : 'edmqe024_1327302226', 'edmqe024_1327302227')
copyType	varchar(255)	In	Comma-separated values of SLP Operation IDs (Example : '1, 5, 4')
copyState	varchar(255)	In	Comma-separated values of SLP State IDs (Example : '2, 4, 9')
remoteMasterServer	varchar(5)	In	Replication for Remote Master Server (Example : '1' for "Yes")
copyFormat	varchar(5)	In	SLP Format (Example : 0 for "Undefined", 1 for "Tar", 2 for "Snapshot" and 3 for "NDMP")

getSlpCopySummary

This procedure is used for the "SLP Status By Destinations" drill-down report. This procedure returns summary for all the destinations that are defined in the SLP.

Parameter Name	Data Type	Parameter Mode	Description
pageSize	integer	In	Specifies the maximum number of rows to be returned in the Result Set.
pageOffSet	integer	In	Specifies the starting point of Result Set. (Example : if page size is 100 and pageoffset is 2 then rows starting from 101 to 200 will be displayed.)
masterServerList	long varchar	In	Comma-separated values of Master Server IDs (Example : '66, 61')
viewType	integer	In	Type of view (Value is always '2', because for this report only Master Server View is applicable)
viewFilterQueryString	long varchar	In	View filter values to be applied for Master Server. (Example : ' IN (61,66)')
startTime	bigint	In	Start time of the data to be displayed. (in 100s of nanoseconds since the beginning of the Gregorian epoch)
endTime	bigint	In	End time of the data to be displayed. (in 100s of nanoseconds since the beginning of the Gregorian epoch)
orderByColumn	long varchar	In	Column to be sorted (Example : 'UPPER("PolicyName")' or can also be NULL)
isDescending	bit	In	Sorting order(ascending/descending) of the data (Example : 1 or NULL means 'DESC' otherwise 'ASC')
slpName	long varchar	In	Comma-separated values of semicolon-separated separated Master Server ID and SLP Name and SLP Version (Example : '100;test;0')
copyType	varchar(255)	In	Comma-separated values of SLP Operation IDs (Example : '1, 5, 4')
remoteMasterServer	varchar(5)	In	Replication for Remote Master Server (Example : '1' for "Yes")

getSlpDuplicationProgress

This procedure is used for the "SLP Duplication Progress" drill-down report. This procedure returns data that shows how duplications are progressing across all destinations.

Parameter Name	Data Type	Parameter Mode	Description
slpName	varchar(255)	In	Semicolon-separated Master Server ID and SLP Name and SLP Version (Example : '100;test;0')
masterServerList	long varchar	In	Comma-separated values of Master Server IDs (Example : '66, 61')
startTime	bigint	In	Start time of the data to be displayed. (in 100s of nanoseconds since the beginning of the Gregorian epoch)
endTime	bigint	In	End time of the data to be displayed. (in 100s of nanoseconds since the beginning of the Gregorian epoch)

getSlpStatusSummary

This procedure is used for the "Report Templates->Storage Lifecycle Policy->SLP Status" report and (SLP Status By SLP, SLP Status By Client and SLP Status By Image) drill-down report. This procedure returns an overall summary of the SLP status and allows user to monitor the SLP progress by master server.

Parameter Name	Data Type	Parameter Mode	Description
pageSize	integer	In	Specifies the maximum number of rows to be returned in the Result Set.
pageOffSet	integer	In	Specifies the starting point of Result Set. (Example : if page size is 100 and pageoffset is 2 then rows starting from 101 to 200 will be displayed.)
masterServerList	long varchar	In	Comma-separated values of Master Server IDs (Example : '66, 61')
viewType	integer	In	Type of view (Value is always '2', because for this report only Master Server View is applicable)
viewFilterQueryString	long varchar	In	View filter values to be applied for Master Server. (Example : ' IN (61,66)')
startTime	bigint	In	Start time of the data to be displayed. (in 100s of nanoseconds since the beginning of the Gregorian epoch)
endTime	bigint	In	End time of the data to be displayed. (in 100s of nanoseconds since the beginning of the Gregorian epoch)
orderByColumn	long varchar	In	Column to be sorted (Example : 'UPPER("PolicyName")' or can also be NULL)
isDescending	bit	In	Sorting order(ascending/descending) of the data (Example : 1 or NULL means 'DESC' otherwise 'ASC')
timeZoneOffset	integer	In	Time Zone Offset to be applied in milliseconds. (Example : for CST -21600000)
useMultipleOffset	bit	In	Change in DST (Daylight Saving Time). (Example : is 1 when in between start time and end time DST changes, otherwise 0)
slpName	long varchar	In	Comma-separated values of semicolon-separated Master Server ID and SLP Name and SLP Version (Example : '100;test;0','100;test1;2')
policyId	long varchar	In	Comma-separated values of Policy IDs (Example : '117, 123, 118, 119')
schedule	long varchar	In	Comma-separated values of Schedule IDs (Example : '67, 66, 64, 70, 65')
clientId	long varchar	In	Comma-separated values of Client IDs (Example : '147, 120, 100')
selector	varchar(255)	In	Used for identifying the report (Example : 'none' for "SLP Status", 'SLP' for "SLP Status By SLP", 'IMAGE' for "SLP Status By Client" and 'CLIENT' for "SLP Status By Image")
slpComplete	varchar(255)	In	Comma-separated values of SLP Status IDs (Example : '0,1,2,9,10')
image	long varchar	In	Comma-separated values of Image Unique IDs (Example : 'edmqe024_1327302226', 'edmqe024_1327302227')

getStorageUnitUsage

This procedure is used for the "Report Templates->Performance Reports->Storage Unit Usage" report. This procedure returns storage unit utilization by master and media server.

Parameter Name	Data Type	Parameter Mode	Description
pageSize	integer	In	Specifies the maximum number of rows to be returned in the Result Set.
pageOffSet	integer	In	Specifies the starting point of Result Set. (Example : if page size is 100 and pageoffset is 2 then rows starting from 101 to 200 will be displayed.)
masterServerList	long varchar	In	Comma-separated values of Master Server IDs (Example : '66, 61 ')
viewType	integer	In	Type of view (Value is always '2', because for this report only Master Server View is applicable)
viewFilterQueryString	long varchar	In	View filter values to be applied for Master Server. (Example : ' IN (61,66) ')
startTime	bigint	In	Start time of the data to be displayed. (in 100s of nanoseconds since the beginning of the Gregorian epoch)
endTime	bigint	In	End time of the data to be displayed. (in 100s of nanoseconds since the beginning of the Gregorian epoch)
orderByColumn	varchar(255)	In	Column to be sorted (Example : 'UPPER("PolicyName")' or can also be NULL)
isDescending	bit	In	Sorting order(ascending/descending) of the data (Example : 1 or NULL means 'DESC' otherwise 'ASC')
locale	varchar(255)	In	This parameter is used to pass locale value (Example : 'en_US' for English, 'zh_CN' for Chinese, 'ja_JP' for Japanese and 'fr_FR' for French)

getThroughputVariance

This procedure is used for the "Report Templates->Backup->Job Activity->Variance->Throughput Variance" report. This procedure returns Client/Policy level detail on backup job throughput variations between last full backup and recent averages.

Parameter Name	Data Type	Parameter Mode	Description
pageSize	integer	In	Specifies the maximum number of rows to be returned in the Result Set.
pageOffSet	integer	In	Specifies the starting point of Result Set. (Example : if page size is 100 and pageoffset is 2 then rows starting from 101 to 200 will be displayed.)
percentageValue	integer	In	Filter Percentage Value (Example : 1 to 100)
viewType	integer	In	Type of view (Value is always '2', because for this report only Master Server View is applicable)
viewFilterQueryString	long varchar	In	View filter values to be applied for Master Server. (Example : ' IN (61,66) ')
startTime	bigint	In	Start time of the data to be displayed. (in 100s of nanoseconds since the beginning of the Gregorian epoch)
endTime	bigint	In	End time of the data to be displayed. (in 100s of nanoseconds since the beginning of the Gregorian epoch)
orderByColumn	varchar(255)	In	Column to be sorted (Example : 'UPPER("PolicyName")' or can also be NULL)
isDescending	bit	In	Sorting order(ascending/descending) of the data (Example : 1 or NULL means 'DESC' otherwise 'ASC')
timeZoneOffset	integer	In	Time Zone Offset to be applied in milliseconds. (Example : for CST -21600000)
useMultipleOffset	bit	In	Change in DST (Daylight Saving Time). (Example : is 1 when in between start time and end time DST changes, otherwise 0)
masterServerValue	long varchar	In	Comma-separated values of Master Server IDs (Example : '66, 61 ')
scheduleType	varchar(256)	In	Comma-separated values of Schedule Type (Example : '0, 1 ')

MediaServerThroughputPerDay

This procedure is used for the "Media Server Throughput per Day" drill-down report. This procedure returns throughput per day for a selected Media Servers.

Parameter Name	Data Type	Parameter Mode	Description
masterServerList	long varchar	In	Comma-separated values of Master Server IDs (Example : '66, 61')
mediaServerList	long varchar	In	Comma-separated values of Media Server IDs (Example : '66, 61')
viewType	integer	In	Type of view (Value is always '2', because for this report only Master Server View is applicable)
viewFilterQueryString	long varchar	In	View filter values to be applied for Master Server. (Example : ' IN (61,66)')
startTime	bigint	In	Start time of the data to be displayed. (in 100s of nanoseconds since the beginning of the Gregorian epoch)
endTime	bigint	In	End time of the data to be displayed. (in 100s of nanoseconds since the beginning of the Gregorian epoch)
timeZoneOffset	integer	In	Time Zone Offset to be applied in milliseconds. (Example : for CST -21600000)
useMultipleOffset	bit	In	Change in DST (Daylight Saving Time). (Example : is 1 when in between start time and end time DST changes, otherwise 0)
sord	integer	In	Start 24 Hour Day at (in seconds from 12:00:00AM)

report_success_failure

This procedure is used for Success Rate Line, Advanced Success Rate, Consecutive Failures Report and All Failed Backups reports

Parameter Name	Data Type	Parameter Mode	Description
view_filterQuery	long varchar	In	View filter values to be applied for Client View. (Example : ' IN (1,63) ')
viewType	varchar(255)	In	This attribute is not used in the procedure.
@masterServerList	long varchar	In	Comma-separated values of Master Server IDs (Example : '66, 61 ')
@view_name	varchar(255)	In	Used for identifying the report on (Always : 'masterServer' for "Master Server")
@view_filters	varchar(255)	In	This attribute is not used in the procedure.
@view_level_c	varchar(2)	In	This attribute is not used in the procedure.
@includePartialAsSuccessJob	bit	In	Filter Consider Partial Successful job as Successful (Example : 1 means 'Yes' otherwise 'No')
@exclude_codes	long varchar	In	Comma-separated values of Job Status Code's (Example : '2, 1, 0, -1, -9998 ')
@report_type	char(4)	In	Used for identifying the report type (Example : 'S' for "Success Rate Line", 'S' for "Advanced Success Rate", 'C' for "Consecutive Failures Report" and 'D' for "All Failed Backups")
@aggregation_level	long varchar	In	Filter Metric Type (Example : 'J' for "Job" and 'C' for "Client")
@metric_type	long varchar	In	Filter Aggregation Level (Example : 'A' for "All Jobs Success Rate", 'F' for "First Job Success rate" and 'L' for "Last Job Success Rate")
@group_by	char(4)	In	This attribute is always 'D'.
@bkup_scheduleType	long varchar	In	Filter Schedule/Level Type (Example : 'A' for "All", 'F' for "Full" and 'I' for "Incremental")
@timeframe_type	varchar(1)	In	This attribute is always 'A'.
@incr_days	long varchar	In	Comma seperated values Increment days (Example : '1, 2, 3, 6' where '1' for Sunday, '2' for Monday, '3' for Tuesday, '4' for Wednesday, '5' for Thursday, '6' for Friday and '7' for Saturday)
@incr_window_start_c	long varchar	In	Filter Increment Window Parameter (Example : '0' for '12:00 AM', '1' for '01:00 AM', '21' for "09:00 PM" and so on)
@incr_window_duration_c	long varchar	In	Filter Increment for Duration of (In Hours)
@full_days	long varchar	In	Comma seperated values Full days (Example : '1, 2, 3, 6' where '1' for Sunday, '2' for Monday, '3' for Tuesday, '4' for Wednesday, '5' for Thursday, '6' for Friday and '7' for Saturday)
@full_window_start_c	long varchar	In	Filter Full Window Parameter (Example : '0' for '12:00 AM', '1' for '01:00 AM', '21' for "09:00 PM" and so on)
@full_window_duration_c	long varchar	In	Filter Full for Duration of (In Hours)
@start_time_c	bigint	In	Start time of the data to be displayed. (in 100s of nanoseconds since the beginning of the Gregorian epoch)
@end_time_c	bigint	In	End time of the data to be displayed. (in 100s of nanoseconds since the beginning of the Gregorian epoch)
@relative_days_c	char(4)	In	This attribute is always '15'.
@incl_excl	char(4)	In	This attribute is not used in the procedure.
@exclude_policy	long varchar	In	Comma-separated values of Policy IDs (Example : '64, 62 ')

Parameter Name	Data Type	Parameter Mode	Description
@job_type	long varchar	In	Comma-separated values of Job Type IDs (Example : '1, 0, 25, 1024 ')
@consecutive_failures_c	char(6)	In	Filter Consecutive Failures (Used only for Consecutive Failures Report)
@dst_offset	bigint	In	Time Zone Offset to be applied in milliseconds. (Example : for CST -21600000)
useMultipleOffset	bit	In	Change in DST (Daylight Saving Time). (Example : is 1 when in between start time and end time DST changes, otherwise 0)
@pageSize	integer	In	Specifies the maximum number of rows to be returned in the Result Set.
@pageOffset	integer	In	Specifies the starting point of Result Set. (Example : if page size is 100 and pageoffset is 2 then rows starting from 101 to 200 will be displayed.)
@report_view_type	char(4)	In	Used for identifying the report view type (Example : 'L' for "Success Rate Line", 'T' for other reports)
@time_group_inc	integer	In	Time Frame Grouping : Time interval by which you want to group the records. (is Always '1' for these report)
@time_group_unit	integer	In	Time Frame Grouping : Time interval by which you want to group the records. (Example : '3' for "Days", '9' for "Hours of day Average")
orderByColumn	long varchar	In	Column to be sorted (Example : 'UPPER("PolicyName")' or can also be NULL)
isDescending	bit	In	Sorting order(ascending/descending) of the data (Example : 1 or NULL means 'DESC' otherwise 'ASC')
@view_tree_id	integer	In	Tree ID for Client View
@exclude_codes_operator	varchar(10)	In	Operator to be applied on the Job Status Code Filter (Example : 'I' means "=", 'X' means "!=")
masterServer_viewType	varchar(255)	In	This attribute is not used in the procedure.
masterServer_viewfilter Query	long varchar	In	View filter values to be applied for Master Server. (Example : ' IN (61,66) ')
masterServer_view_tree_id	integer	In	Tree ID for Master Server View

sp_report_drive_data

This procedure is used for "Drive Throughput" and "Drive Utilization" reports. This procedure returns the data in html format.

Parameter Name	Data Type	Parameter Mode	Description
@report_format	long varchar	In	This attribute is always 'H'.
@report_type	long varchar	In	Used for identifying the report (Example : 'Throughput' for "Drive Throughput", 'Utilization' for "Drive Utilization")
@library	long varchar	In	Comma-separated values of Tape Library Serial Number's (Example : '1790b28c6b49a098096548', '183cf73c6a53a098096548')
@media_server	long varchar	In	Comma-separated values of Media Server IDs (Example : '66, 61')
@tape_drive	long varchar	In	Comma-separated values of semicolon-separated Master Server ID and Tape Drive Name (Example : '66;AUWEIDRV4', '61;AUWEIDRV2')
@timeframe_type	char(1)	In	This attribute is not used in the procedure.
@interval	integer	In	This attribute is always '1'.
@start_time	bigint	In	Start time of the data to be displayed. (in 100s of nanoseconds since the beginning of the Gregorian epoch)
@end_time	bigint	In	End time of the data to be displayed. (in 100s of nanoseconds since the beginning of the Gregorian epoch)
@util_ranges	long varchar	In	Color Code Ranges (Example : '1000,2000,4000')
@aggregation_level	long varchar	In	Used for identifying the report on (Example : 'default' for "Default", 'mediaServer' for "Media Server", 'tapeDriveName' for "Tape Drive Name", 'tapeDriveType' for "Tape Drive Type" and 'tapeLibraryUniqueID' for "Tape Library Unique ID")
@job_type	long varchar	In	Comma-separated values of Job Type IDs (Example : '1, 0, 25, 1024')
@job_level	long varchar	In	Comma-separated values of Schedule Type IDs (Example : '1, 0, 7')
@incl_excl_policy	char(1)	In	This attribute is not used in the procedure.
@policies	long varchar	In	Comma-separated values of Policy IDs (Example : '64, 62')
@timeFrameGroupByIncrement	integer	In	Time Frame Grouping : Time interval by which you want to group the records. (is Always '1' for these report)
@timeFrameGroupByUnit	integer	In	Time Frame Grouping : Time interval by which you want to group the records. (Example : '3' for "Days", '9' for "Hours of day Average")
@sortOrder	integer	In	Sorting order(ascending/descending) of the data (Example : '1' for "Descending", '0' for "Ascending" and '-1' for "None")
@drive_type	long varchar	In	This attribute is not used in the procedure.
@viewType	integer	In	This attribute is not used in the procedure.
@viewFilterQuery	long varchar	In	View filter values to be applied for Master Server. (Example : ' IN (61,66) ')

sp_risk_analysis

This procedure is used for the "Report Templates->Client Reports->Risk Analysis->Client Risk Analysis" report. This procedure returns all client/policy combinations whose last successful backup occurred x many hours/days back.

Parameter Name	Data Type	Parameter Mode	Description
@viewType	integer	In	This attribute is not used in the procedure.
@masterServerViewFilterQueryString	long varchar	In	View filter values to be applied for Master Server. (Example : ' IN (61,66) '
@backup_level	long varchar	In	Comma-separated values of Schedule Type IDs (Example : '0, 5')
@backup_status	long varchar	In	Comma-separated values of Job Status IDs (Example : '1, 0')
@start_Time	bigint	In	Start time of the data to be displayed. (in 100s of nanoseconds since the beginning of the Gregorian epoch)
@end_Time	bigint	In	End time of the data to be displayed. (in 100s of nanoseconds since the beginning of the Gregorian epoch)
@active_attr_name	varchar(255)	In	This attribute is not used in the procedure.
@active_attr_value	varchar(255)	In	Client is Active (Example : '1' for "Yes", '0' for "No")
orderByColumn	long varchar	In	Column to be sorted (Example : 'UPPER("PolicyName")' or can also be NULL)
isDescending	bit	In	Sorting order(ascending/descending) of the data (Example : 1 or NULL means 'DESC' otherwise 'ASC')
timeZoneOffset	integer	In	Time Zone Offset to be applied in milliseconds. (Example : for CST -21600000)
useMultipleOffset	bit	In	Change in DST (Daylight Saving Time). (Example : is 1 when in between start time and end time DST changes, otherwise 0)
@masterServerFilter	long varchar	In	Comma-separated values of Master Server IDs (Example : '66, 61')
pageSize	integer	In	Specifies the maximum number of rows to be returned in the Result Set.
pageOffSet	integer	In	Specifies the starting point of Result Set. (Example : if page size is 100 and pageoffset is 2 then rows starting from 101 to 200 will be displayed.)
@tree_type1	integer	In	This attribute is not used in the procedure.
@clientViewFilterQueryString	long varchar	In	View filter values to be applied for Client View. (Example : ' IN (1,63) '

sp_workload_analyzer

This procedure is used for the "Report Templates->Workload Analyzer" reports. This procedure returns the data in html format.

Parameter Name	Data Type	Parameter Mode	Description
@report_type	varchar(20)	In	Used for identifying the report (Example : 'Job Count' for "Job Count Workload Analyzer", 'Job Size' for "Job Size Workload Analyzer", 'Job Queue' for "Job Queue Workload Analyzer" and 'Job Throughput' for "Job Throughput Workload Analyzer")
@report_basis	varchar(10)	In	Work Load Time Basis (Example : 'Start' or 'End' or 'Active')
@report_on	long varchar	In	Used for identifying the report on (Example : 'client' for "Client Name", 'exitStatus' for "Job Status", 'jobTransportType' for "Job Transport Type", 'jobType' for "Job Type", 'masterServer' for "Master Server", 'mediaServer' for "Media Server", 'policy' for "Policy Name", 'policyType' for "Media Server", 'mediaServer' for "Policy Type", 'jobLevel' for "Schedule/Level Type", 'schedule' for "Schedule Name", 'jobExitCode' for "Status Code" and 'storageUnitName' for "Storage Unit Name")
@tree_type	integer	In	Type of view (Value is always '2' for Master Server otherwise NULL)
@view_filterQuery	long varchar	In	View filter values to be applied. (Example : ' IN (61,66) ')
@view_tree_id	varchar(10)	In	Tree ID for Master Server View
@start_time_c	bigint	In	Start time of the data to be displayed. (in 100s of nanoseconds since the beginning of the Gregorian epoch)
@end_time_c	bigint	In	End time of the data to be displayed. (in 100s of nanoseconds since the beginning of the Gregorian epoch)
@job_status	long varchar	In	Comma-separated values of Job Status IDs (Example : '3, 2, 1, 0')
@job_level	long varchar	In	Comma-separated values of Schedule Type IDs (Example : '1, 0, 7')
@codes	long varchar	In	Comma-separated values of Job Status Code's (Example : '2, 1, 0, -1, -9998')
@incl_excl_code	char(1)	In	Operator to be applied on the Job Status Code Filter (Example : 'I' means "=", 'X' means "!=")
@policies	long varchar	In	Comma-separated values of Policy IDs (Example : '64, 62')
@incl_excl_policy	char(1)	In	Operator to be applied on the Policy Name Filter (Example : 'I' means "=", 'X' means "!=")
@schedules	long varchar	In	Comma-separated values of Schedule IDs (Example : '2, 1')
@incl_excl_schedule	char(1)	In	Operator to be applied on the Schedule Name Filter (Example : 'I' means "=", 'X' means "!=")
@policy_type	long varchar	In	Comma-separated values of Policy Type IDs (Example : '64, 62')
@job_type	long varchar	In	Comma-separated values of Job Type IDs (Example : '1, 0, 25, 1024')
@transport_type	long varchar	In	Comma-separated values of Transport Type IDs (Example : '1, 0, -1')
@storageunit_id	long varchar	In	Comma-separated values of Storage Unit IDs (Example : '2, 1')
@master_server	long varchar	In	Comma-separated values of Master Server IDs (Example : '66, 61')
@media_server	long varchar	In	Comma-separated values of Media Server IDs (Example : '66, 61')
@client_name	long varchar	In	Comma-separated values of Client IDs (Example : '5466, 4148')
@product_name	long varchar	In	This attribute is not used in the procedure.

Parameter Name	Data Type	Parameter Mode	Description
@duration_threshold_c	long varchar	In	Duration Threshold (Example : '1000')
@util_ranges	long varchar	In	Color Code Ranges (Example : '10,50,100')
@sortOrder	integer	In	Sorting order(ascending/descending) of the data (Example : '1' for "Descending", '0' for "Ascending" and '-1' for "None")
@timeZoneOffset	integer	In	Time Zone Offset to be applied in milliseconds. (Example : for CST -21600000)
@useMultipleOffset	bit	In	Change in DST (Daylight Saving Time). (Example : is 1 when in between start time and end time DST changes, otherwise 0)
@tree_type1	integer	In	Type of client view (Value is always '8' for Client Server otherwise NULL)
@view_filterQuery1	long varchar	In	View filter values to be applied for Client View. (Example : ' IN (1,63) ')
@view_tree_id1	varchar(10)	In	Tree ID for Client View
@locale	varchar(255)	In	This parameter is used to pass locale value (Example : 'en_US' for English, 'zh_CN' for Chinese, 'ja_JP' for Japanese and 'fr_FR' for French)
@pageSize	integer	In	Specifies the maximum number of rows to be returned in the Result Set.
@pageOffset	integer	In	Specifies the starting point of Result Set. (Example : if page size is 100 and pageoffset is 2 then rows starting from 101 to 200 will be displayed.)
@job_type_operator	varchar(10)	In	Operator to be applied on the Job Type Filter (Example : 'I' means "=", 'X' means "!=")
@isstorageunit_snapshot	varchar(10)	In	Storage Unit configured for Snapshots (Example : '0' for "No", '1' for "Yes" and '-1' for "--")

sp_workload_analyzer_drilldown

This procedure is used for the "Report Templates->Workload Analyzer" drill-down reports.

Parameter Name	Data Type	Parameter Mode	Description
@report_basis	varchar(10)	In	Work Load Time Basis (Example : 'Start' or 'End' or 'Active')
@tree_type	integer	In	This attribute is not used in the procedure.
@view_filterQuery	long varchar	In	View filter values to be applied. (Example : ' IN (61,66) '
@start_time_c	bigint	In	Start time of the data to be displayed. (in 100s of nanoseconds since the beginning of the Gregorian epoch)
@end_time_c	bigint	In	End time of the data to be displayed. (in 100s of nanoseconds since the beginning of the Gregorian epoch)
@job_status	long varchar	In	Comma-separated values of Job Status IDs (Example : '3, 2, 1, 0')
@job_level	long varchar	In	Comma-separated values of Schedule Type IDs (Example : '1, 0, 7')
@codes	long varchar	In	Comma-separated values of Job Status Code's (Example : '2, 1, 0, -1, -9998')
@incl_excl_code	char(1)	In	Operator to be applied on the Job Status Code Filter (Example : 'I' means "=", 'X' means "!=")
@policies	long varchar	In	Comma-separated values of Policy IDs (Example : '64, 62')
@incl_excl_policy	char(1)	In	Operator to be applied on the Policy Name Filter (Example : 'I' means "=", 'X' means "!=")
@schedules	long varchar	In	Comma-separated values of Schedule IDs (Example : '2, 1')
@incl_excl_schedule	char(1)	In	Operator to be applied on the Schedule Name Filter (Example : 'I' means "=", 'X' means "!=")
@policy_type	long varchar	In	Comma-separated values of Policy Type IDs (Example : '64, 62')
@job_type	long varchar	In	Comma-separated values of Job Type IDs (Example : '1, 0, 25, 1024')
@transport_type	long varchar	In	Comma-separated values of Transport Type IDs (Example : '1, 0, -1')
@storageunit_id	long varchar	In	Comma-separated values of Storage Unit IDs (Example : '2, 1')
@master_server	long varchar	In	Comma-separated values of Master Server IDs (Example : '66, 61')
@media_server	long varchar	In	Comma-separated values of Media Server IDs (Example : '66, 61')
@client_name	long varchar	In	Comma-separated values of Client IDs (Example : '5466, 4148')
@product_name	long varchar	In	This attribute is not used in the procedure.
@duration_threshold_c	long varchar	In	Duration Threshold (Example : '1000')
@pageSize	integer	In	Specifies the maximum number of rows to be returned in the Result Set.
@pageOffset	integer	In	Specifies the starting point of Result Set. (Example : if page size is 100 and pageoffset is 2 then rows starting from 101 to 200 will be displayed.)
@orderByColumn	long varchar	In	Column to be sorted (Example : 'UPPER("PolicyName")' or can also be NULL)
@isDescending	bit	In	Sorting order(ascending/descending) of the data (Example : '1' for "Descending", '0' for "Ascending" and '-1' for "None")
timeZoneOffset	integer	In	Time Zone Offset to be applied in milliseconds. (Example : for CST -21600000)

Parameter Name	Data Type	Parameter Mode	Description
useMultipleOffset	bit	In	Change in DST (Daylight Saving Time). (Example : is 1 when in between start time and end time DST changes, otherwise 0)
@report_type	varchar(20)	In	Used for identifying the report (Example : '*' for "Job Count Workload Analyzer" and "Job Size Workload Analyzer", 'JOB QUEUE' for "Job Queue Workload Analyzer" and 'JOB THROUGHPUT' for "Job Throughput Workload Analyzer")
@tree_type1	integer	In	This attribute is not used in the procedure.
@view_filterQuery1	long varchar	In	View filter values to be applied for Client View. (Example : ' IN (1,63) ')
@locale	varchar(255)	In	This parameter is used to pass locale value (Example : 'en_US' for English, 'zh_CN' for Chinese, 'ja_JP' for Japanese and 'fr_FR' for French)
@job_type_operator	varchar(10)	In	Operator to be applied on the Job Type Filter (Example : 'I' means "=", 'X' means "!=")
@isstorageunit_snapshot	varchar(10)	In	Storage Unit cofigured for Snapshots (Example : '0' for "No", '1' for "Yes" and '-1' for "--")

virtualclientsummary

This procedure is used for the "Report Templates->Client Reports->Virtual Client Summary" report. This procedure returns details of the VMware or HyperV servers that are configured with NetBackup. It also shows whether these virtual machines are protected by NetBackup or not.

Parameter Name	Data Type	Parameter Mode	Description
pageSize	integer	In	Specifies the maximum number of rows to be returned in the Result Set.
pageOffSet	integer	In	Specifies the starting point of Result Set. (Example : if page size is 100 and pageoffset is 2 then rows starting from 101 to 200 will be displayed.)
masterServerList	long varchar	In	Comma-separated values of Master Server IDs (Example : '66, 61')
masterServerOperator	varchar(10)	In	Operator to be applied on the Master Server Filter (Example : '!' means "=", 'X' means "!=" and 'C' means "Contains")
masterServerViewType	integer	In	Type of view (Value is always '2' for Master Server otherwise NULL)
masterViewFilterQueryString	long varchar	In	View filter values to be applied for Master Server. (Example : ' IN (61,66)')
orderByColumn	long varchar	In	Column to be sorted (Example : 'UPPER("PolicyName")' or can also be NULL)
isDescending	bit	In	Sorting order(ascending/descending) of the data (Example : 1 or NULL means 'DESC' otherwise 'ASC')
timeZoneOffset	integer	In	Time Zone Offset to be applied in milliseconds. (Example : for CST -21600000)
useMultipleOffset	bit	In	Change in DST (Daylight Saving Time). (Example : is 1 when in between start time and end time DST changes, otherwise 0)
clientViewType	integer	In	Type of client view (Value is always '8' for Client Server otherwise NULL)
clientViewFilterQueryString	long varchar	In	View filter values to be applied for Client View. (Example : ' IN (1,63)')

Index

- adjust_timestamp
- AllScheduledJobs
- audit_Key
- audit_Record
- audit_RecordAttribute
- audit_UserIdentity
- BMRJobsAtRisk
- capacityPlanning
- caseInsensitiveComparison
- convertBigIntToTime
- cyc_formatDay
- cyc_formatMonth
- cyc_formatYear
- domain_Client
- domain_ClientImageCollectionLevel
- domain_DataClassification
- domain_DiskPool
- domain_DiskPoolHistory
- domain_Entity
- domain_EntityAlias
- domain_FileSystem
- domain_Image
- domain_ImageCopy
- domain_ImageCopyFormat
- domain_ImageFragment
- domain_Job
- domain_JobArchive
- domain_JobImage
- domain_Log
- domain_MasterServer
- domain_Media
- domain_MediaHistory
- domain_MediaServer
- domain_ParentJob
- domain_Policy
- domain_PolicyClient
- domain_ReconciledJob
- domain_ReconciledJobArchive
- domain_Schedule
- domain_ScheduleCalendar
- domain_ScheduledJob
- domain_ScheduleWindow
- domain_SkippedFileArchive
- domain_SLPIImage
- domain_SLPIImageCopy
- domain_TapeDrive
- domain_TapeDriveHistory
- domain_TapeDriveMap
- domain_TapeLibrary
- FN_SEPARATE_VALUES
- getClientSummary
- getDiskPoolReplication
- getDiskUsage
- getDiskVolumeReplication
- getDummyEntityIdByType
- getDummyNonEntityIdByType
- getDurationVariance
- getFileCountVariance
- getGregorianConstant
- getGregorianUnixOffset
- getInfiniteImageRetentionTime
- getJobSizeVariance
- getLocaleSpecificGenericMapping
- getMasterServerJobThroughput
- getMediaServerJobThroughput
- getMediaSummaryByMediaServer
- getNotBackedupClientList
- getPolicySummaryDashBoard
- getSlpBackLog
- getSlpCopyDetails
- getSlpCopySummary
- getSlpDuplicationProgress
- getSlpStatusSummary
- getStorageUnitUsage
- getThroughputVariance
- HistoricalData
- isEmptyString
- lookup_AuditAttribute
- lookup_AuditAttributeType
- lookup_AuditCategory
- lookup_AuditMessage
- lookup_AuditOperation
- lookup_AuditSubCategory
- lookup_BackupCopyMethod
- lookup_BackupType
- lookup_CalendarType
- lookup_CapacityPlanning
- lookup_ClientStatus
- lookup_CollectionLevel
- lookup_CompressionType
- lookup_ControlMode
- lookup_CopyFormat
- lookup_CopyState
- lookup_DataClassification
- lookup_DataCollectionStatus
- lookup_DataCollectorType
- lookup_DataMoverType
- lookup_DataType
- lookup_DensityType
- lookup_DiskPoolStatus
- lookup_DiskPoolType
- lookup_DiskVolumeStatus
- lookup_DomainType
- lookup_DriveReachableState
- lookup_DriveStatus
- lookup_DriveType
- lookup_EntityType
- lookup_FatServiceState
- lookup_HostType
- lookup_ImageTIRStatus
- lookup_ImageType
- lookup_JobOperationType
- lookup_JobState
- lookup_JobStatus
- lookup_JobStatusCode
- lookup_JobSubType
- lookup_JobType
- lookup_MasterServerStatus
- lookup_MediaRole
- lookup_MediaStatus
- lookup_MediaSubType
- lookup_MediaType
- lookup_MemberState

- lookup_OffHostType
- lookup_OS
- lookup_PathStatus
- lookup_PolicyEncryptionType
- lookup_PolicyStatus
- lookup_PolicyType
- lookup_PoolType
- lookup_Product
- lookup_ProductVersion
- lookup_QueuedReason
- lookup_ReconciledJobType
- lookup_Replication
- lookup_RetentionLevelUnit
- lookup_RetentionUnit
- lookup_RobotType
- lookup_ScheduleLevelType
- lookup_ScheduleType
- lookup_ServiceState
- lookup_ServiceType
- lookup_SLPState
- lookup_StorageServerState
- lookup_StorageServiceRetentionLevel
- lookup_StorageServiceRetentionType
- lookup_StorageServiceSecondaryOperation
- lookup_StorageServiceUsageType
- lookup_StorageUnitGroupSelectionMethod
- lookup_StorageUnitType
- lookup_TapeLibrarySlotCountStatus
- lookup_TIRInfoType
- lookup_TIRStatus
- lookup_TransportType
- lookup_VirtualHostType
- managedObject_EntityAttribute
- managedObject_EntityAttributeValue
- MediaServerThroughputPerDay
- nb_BMRJobsStatusArchive
- nb_CatalogBackup
- nb_ClientOffline
- nb_DeviceUsageArchive
- nb_DiskPool
- nb_DiskVolume
- nb_DiskVolumeHistory
- nb_FatClient
- nb_FatInitiatorDevice
- nb_FatPipe
- nb_FatServer
- nb_FatTargetDevice
- nb_Job
- nb_JobArchive
- nb_JobAttempt
- nb_JobAttemptArchive
- nb_JobAttemptLog
- nb_JobBackupAttributes
- nb_JobBackupAttributesArchive
- nb_JobDbInstanceArchive
- nb_JobFiles
- nb_JobFilesArchive
- nb_JobProcessAttribute
- nb_JobProcessAttributeArchive
- nb_Media
- nb_Policy
- nb_PolicyCatalogDR
- nb_RetentionLevel
- nb_Robot
- nb_RobotPath
- nb_Service
- nb_SLPBackLogSummary
- nb_StorageServer
- nb_StorageServiceDestInfo
- nb_StorageServiceInfo
- nb_StorageUnit
- nb_StorageUnitGroup
- nb_StorageUnitsInGroup
- nb_SummaryMedia
- nb_TapeDrive
- nb_TapeDrivePath
- nb_TapeDrivePendingRequests
- nb_VaultedMediaSummary
- nb_VirtualMachines
- nb_VolumeGroup
- nb_VolumePool
- NOM_DateDiff
- nom_Drive
- nom_Driveusage
- nom_JobAverages
- nom_JobVariance
- nom_NBClientNotBackedUp30Day
- nom_NBClientNotBackedUp7Day
- nom_NBColdCatalogBackup
- nom_NBJob
- nom_NBJobAttempt
- nom_NBJobAttemptPassRate
- nom_NBJobClient
- nom_NBJobPassRate
- nom_NBJobVariance
- nom_NBMedia
- nom_NBMediaFullTapeCap
- nom_NBMediaState
- nom_NBMediaSummary
- nom_NBPolicy
- nom_NBPolicyChange
- nom_NBPolicyClient
- nom_NBVolume
- nom_Robot
- nom_RobotCap
- nom_Server
- NOMTimeToUTCBigint
- report_success_failure
- reporting_day
- sp_report_drive_data
- sp_risk_analysis
- sp_workload_analyzer
- sp_workload_analyzer_drilldown
- TaskContext
- TaskMessage
- UTCBigintToNOMTime
- UTCBigintToUTCTime
- UTCTimeToUTCBigInt
- view_Group
- view_Node
- view_NodeType
- view_Tree
- view_TreeAccessGroup
- view_TreeAccessUser
- view_TreeLevelAlias
- view_TreeType

- view_UserGroup
- virtualclientsummary